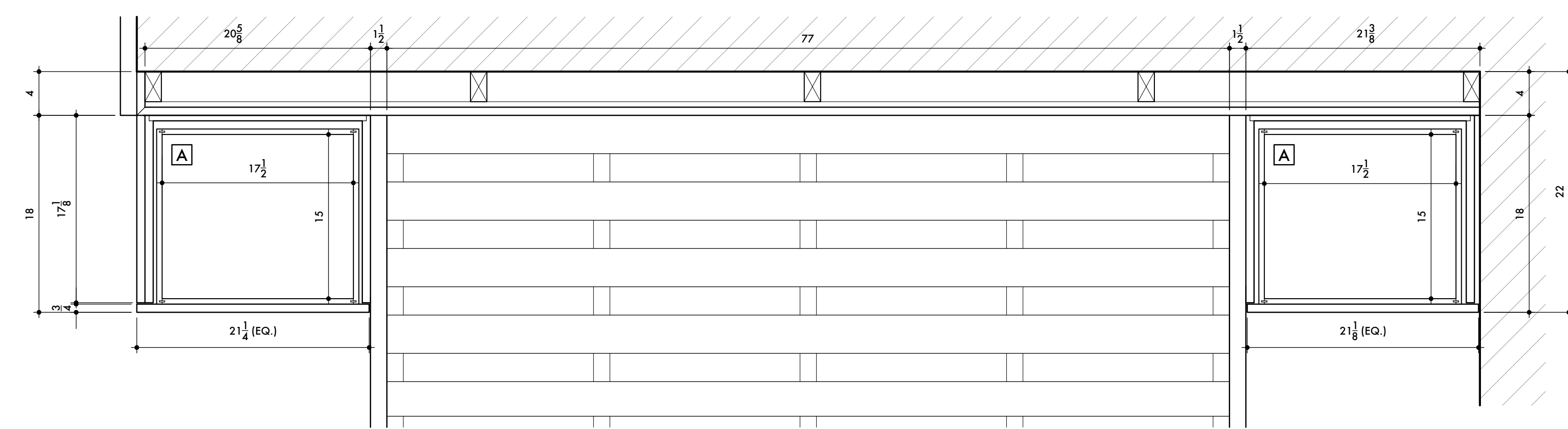
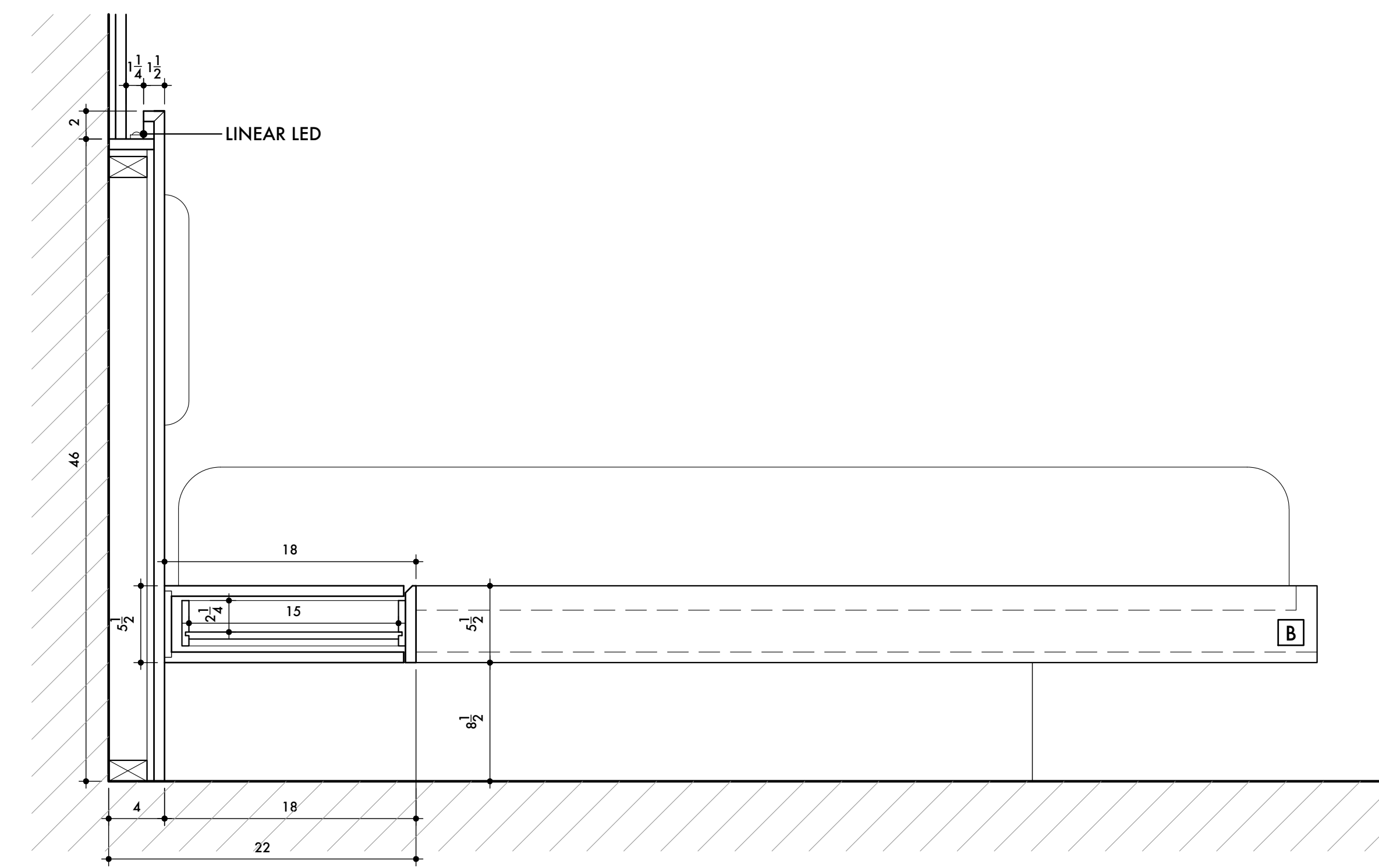


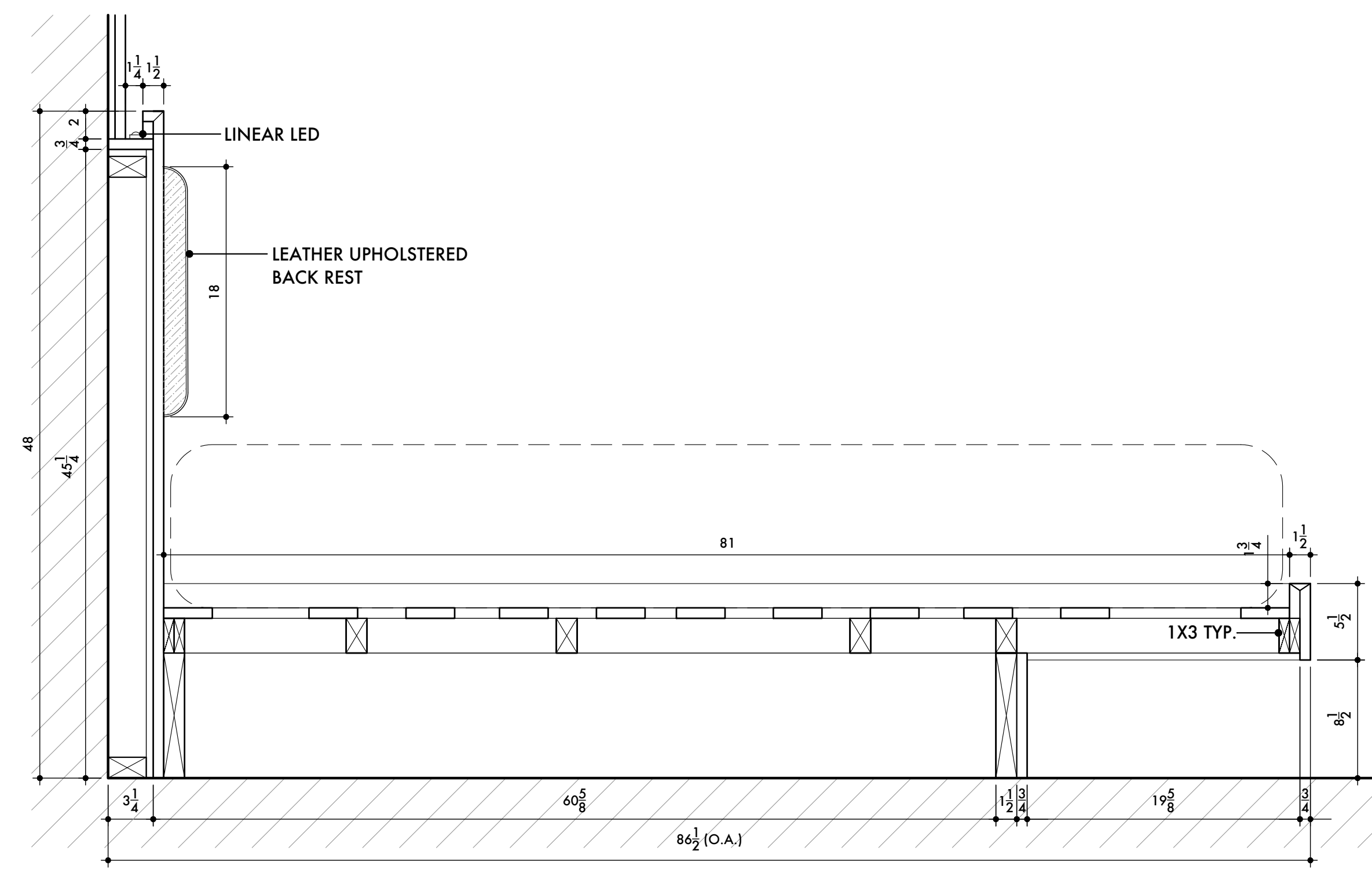
03 MASTER BEDROOM: SOUTH WALL (FRONT)
SCALE: 1-1/2" = 1'-0"



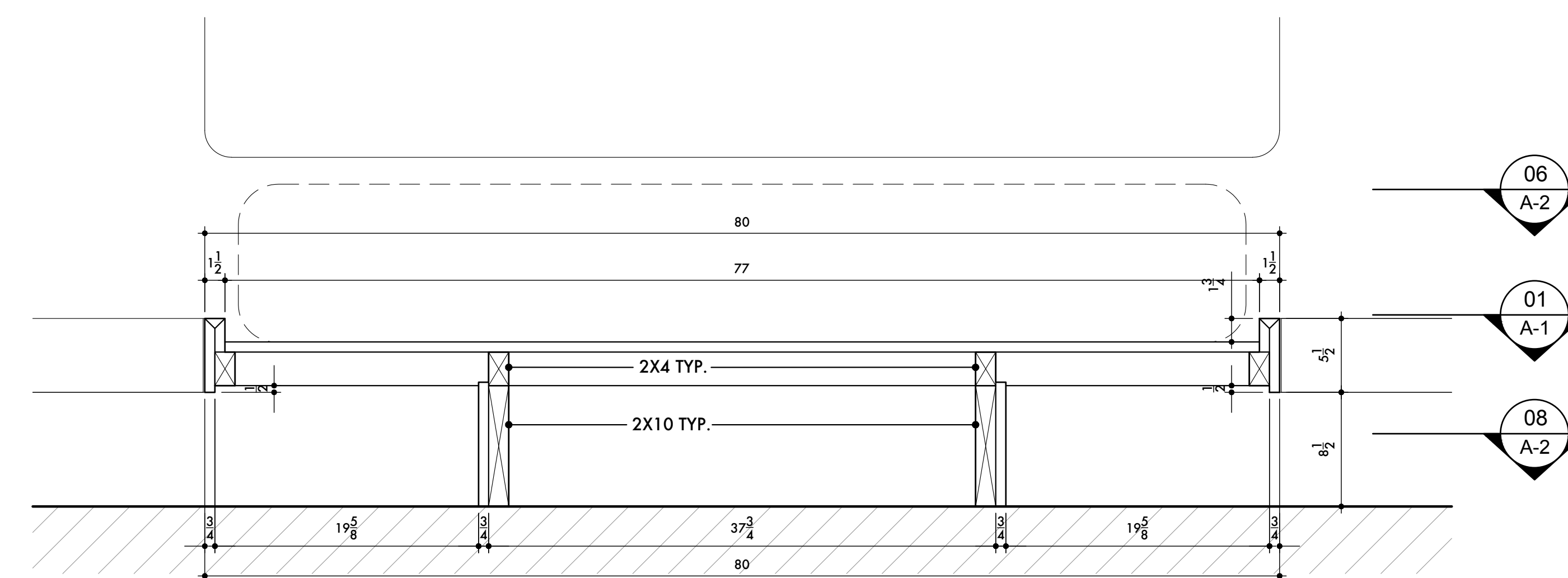
01 MASTER CLOSET NORTH: PLAN (UPPER)
SCALE: 1-1/2" = 1'-0"



05 MASTER BEDROOM: SOUTH WALL (FRONT)
SCALE: 1-1/2" = 1'-0"



04 MASTER BEDROOM: SOUTH WALL (FRONT)
SCALE: 1-1/2" = 1'-0"



02 MASTER BEDROOM: BEDFRAME SECTION A
SCALE: 1-1/2" = 1'-0"

FINISH SCHEDULE

- A. INTERIOR: PREFINISHED MAPLE PLYWOOD
- B. EXTERIOR: WHITE OAK VENEER W/ RUBIO MONOCOAT STAIN (COLOR TBD)
- C. EXTERIOR: SHOP FINISHED LACQUER (COLOR TBD)

HARDWARE SCHEDULE

- 1. DRAWERS: BLUM TANDEM PLUS (FULL EXTENSION).
- 2. HINGES: BLUM SELF CLOSING.
- 3. ADJUSTABLE SHELVES ON CHROME PINS.
- 4. PULLS & HANDLES BY OTHERS.

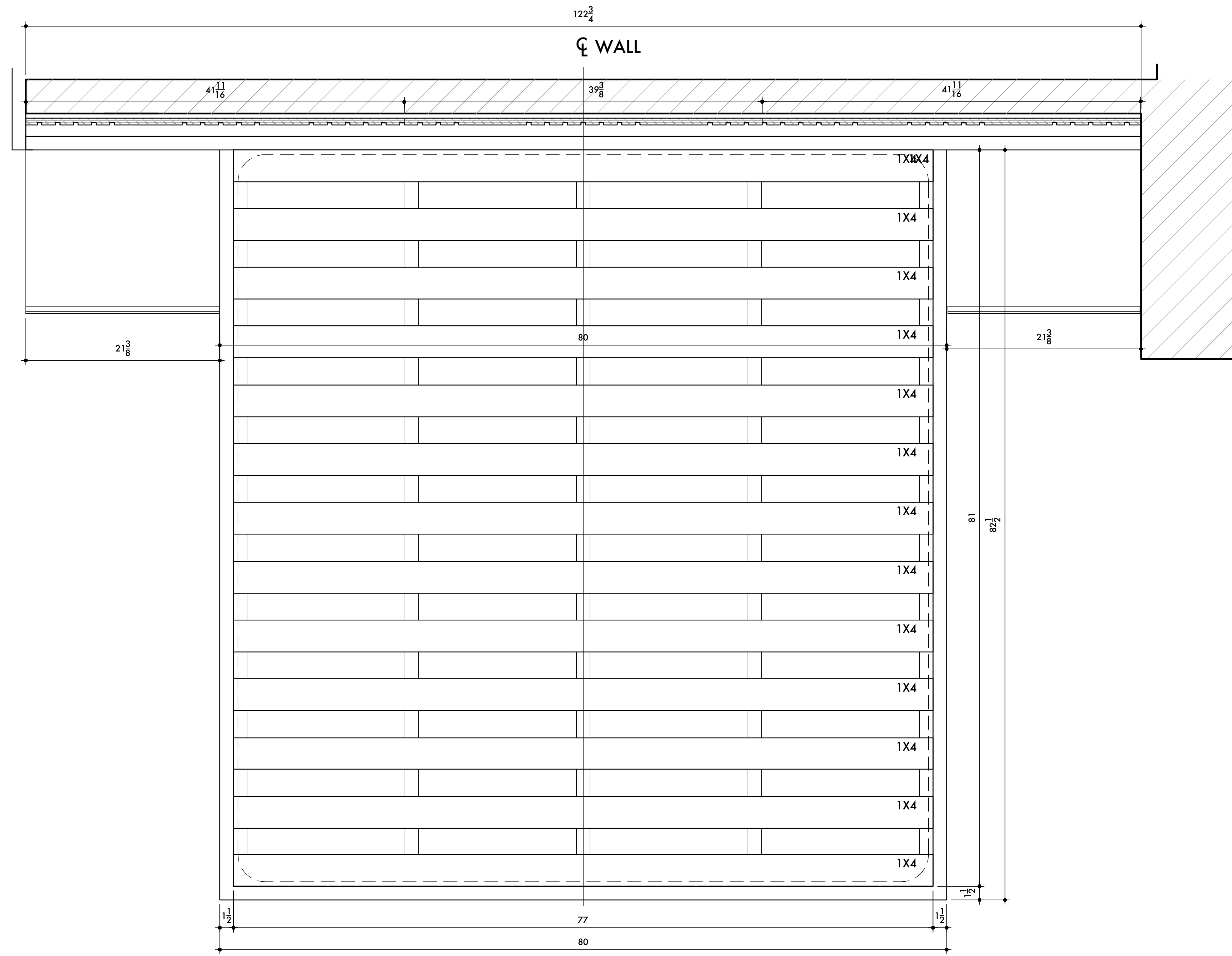
DRAWING RECORD

- 1. 2023/01/30 - SUBMITTED FOR REVIEW

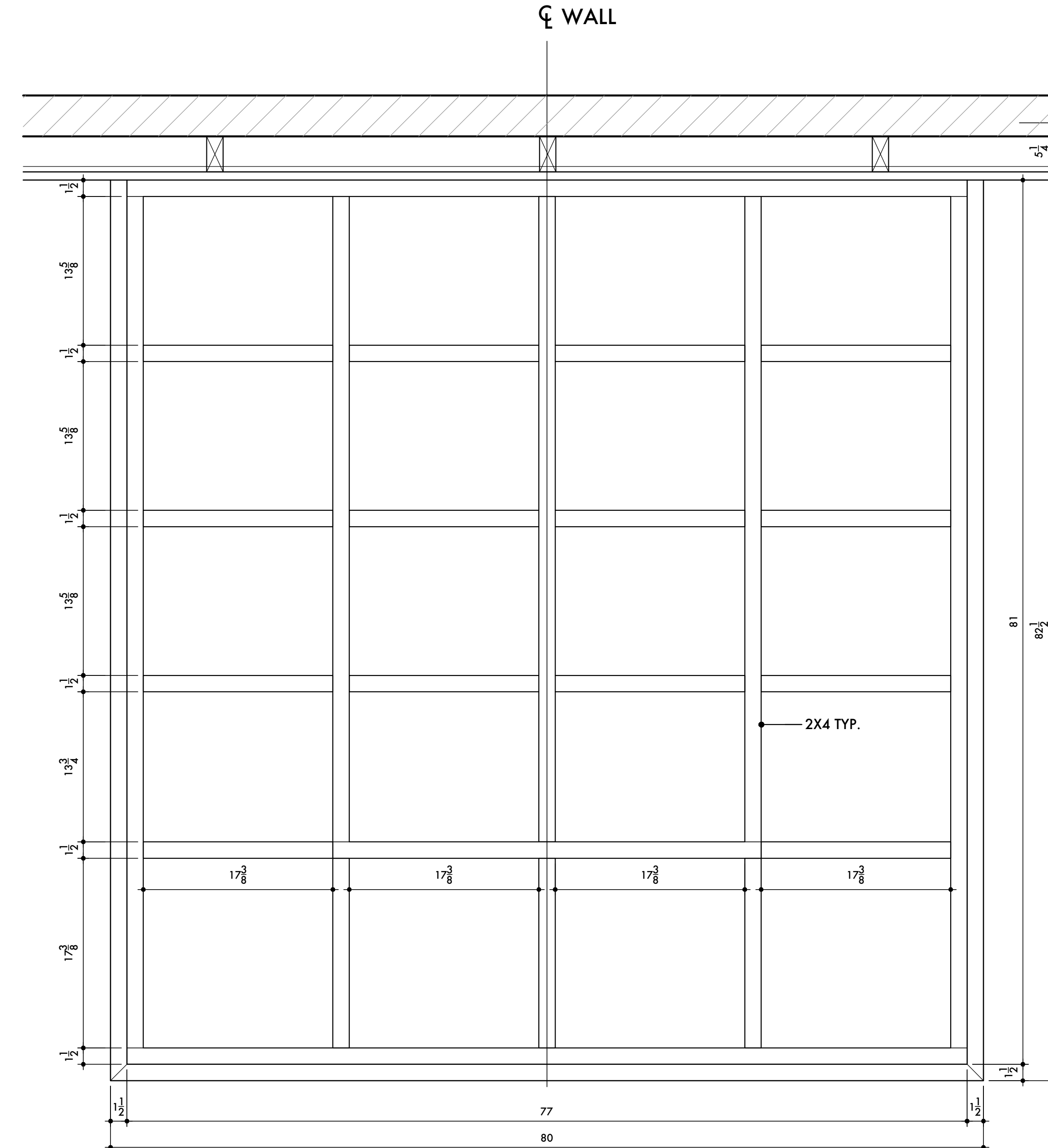
FIELD NOTES:

CONTRACTOR/MILLWORKER:
SMD CONSTRUCTION GROUP
ARCHITECT:
BORO ARCHITECTS
DRAWN BY:
NRDESIGNS

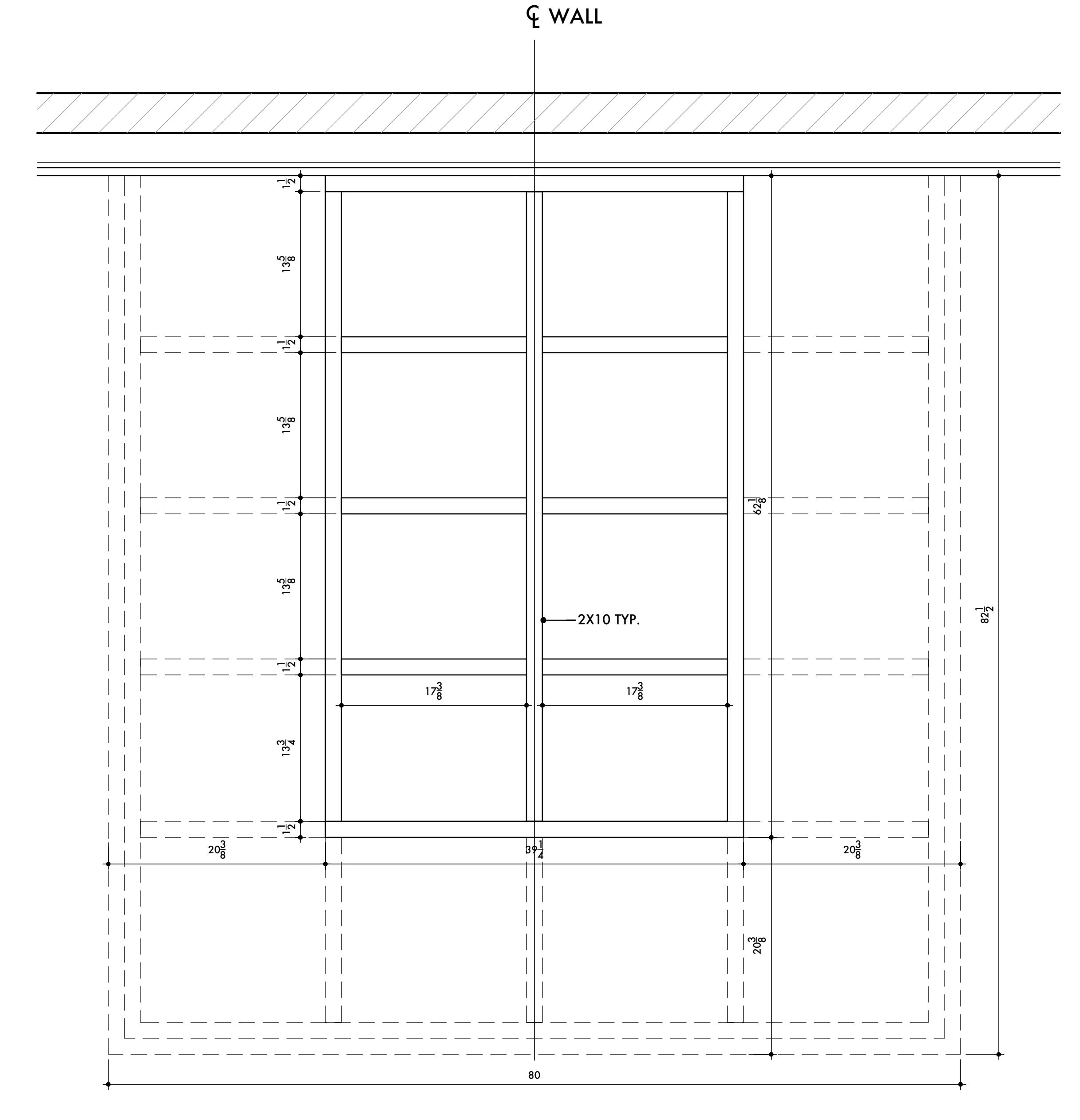
TITLE:
MASTER BEDROOM: BED + HEADBOARD
PROJECT:
**225 LAFAYETTE STREET
NEW YORK, NY 10012**



06 MASTER BEDROOM: BEDFRAME (PLAN)
SCALE: 1-1/2" = 1'-0"



07 MASTER BEDROOM: TOP BASE (PLAN)
SCALE: 1-1/2" = 1'-0"



08 MASTER BEDROOM: BOTTOM BASE (PLAN)
SCALE: 1-1/2" = 1'-0"

FINISH SCHEDULE

- A. INTERIOR: PRE-FINISHED MAPLE PLYWOOD
- B. EXTERIOR: WHITE OAK VENEER W/ RUBIO MONOCOAT STAIN (COLOR TBD)
- C. EXTERIOR: SHOP FINISHED LACQUER (COLOR TBD)

HARDWARE SCHEDULE

- 1. DRAWERS: BLUM TANDEM PLUS (FULL EXTENSION).
- 2. HINGES: BLUM SELF CLOSING.
- 3. ADJUSTABLE SHELVES ON CHROME PINS.
- 4. PULLS & HANDLES BY OTHERS.

DRAWING RECORD

- 1. 2023/01/30 - SUBMITTED FOR REVIEW

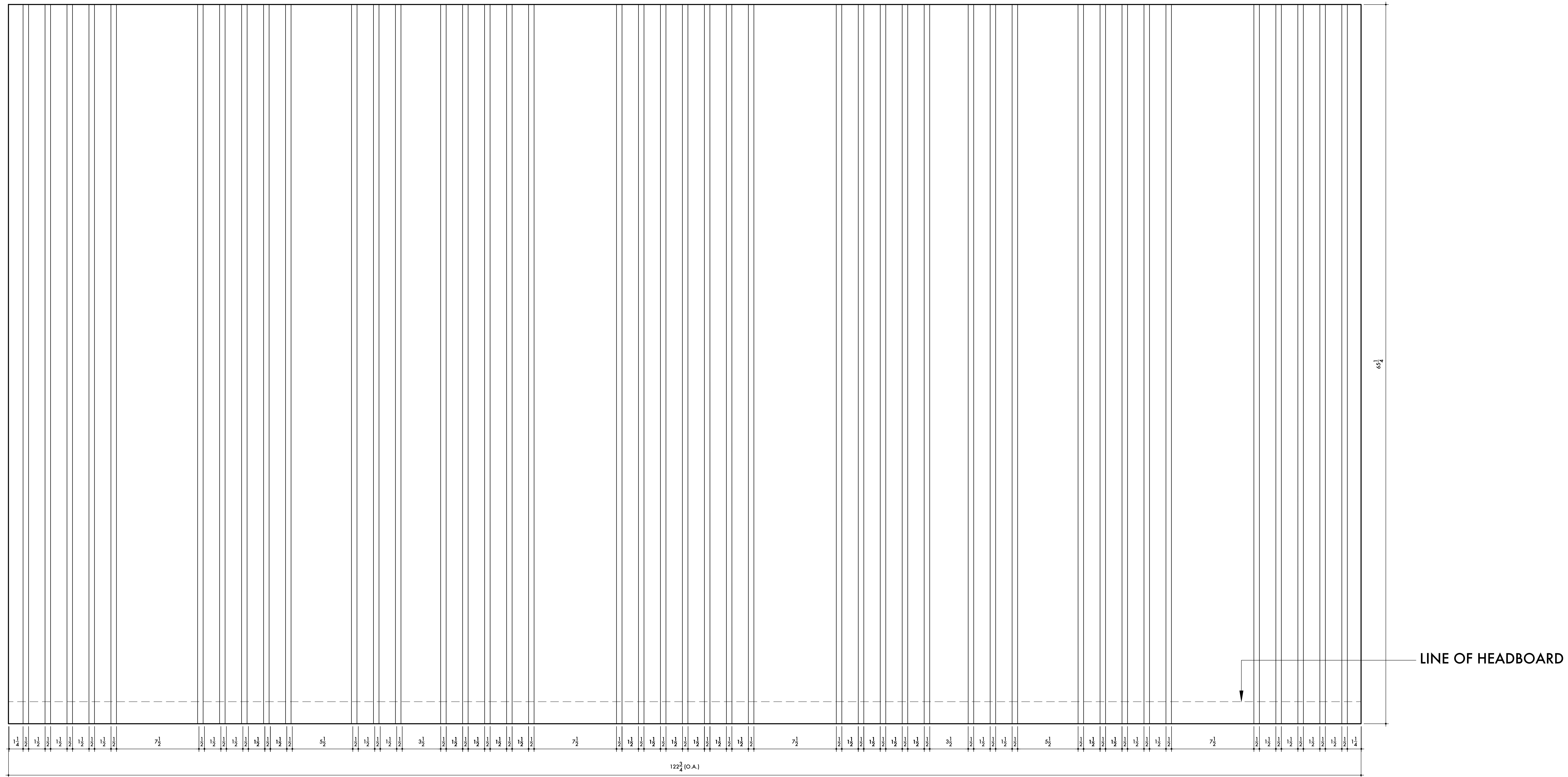
FIELD NOTES:

CONTRACTOR/MILLWORKER:

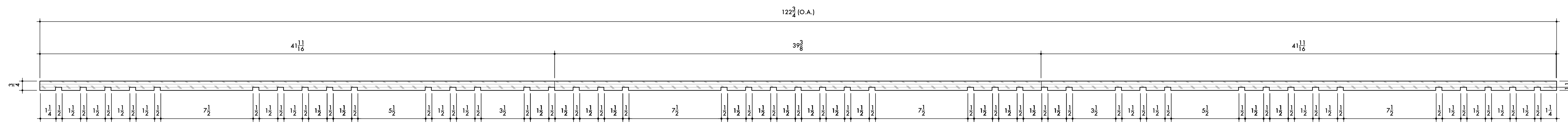
SMD CONSTRUCTION GROUP
ARCHITECT:
BORO ARCHITECTS
DRAWN BY:
NRDESIGNS

TITLE:

MASTER BEDROOM: BED + HEADBOARD
PROJECT:
225 LAFAYETTE STREET
NEW YORK, NY 10012

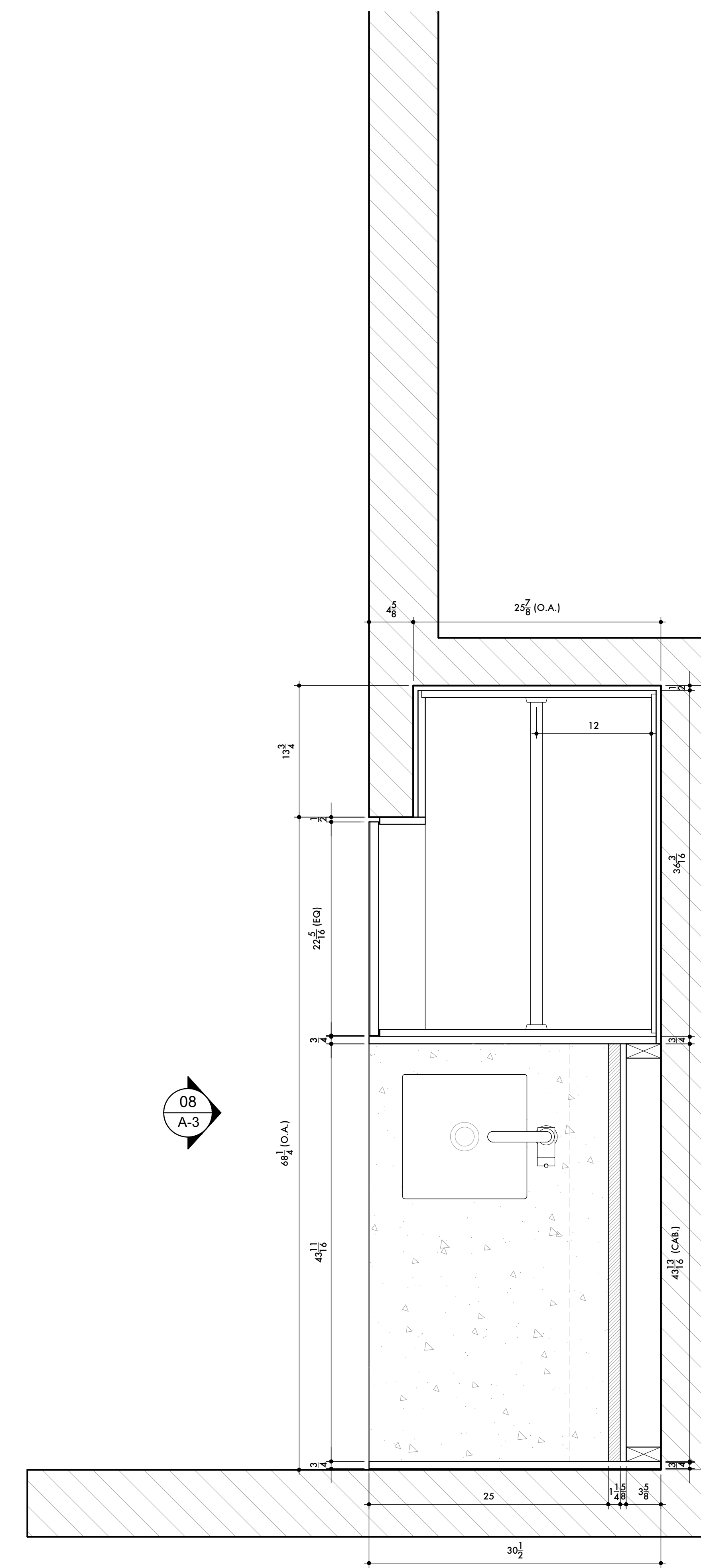
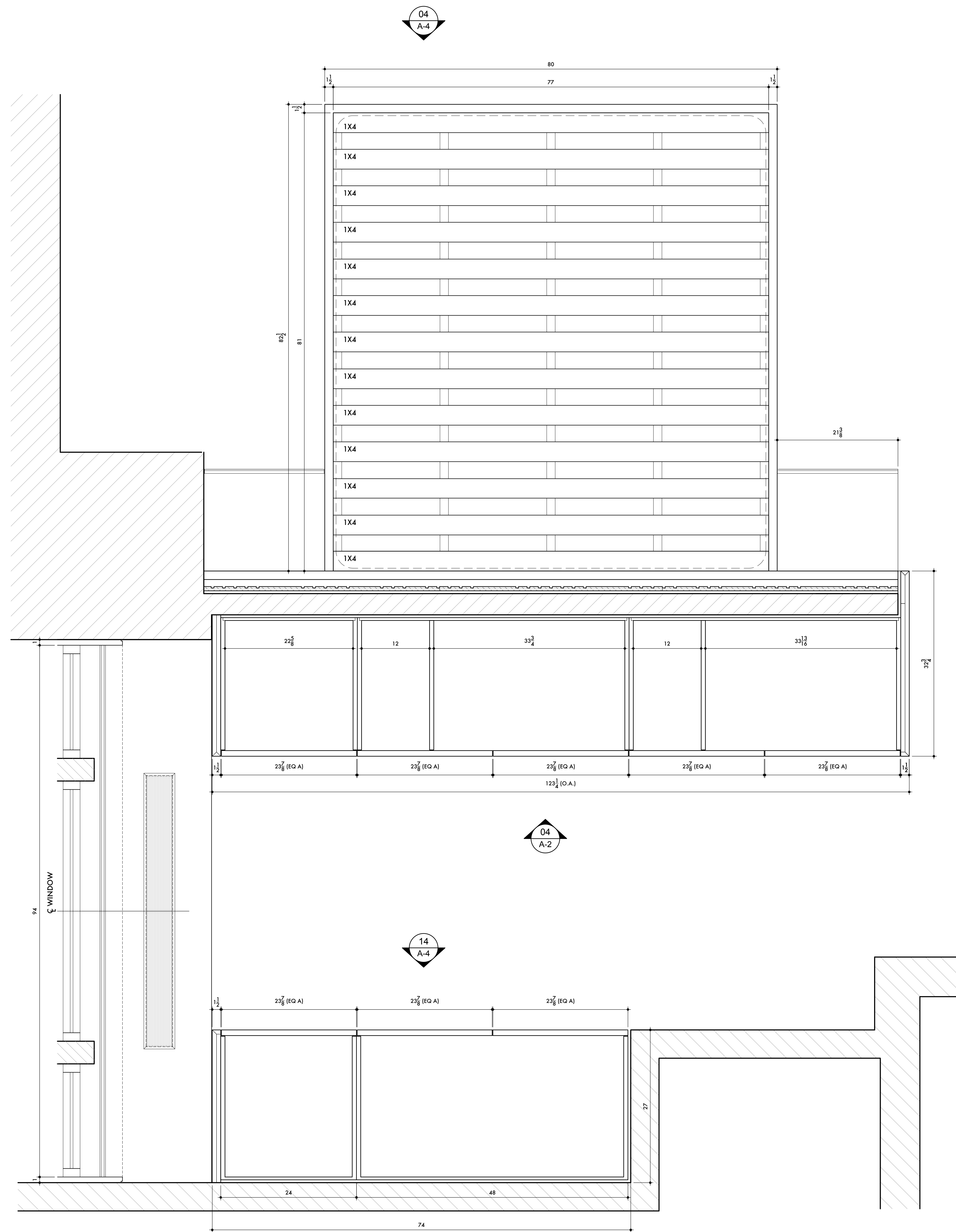


10 MASTER BEDROOM: BED WALL CLADDING (FRONT)
SCALE: 1-1/2" = 1'-0"



09 MASTER BEDROOM: BED WALL CLADDING (PLAN)
SCALE: 1-1/2" = 1'-0"

FINISH SCHEDULE	HARDWARE SCHEDULE	DRAWING RECORD	FIELD NOTES:	CONTRACTOR/MILLWORKER:	TITLE:
A. INTERIOR: PREFINISHED MAPLE PLYWOOD	1. DRAWERS: BLUM TANDEM PLUS (FULL EXTENSION).	1. 2023/01/30 - SUBMITTED FOR REVIEW		SMD CONSTRUCTION GROUP	MASTER BEDROOM: BED WALL CLADDING
B. EXTERIOR: WHITE OAK VENEER W/ RUBIO MONOCOAT STAIN (COLOR TBD)	2. HINGES: BLUM SELF CLOSING.			ARCHITECT: BORO ARCHITECTS	PROJECT: 225 LAFAYETTE STREET
C. EXTERIOR: SHOP FINISHED LACQUER (COLOR TBD)	3. ADJUSTABLE SHELVES ON CHROME PINS.			DRAWN BY: NRDESIGNS	NEW YORK, NY 10012
	4. PULLS & HANDLES BY OTHERS.				



01 MASTER CLOSET – FLOOR PLAN
SCALE: 1/12" = 1'-0"

FINISH SCHEDULE

- A. INTERIOR: PREFINISHED MAPLE PLYWOOD
- B. EXTERIOR: WHITE OAK VENEER W/ RUBIO MONOCOAT STAIN (COLOR TBD)
- C. EXTERIOR: SHOP FINISHED LACQUER (COLOR TBD)

HARDWARE SCHEDULE

- 1. DRAWERS: BLUM TANDEM PLUS (FULL EXTENSION).
- 2. HINGES: BLUM SELF CLOSING.
- 3. ADJUSTABLE SHELVES ON CHROME PINS.
- 4. PULLS & HANDLES BY OTHERS.

DRAWING RECORD

- 1. 2023/01/30 - SUBMITTED FOR REVIEW

FIELD NOTES:

CONTRACTOR/MILLWORKER:

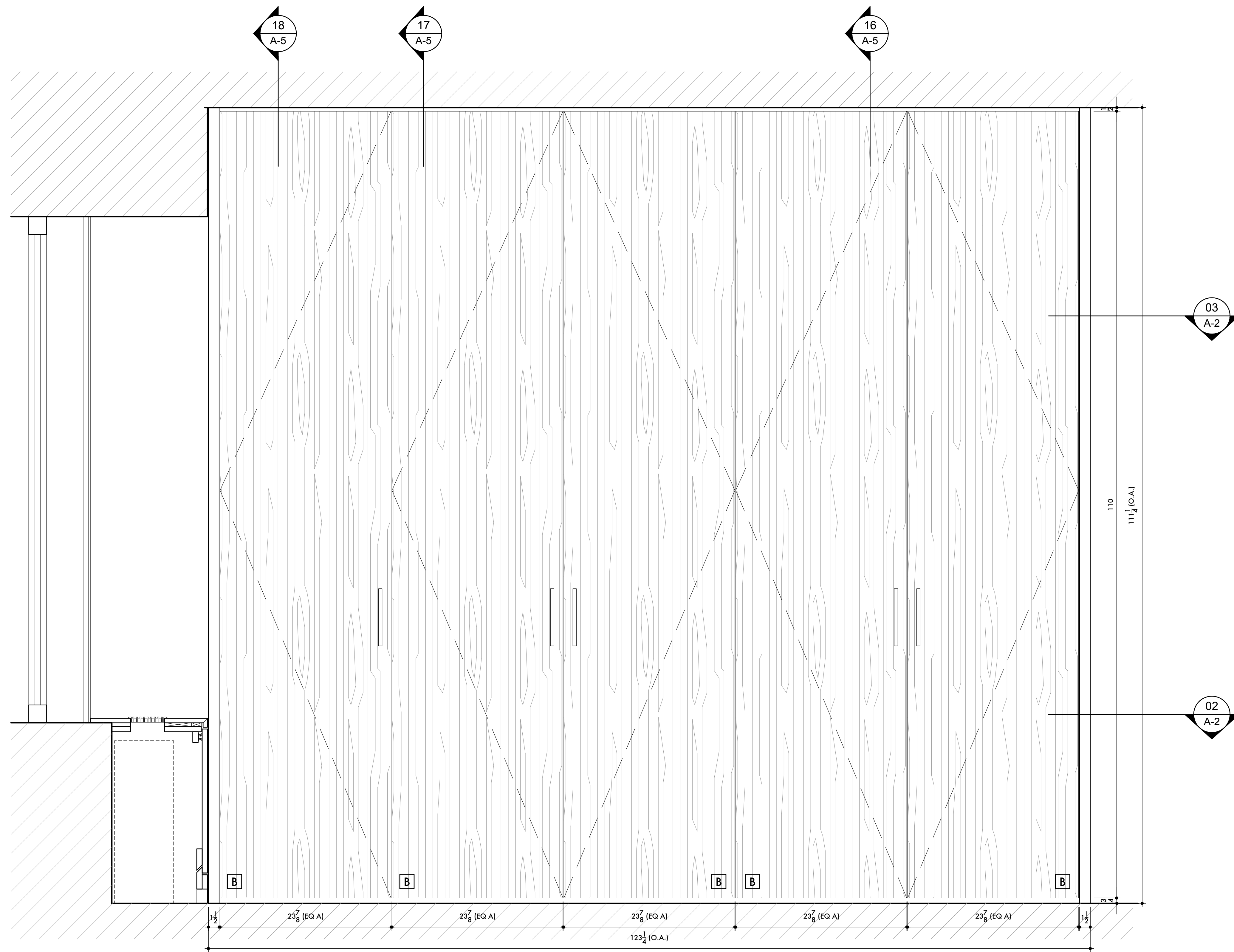
SMD CONSTRUCTION GROUP
ARCHITECT:
BORO ARCHITECTS
DRAWN BY:
NRDESIGNS

TITLE:

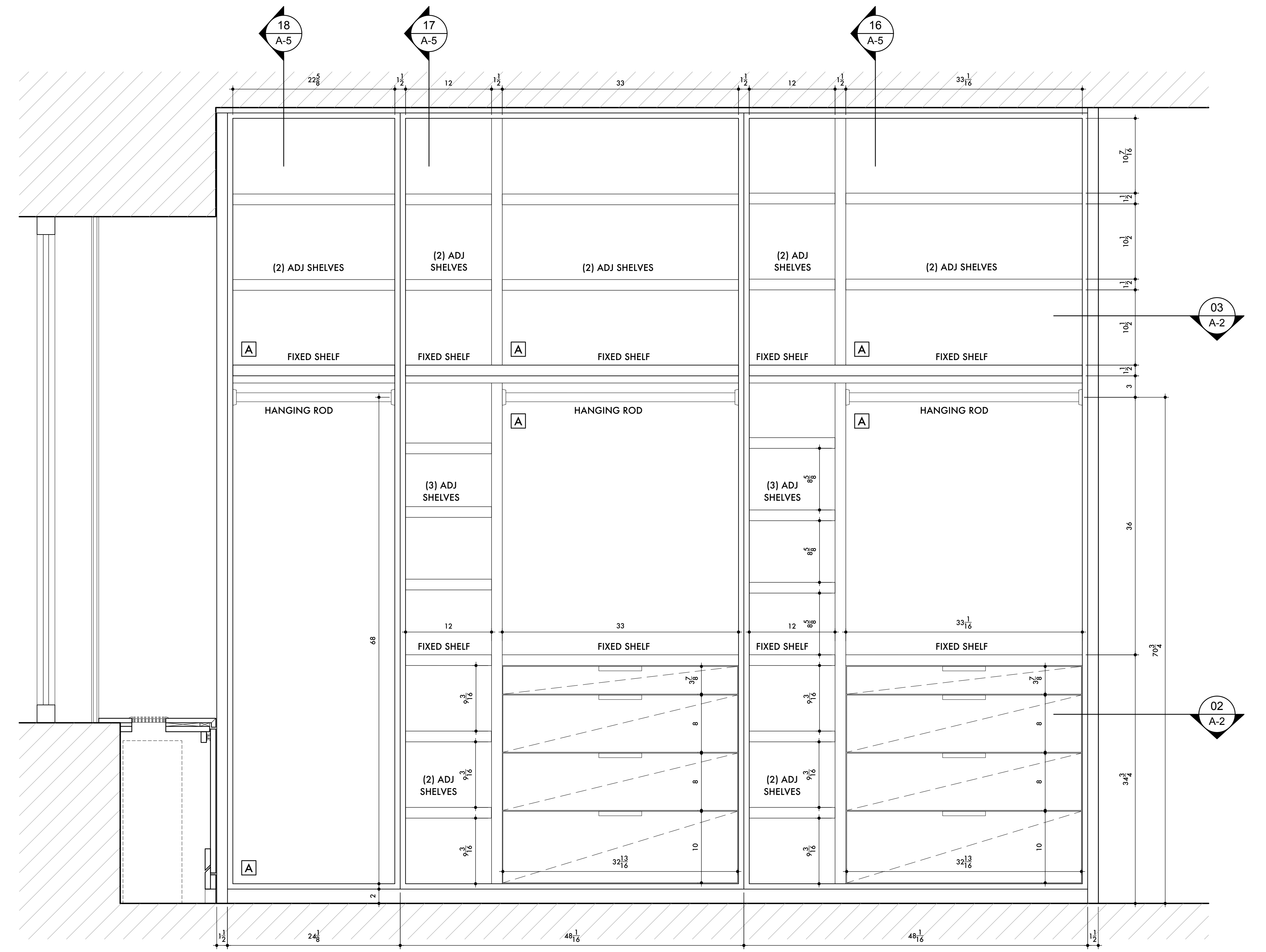
MASTER CLOSET + BEDROOM: FLOOR PLAN
PROJECT:
**225 LAFAYETTE STREET
NEW YORK, NY 10012**

A-1

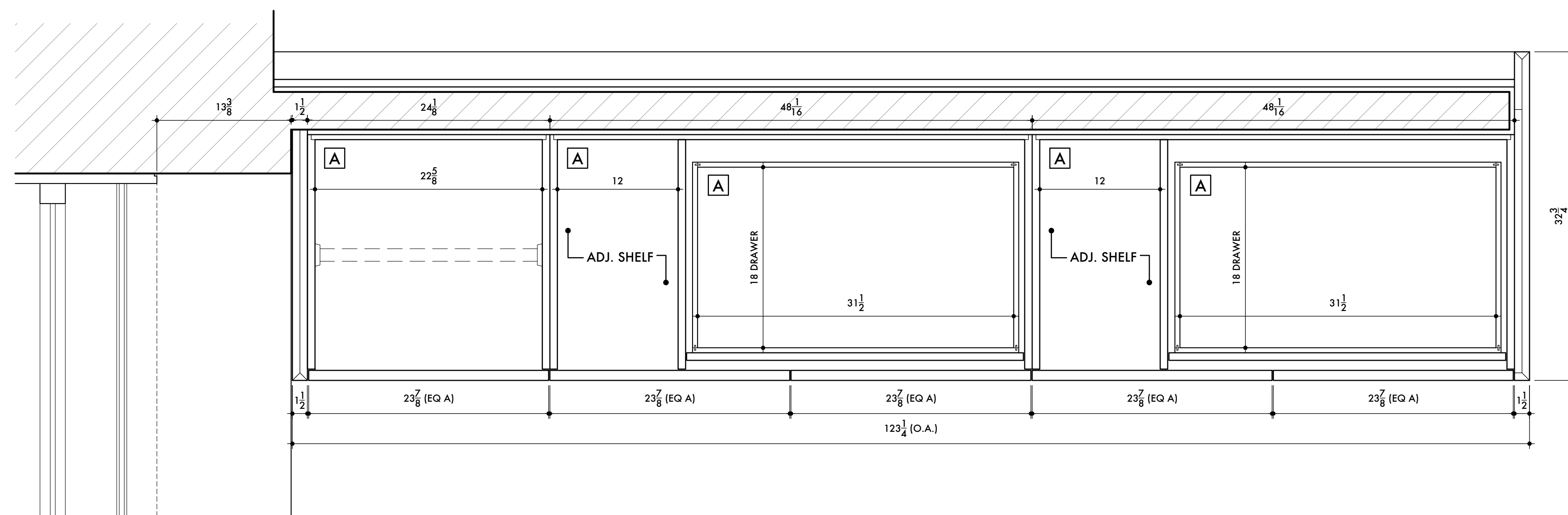
SHEET 1 OF 7



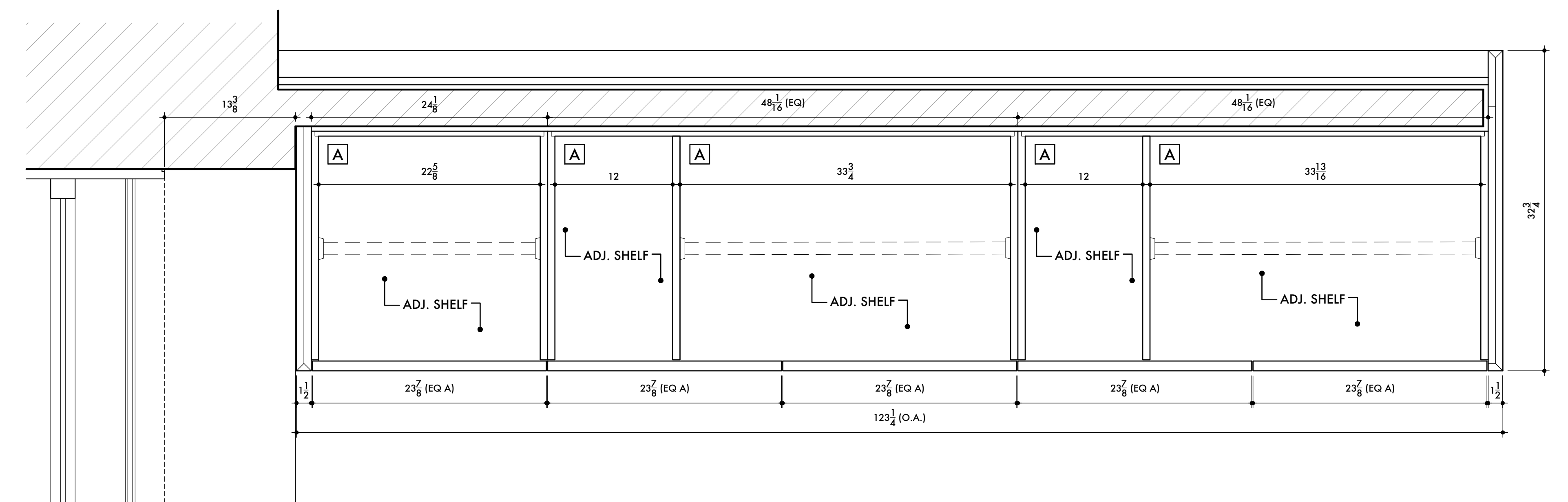
04 MASTER CLOSET NORTH: FRONT (CLOSED)
SCALE: 1-1/2" = 1'-0"



05 MASTER CLOSET NORTH: FRONT (OPEN)
SCALE: 1-1/2" = 1'-0"



02 MASTER CLOSET NORTH: PLAN (UPPER)
SCALE: 1-1/2" = 1'-0"



03 MASTER CLOSET NORTH: PLAN (UPPER)
SCALE: 1-1/2" = 1'-0"

FINISH SCHEDULE

- A. INTERIOR: PREFINISHED MAPLE PLYWOOD
- B. EXTERIOR: WHITE OAK VENEER W/ RUBIO MONOCOAT STAIN (COLOR TBD)
- C. EXTERIOR: SHOP FINISHED LACQUER (COLOR TBD)

HARDWARE SCHEDULE

- 1. DRAWERS: BLUM TANDEM PLUS (FULL EXTENSION).
- 2. HINGES: BLUM SELF CLOSING.
- 3. ADJUSTABLE SHELVES ON CHROME PINS.
- 4. PULLS & HANDLES BY OTHERS.

DRAWING RECORD

- 1. 2023/01/30 - SUBMITTED FOR REVIEW

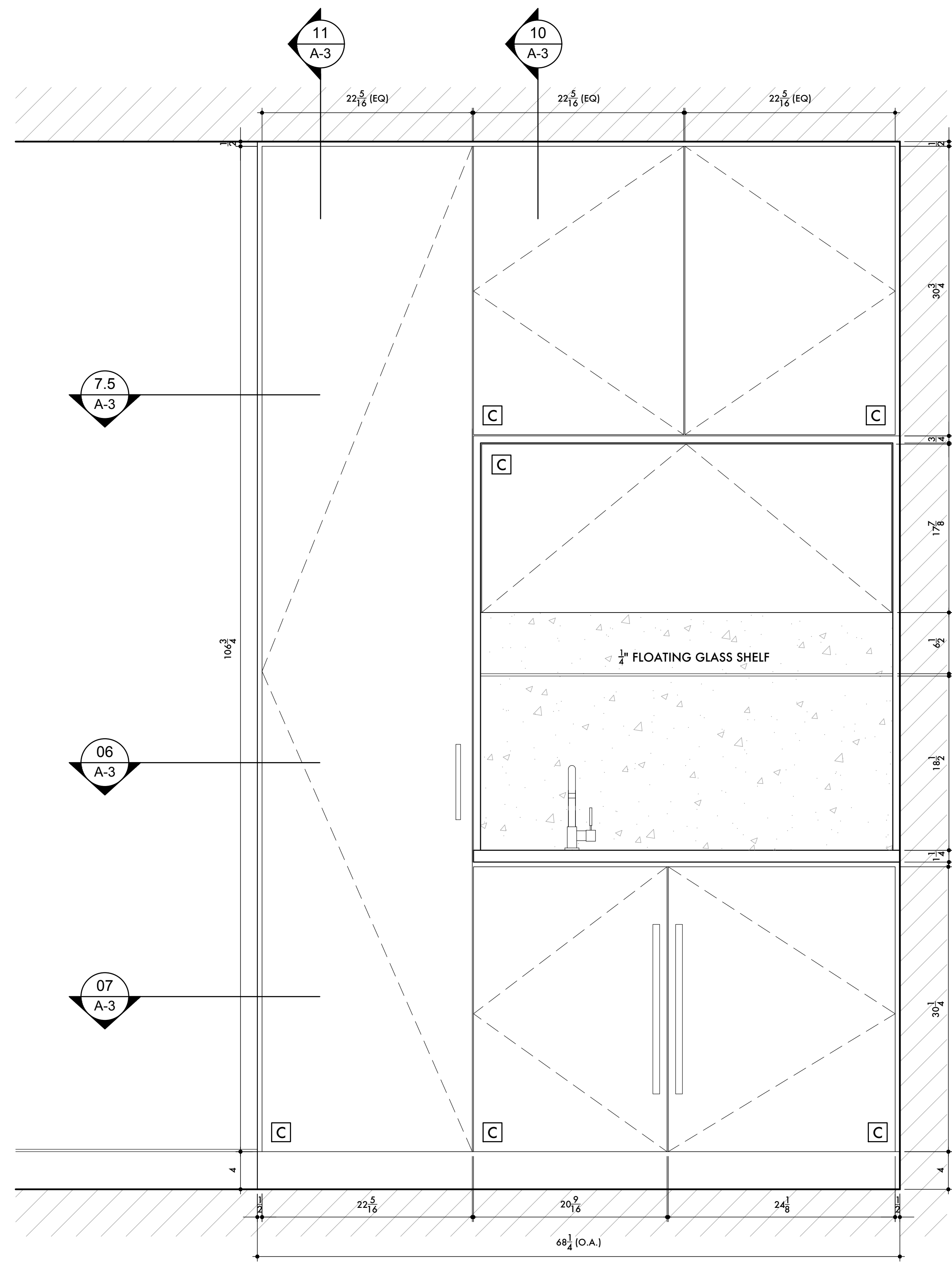
FIELD NOTES:

CONTRACTOR/MILLWORKER:

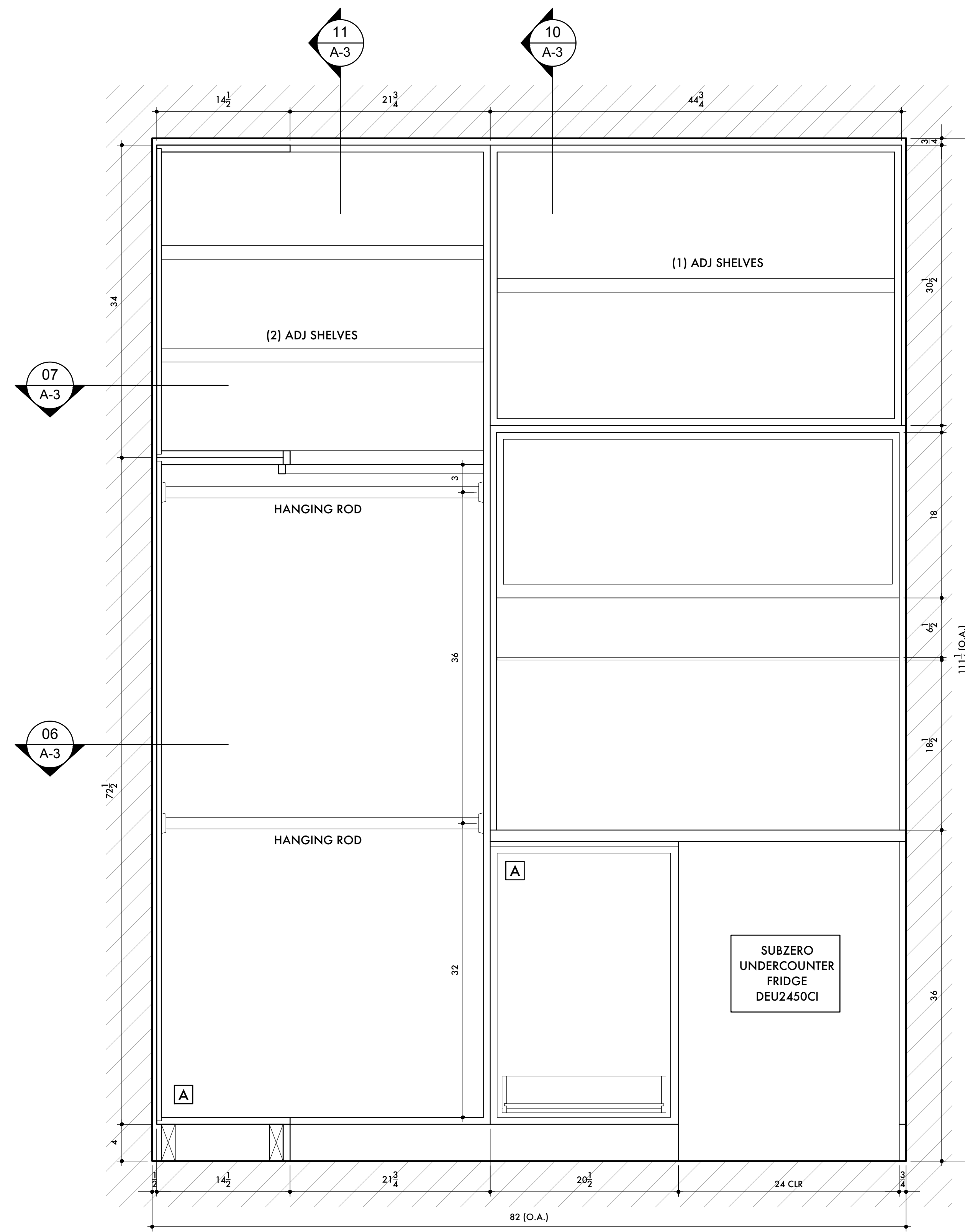
SMD CONSTRUCTION GROUP
ARCHITECT:
BORO ARCHITECTS
DRAWN BY:
NRDESIGNS

TITLE:

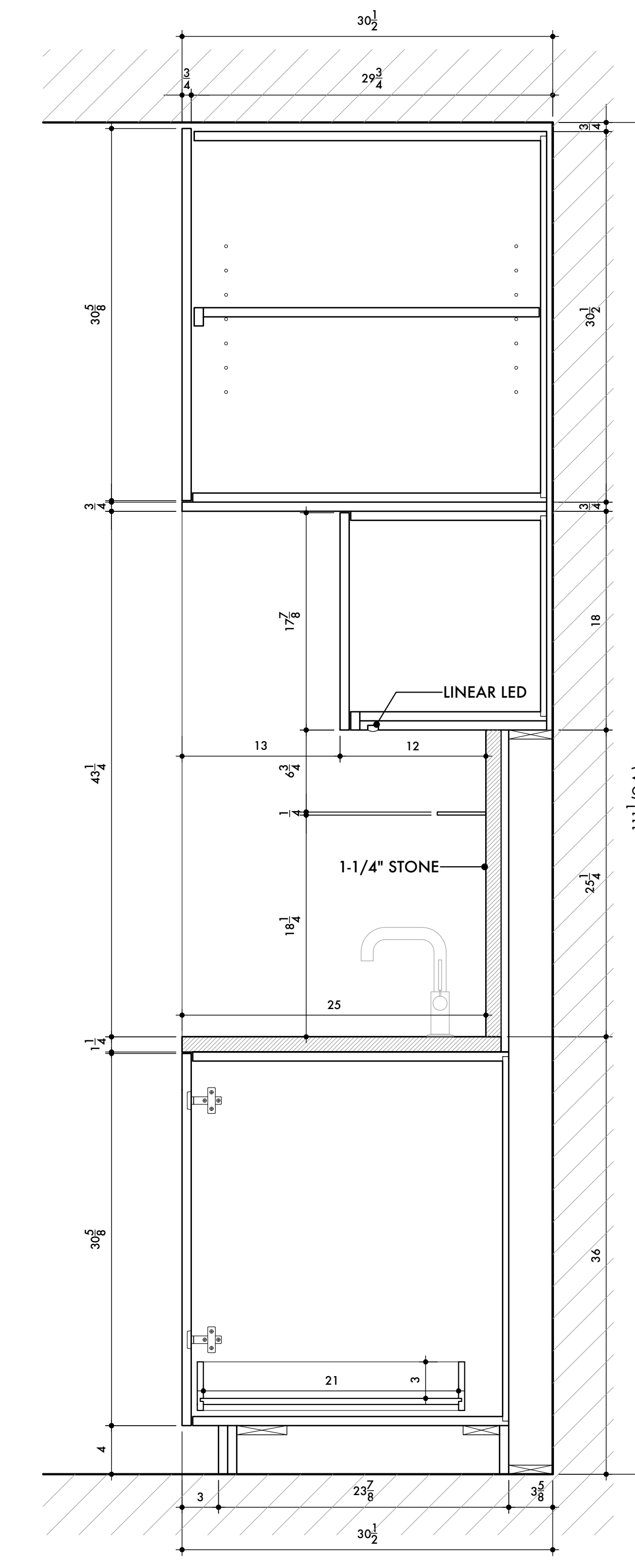
MASTER CLOSET: NORTH WALL
PROJECT:
225 LAFAYETTE STREET
NEW YORK, NY 10012



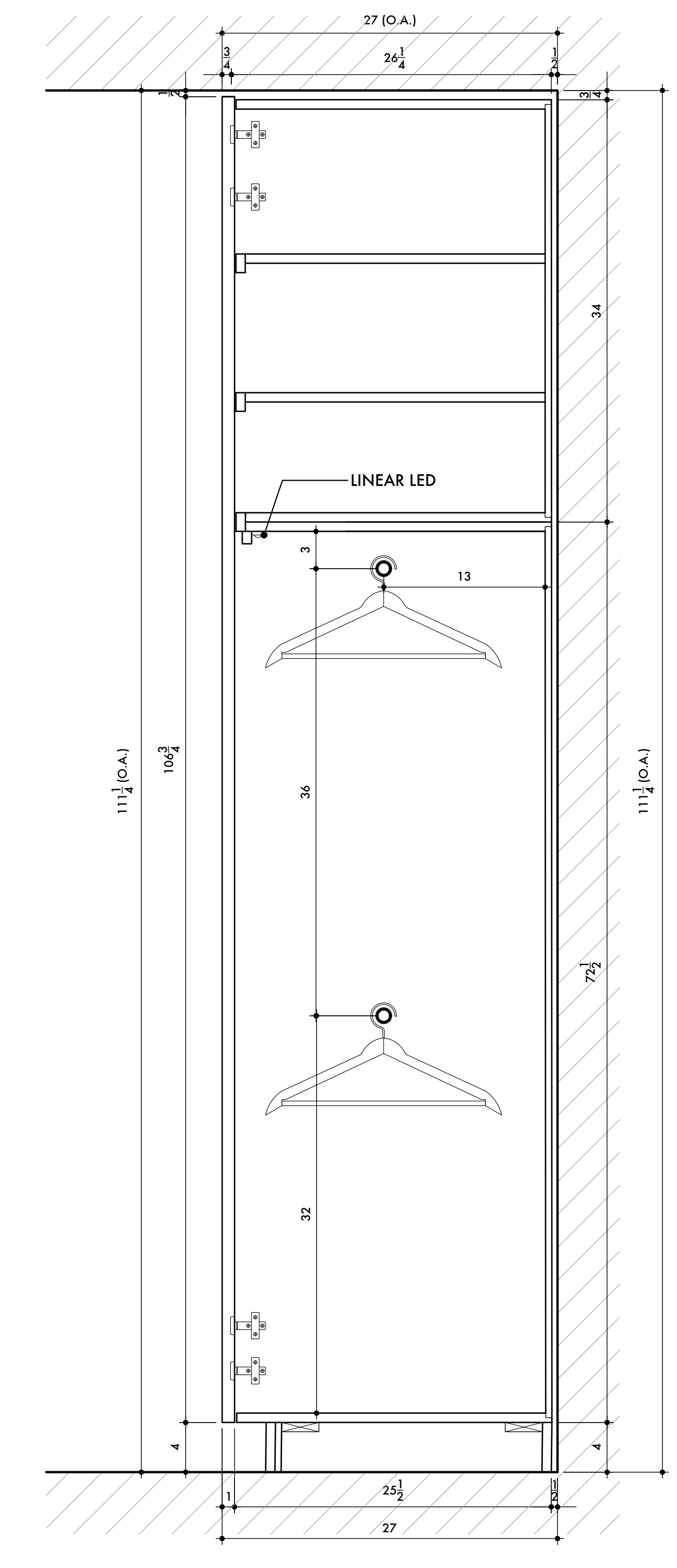
08 MASTER CLOSET EAST: FRONT (CLOSED)
SCALE: 1 1/2" = 1'-0"



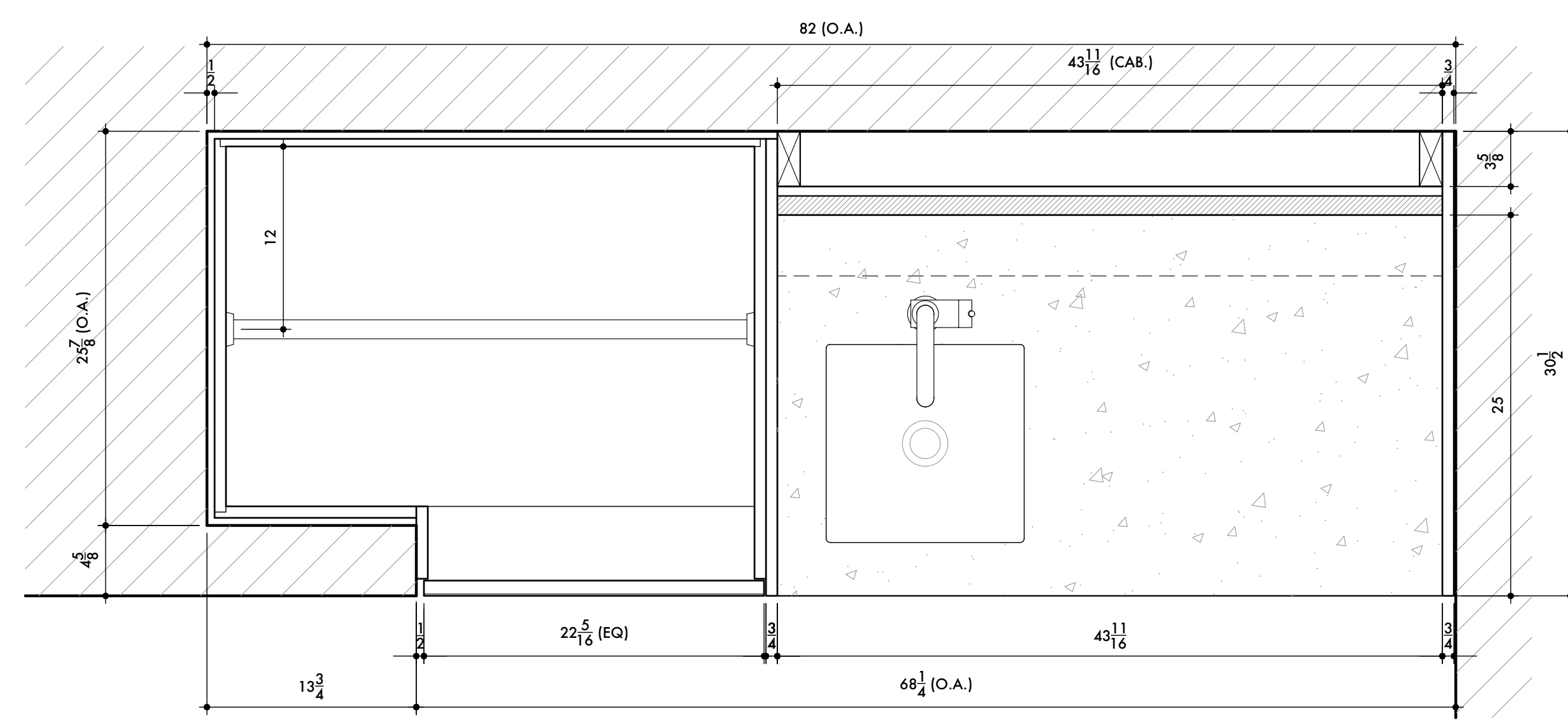
09 MASTER CLOSET EAST: FRONT (OPEN)
SCALE: 1 1/2" = 1'-0"



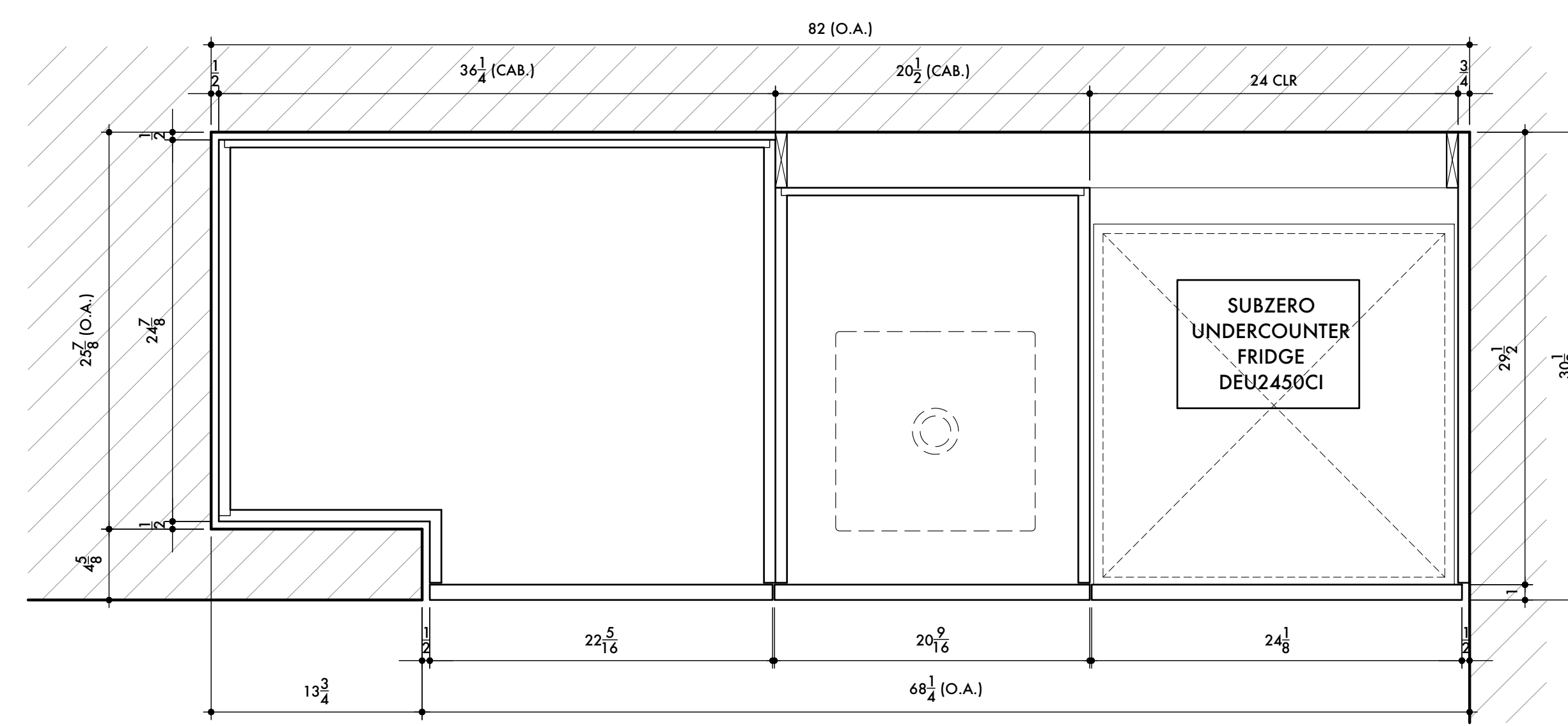
10 MASTER CLOSET EAST: SECTION
SCALE: 1 1/2" = 1'-0"



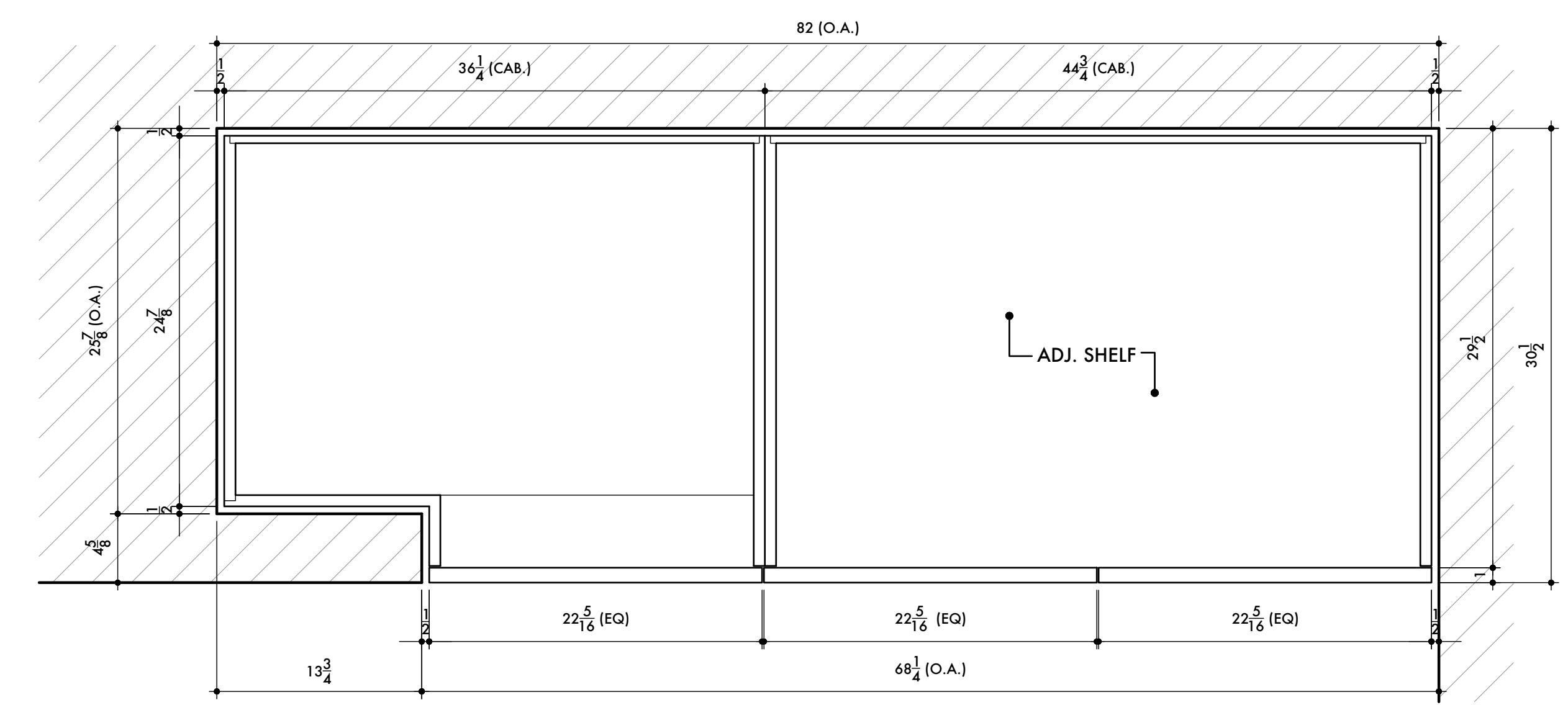
11 MASTER CLOSET EAST: SECTION B
SCALE: 1 1/2" = 1'-0"



06 MASTER CLOSET EAST: PLAN (MIDDLE)
SCALE: 1 1/2" = 1'-0"



07 MASTER CLOSET EAST: PLAN (LOWER)
SCALE: 1 1/2" = 1'-0"



05 MASTER CLOSET EAST: PLAN (UPPER)
SCALE: 1 1/2" = 1'-0"

FINISH SCHEDULE

- A. INTERIOR: PREFINISHED MAPLE PLYWOOD
- B. EXTERIOR: WHITE OAK VENEER W/ RUBIO MONOCOAT STAIN (COLOR TBD)
- C. EXTERIOR: SHOP FINISHED LACQUER (COLOR TBD)

HARDWARE SCHEDULE

- 1. DRAWERS: BLUM TANDEM PLUS (FULL EXTENSION).
- 2. HINGES: BLUM SELF CLOSING.
- 3. ADJUSTABLE SHELVES ON CHROME PINS.
- 4. PULLS & HANDLES BY OTHERS.

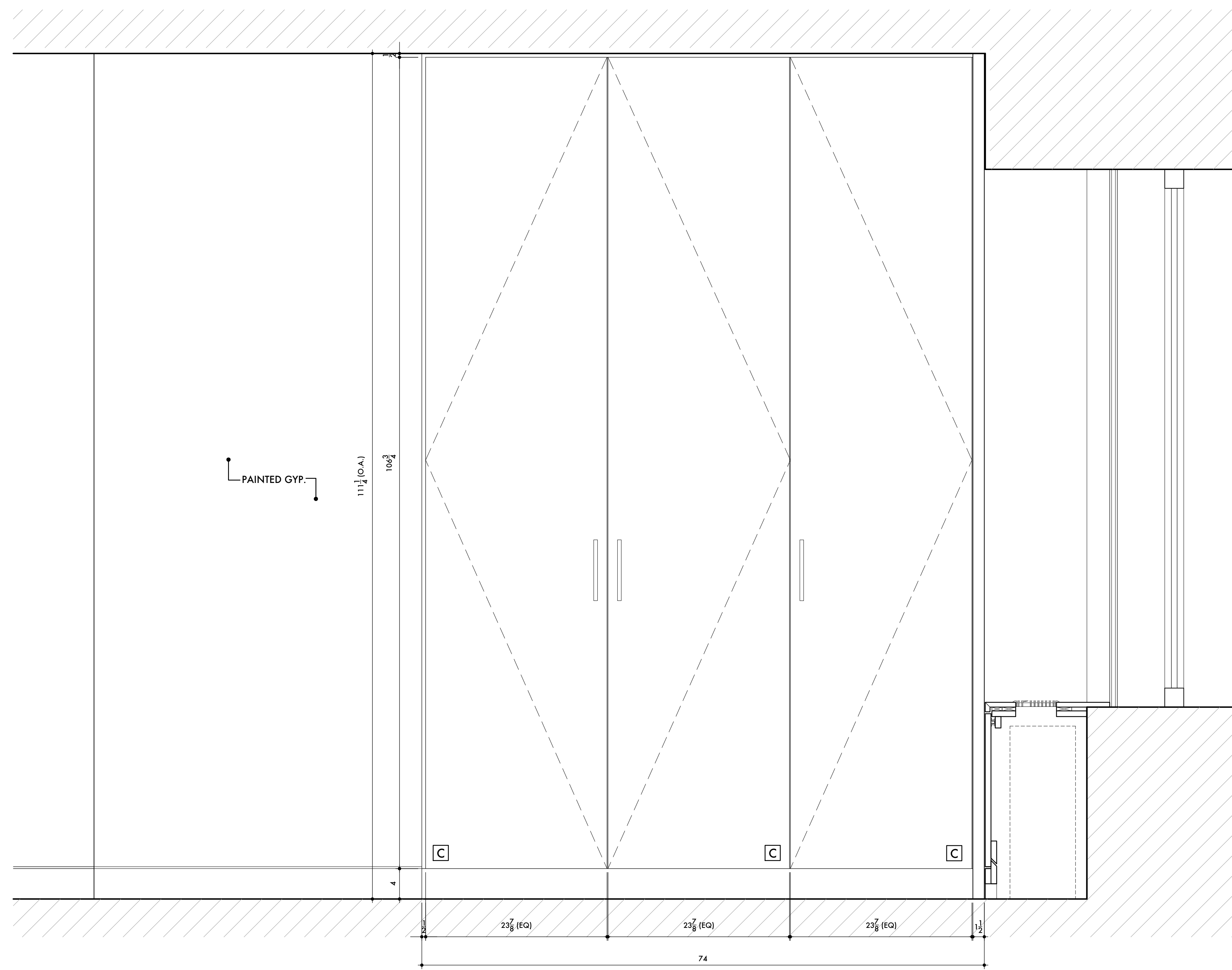
DRAWING RECORD

- 1. 2023/01/30 - SUBMITTED FOR REVIEW

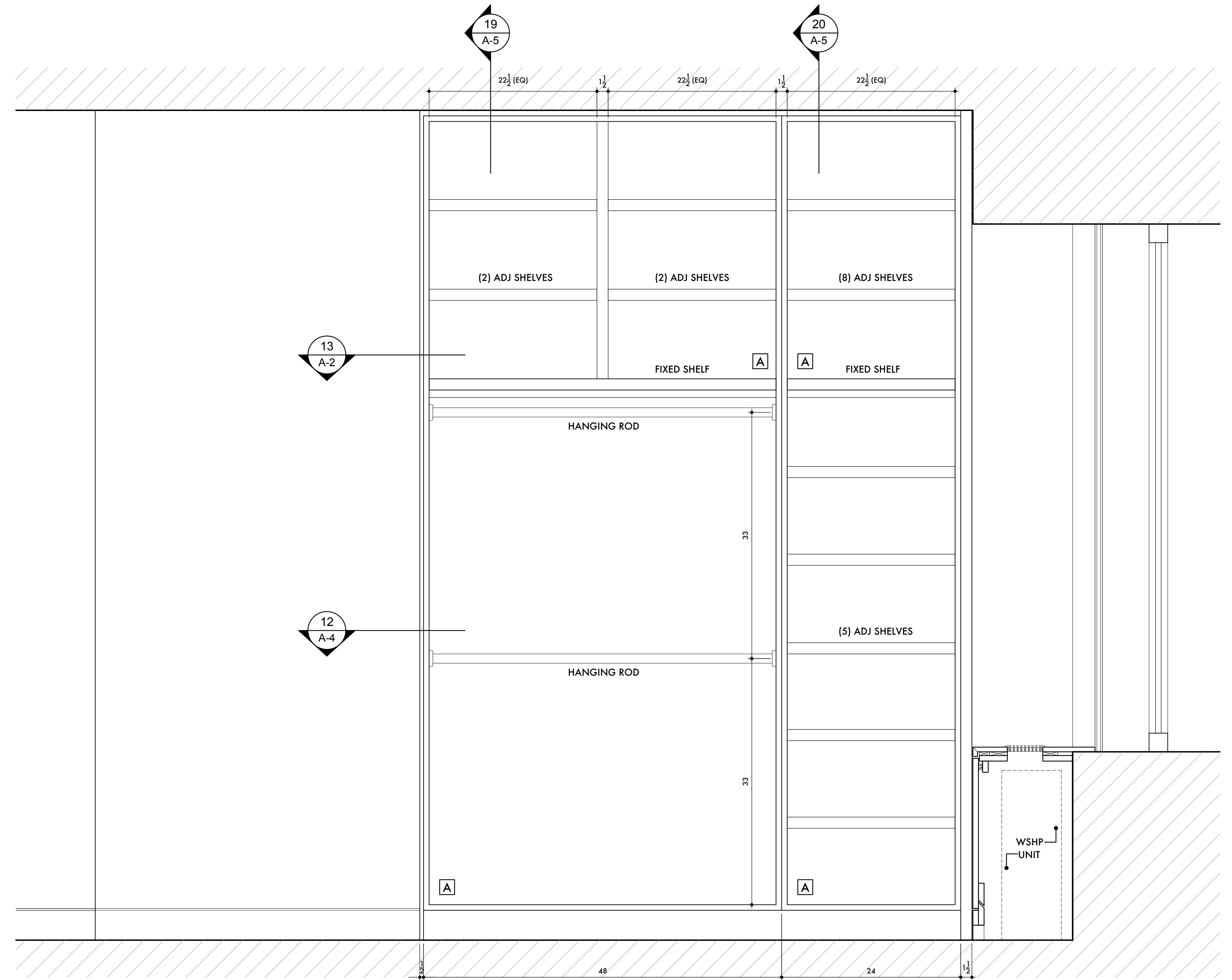
FIELD NOTES:

CONTRACTOR/MILLWORKER:
SMD CONSTRUCTION GROUP
ARCHITECT:
BORO ARCHITECTS
DRAWN BY:
NRDESIGNS

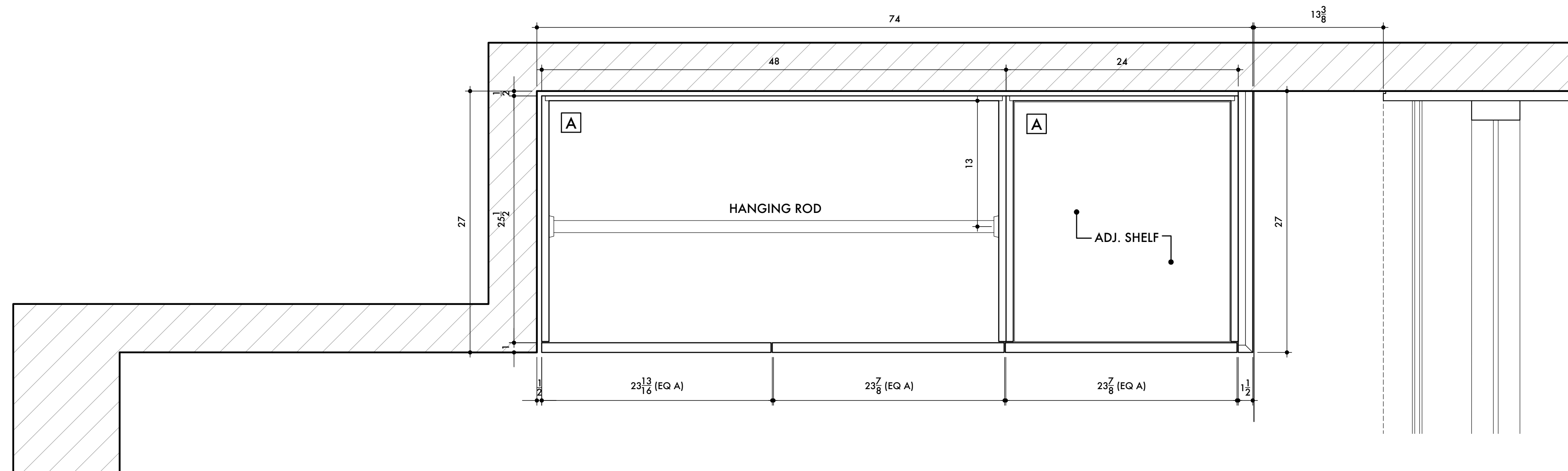
TITLE:
MASTER CLOSET: EAST WALL
PROJECT:
**225 LAFAYETTE STREET
NEW YORK, NY 10012**



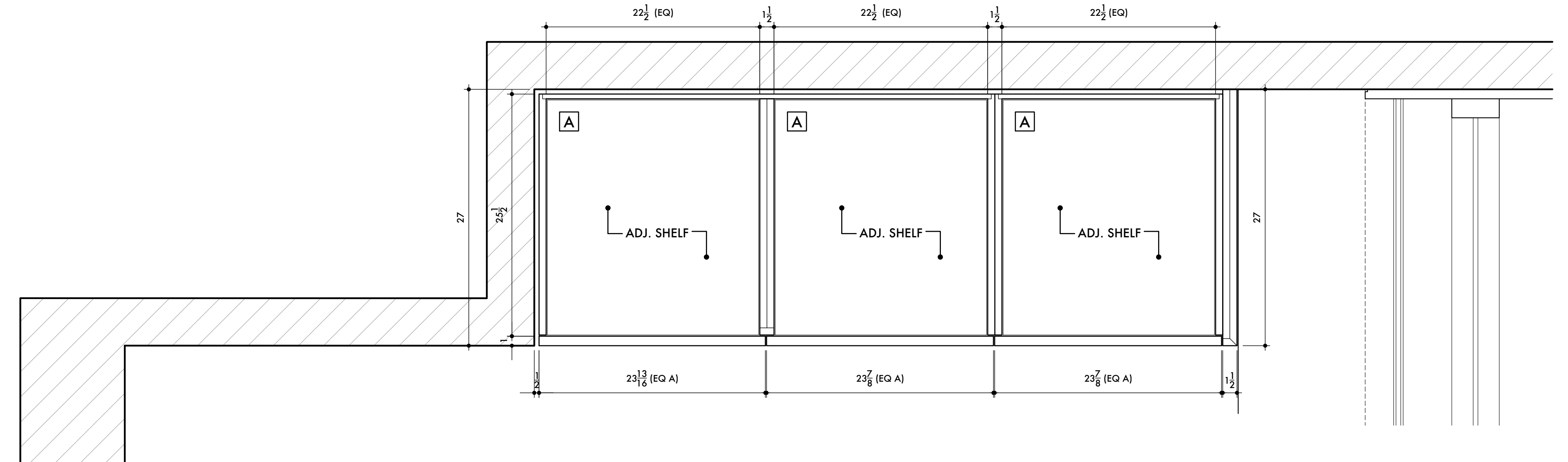
14 MASTER CLOSET SOUTH: FRONT (CLOSED)
SCALE: 1-1/2" = 1'-0"



15 MASTER CLOSET SOUTH: FRONT (OPEN)
SCALE: 1-1/2" = 1'-0"

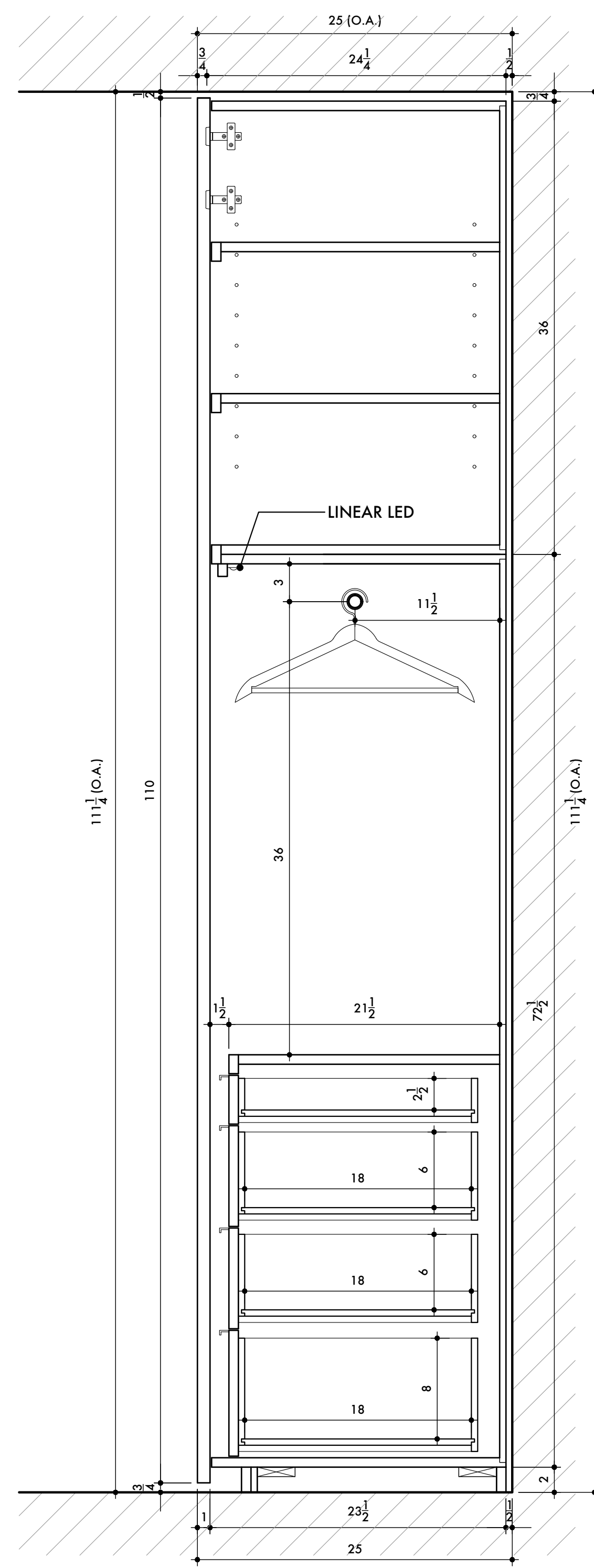


12 MASTER CLOSET SOUTH: PLAN (UPPER)
SCALE: 1-1/2" = 1'-0"

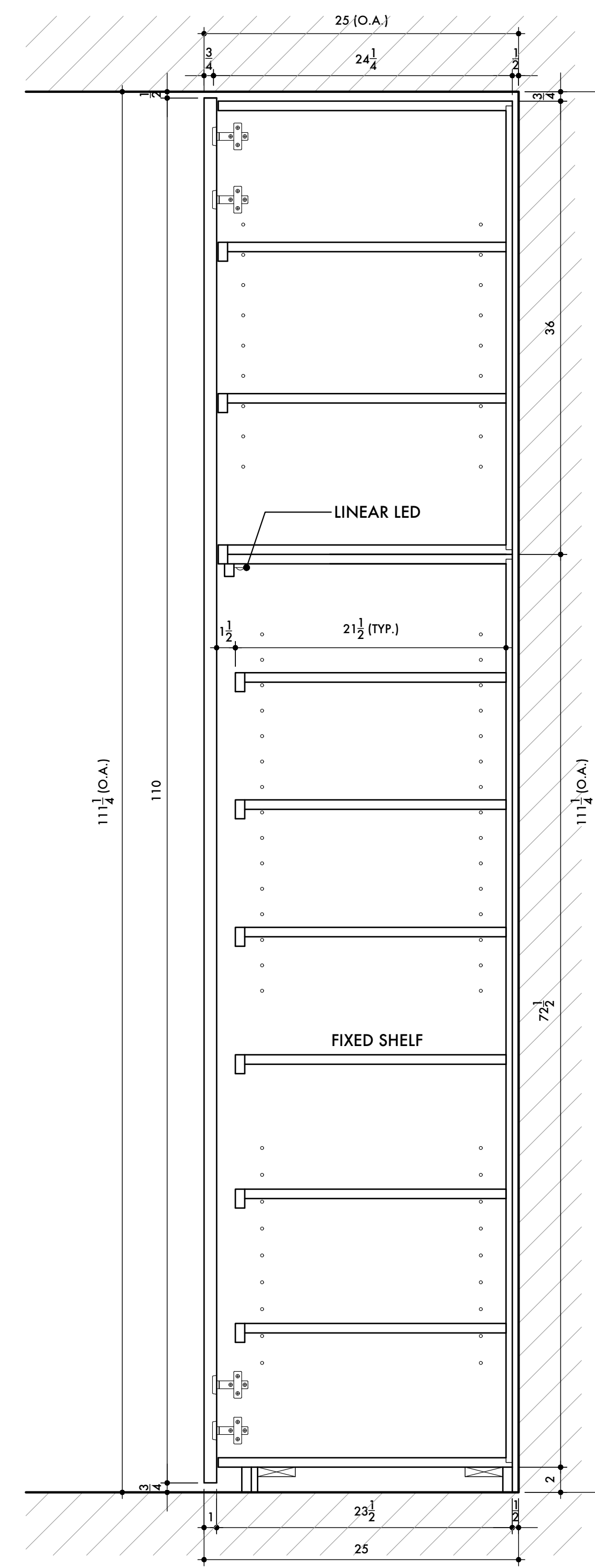


13 MASTER CLOSET SOUTH: PLAN (LOWER)
SCALE: 1-1/2" = 1'-0"

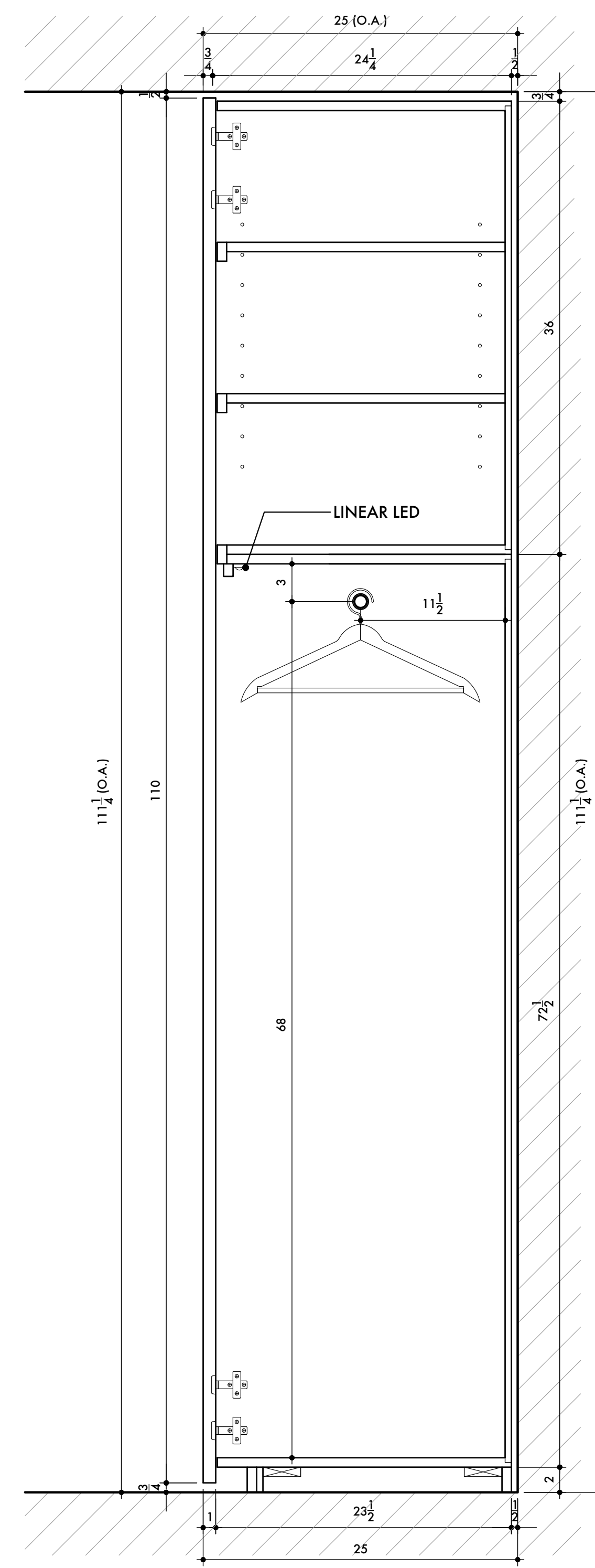
FINISH SCHEDULE	HARDWARE SCHEDULE	DRAWING RECORD	FIELD NOTES:	CONTRACTOR/MILLWORKER:	TITLE:
A. INTERIOR: PREFINISHED MAPLE PLYWOOD B. EXTERIOR: WHITE OAK VENEER W/ RUBIO MONOCOAT STAIN (COLOR TBD) C. EXTERIOR: SHOP FINISHED LACQUER (COLOR TBD)	1. DRAWERS: BLUM TANDEM PLUS (FULL EXTENSION). 2. HINGES: BLUM SELF CLOSING. 3. ADJUSTABLE SHELVES ON CHROME PINS. 4. PULLS & HANDLES BY OTHERS.	1. 2023/01/30 - SUBMITTED FOR REVIEW		SMD CONSTRUCTION GROUP	MASTER CLOSET: SOUTH WALL
				ARCHITECT: BORO ARCHITECTS	PROJECT: 225 LAFAYETTE STREET NEW YORK, NY 10012
				DRAWN BY: NRDESIGNS	



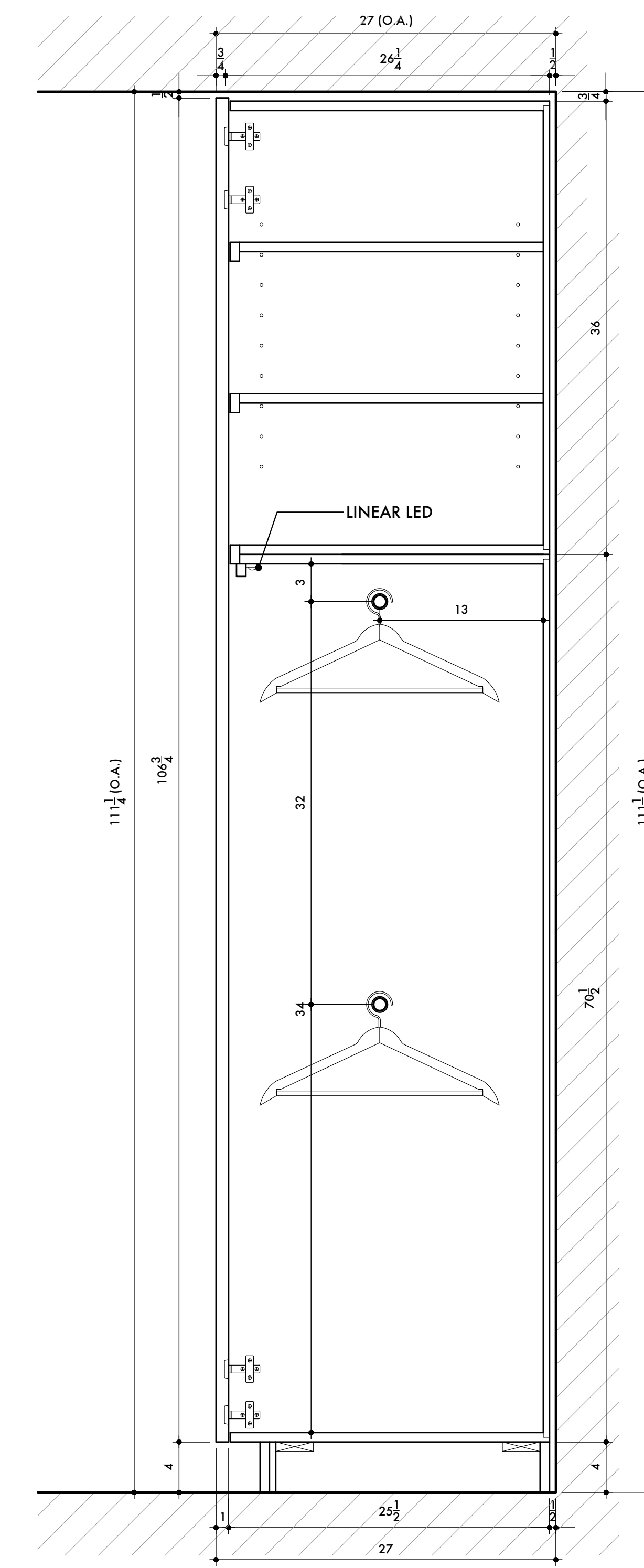
16 MASTER CLOSET NORTH: SECTION A
SCALE: 1-1/2" = 1'-0"



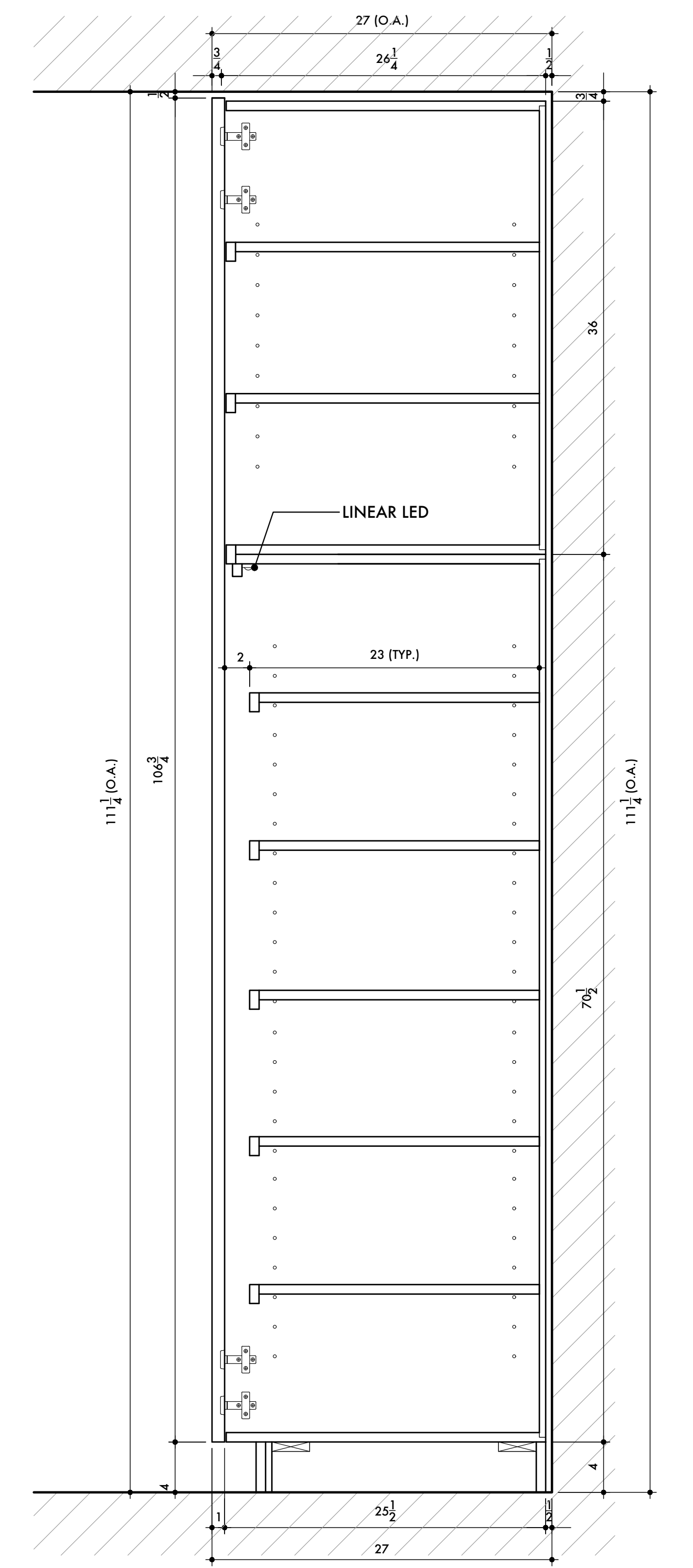
17 MASTER CLOSET NORTH: SECTION B
SCALE: 1-1/2" = 1'-0"



18 MASTER CLOSET SOUTH: SECTION C
SCALE: 1-1/2" = 1'-0"



19 MASTER CLOSET SOUTH: SECTION D
SCALE: 1-1/2" = 1'-0"



20 MASTER CLOSET NORTH: SECTION E
SCALE: 1-1/2" = 1'-0"

FINISH SCHEDULE

- A. INTERIOR: PREFINISHED MAPLE PLYWOOD
- B. EXTERIOR: WHITE OAK VENEER W/ RUBIO MONOCOAT STAIN (COLOR TBD)
- C. EXTERIOR: SHOP FINISHED LACQUER (COLOR TBD)

HARDWARE SCHEDULE

- 1. DRAWERS: BLUM TANDEM PLUS (FULL EXTENSION).
- 2. HINGES: BLUM SELF CLOSING.
- 3. ADJUSTABLE SHELVES ON CHROME PINS.
- 4. PULLS & HANDLES BY OTHERS.

DRAWING RECORD

- 1. 2023/01/30 - SUBMITTED FOR REVIEW

FIELD NOTES:

CONTRACTOR/MILLWORKER:

SMD CONSTRUCTION GROUP
ARCHITECT:
BORO ARCHITECTS
DRAWN BY:
NRDESIGNS

TITLE:

MASTER CLOSET: SECTIONS
PROJECT:
225 LAFAYETTE STREET
NEW YORK, NY 10012