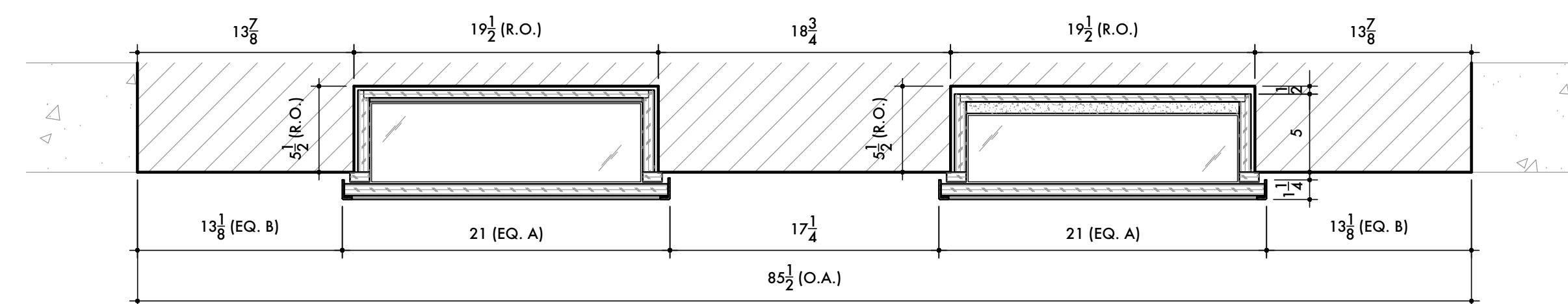
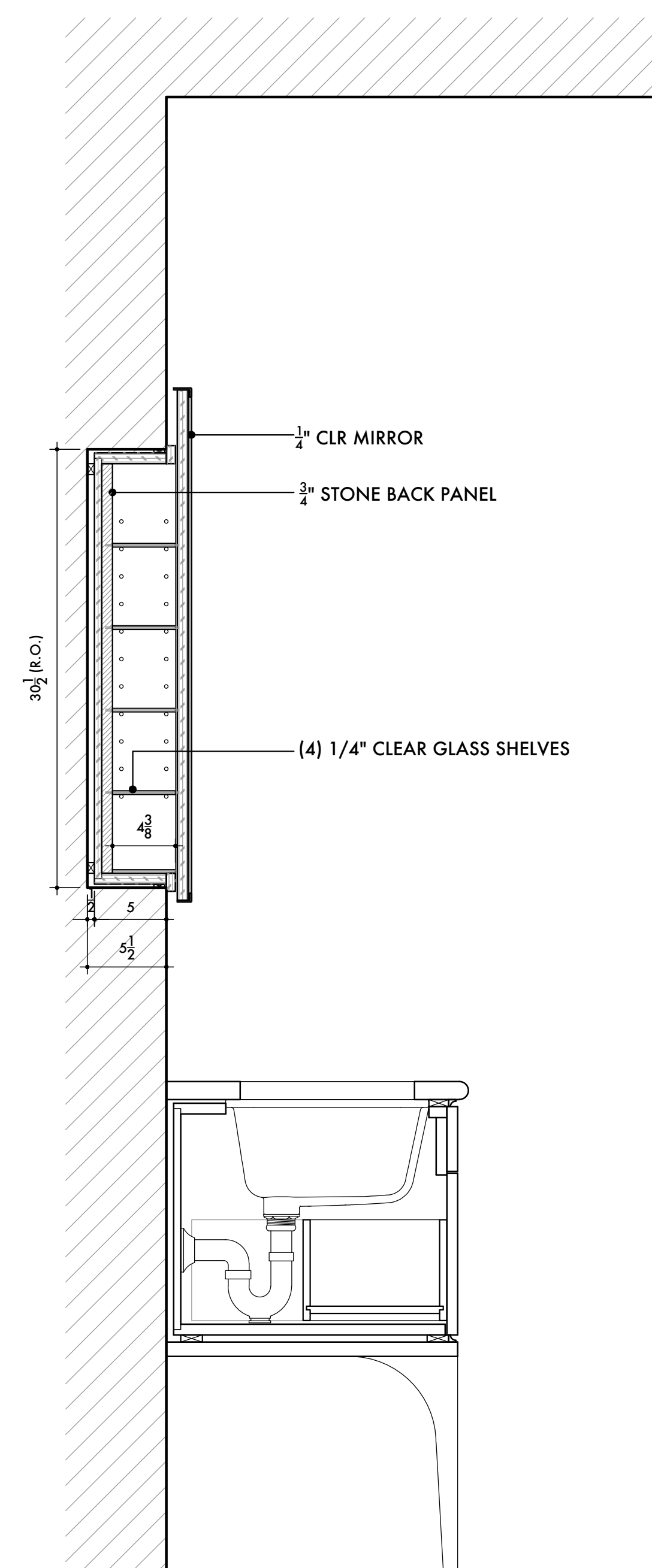


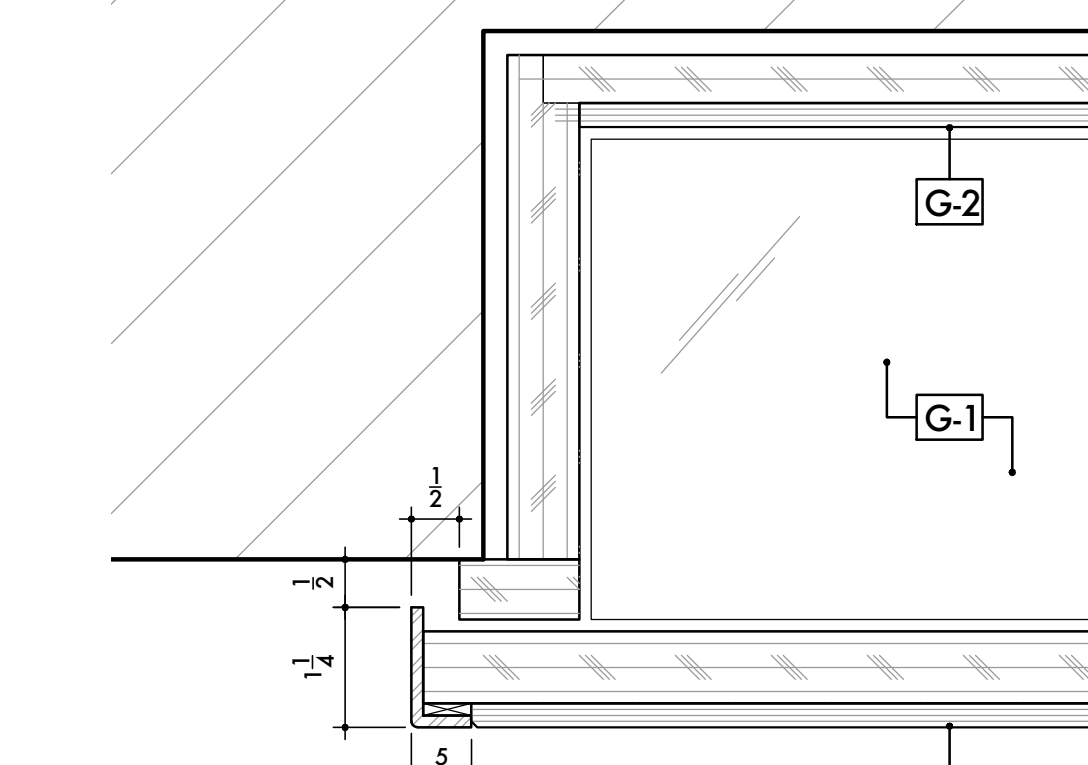
**03 MASTER BATH: MEDICINE CABINET - FRONT**  
SCALE: 1-1/2" = 1'-0"



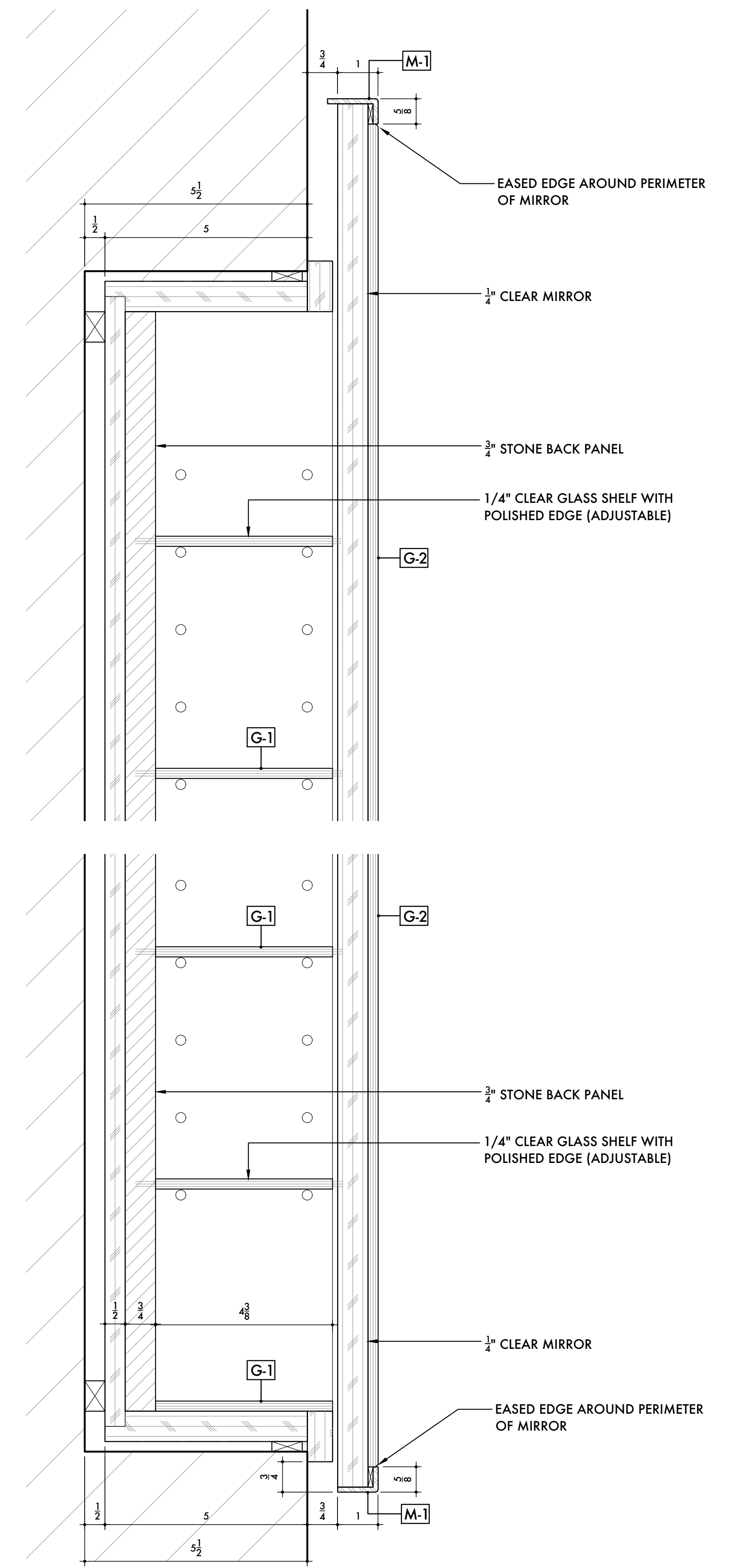
**03 MASTER BATH: MEDICINE CABINET - PLAN**  
SCALE: 1-1/2" = 1'-0"



**03 MASTER BATH: MEDICINE CABINET - SECTION**  
SCALE: 1-1/2" = 1'-0"



**03 MASTER BATH: MEDICINE CABINET - PLAN**  
SCALE: 1-1/2" = 1'-0"



**03 MASTER BATH: MEDICINE CABINET - PLAN**  
SCALE: 1-1/2" = 1'-0"

**FINISH SCHEDULE**

A	INTERIOR: PRE-FINISHED MAPLE PLYWOOD
G-1	EXTERIOR: CLEAR MIRROR
G-2	INTERIOR: CLEAR GLASS W/ POLISHED EDGE
M-1	EXTERIOR: POLISHED NICKEL

**HARDWARE SCHEDULE**

1.	DRAWERS: BLUM TANDEM PLUS (FULL EXTENSION).
2.	HINGES: BLUM SELF CLOSING.
3.	ADJUSTABLE SHELVES ON CHROME PINS.
4.	PULLS & HANDLES BY OTHERS. EDGE PULLS TO BE MORTISED INTO CABINET DOORS

**DRAWING RECORD**

1.	2022/12/22 - SUBMITTED FOR REVIEW
----	-----------------------------------

**FIELD NOTES:**

<b>MILLWORKER:</b>	SMD CONSTRUCTION GROUP
<b>ARCHITECT:</b>	BORO ARCHITECTS
<b>DRAWN BY:</b>	NRDESIGN + DRAFTING

<b>TITLE:</b>	MASTER BATH: MEDICINE CABINET
<b>PROJECT:</b>	225 LAFAYETTE ST, #4C NEW YORK, NY 10012