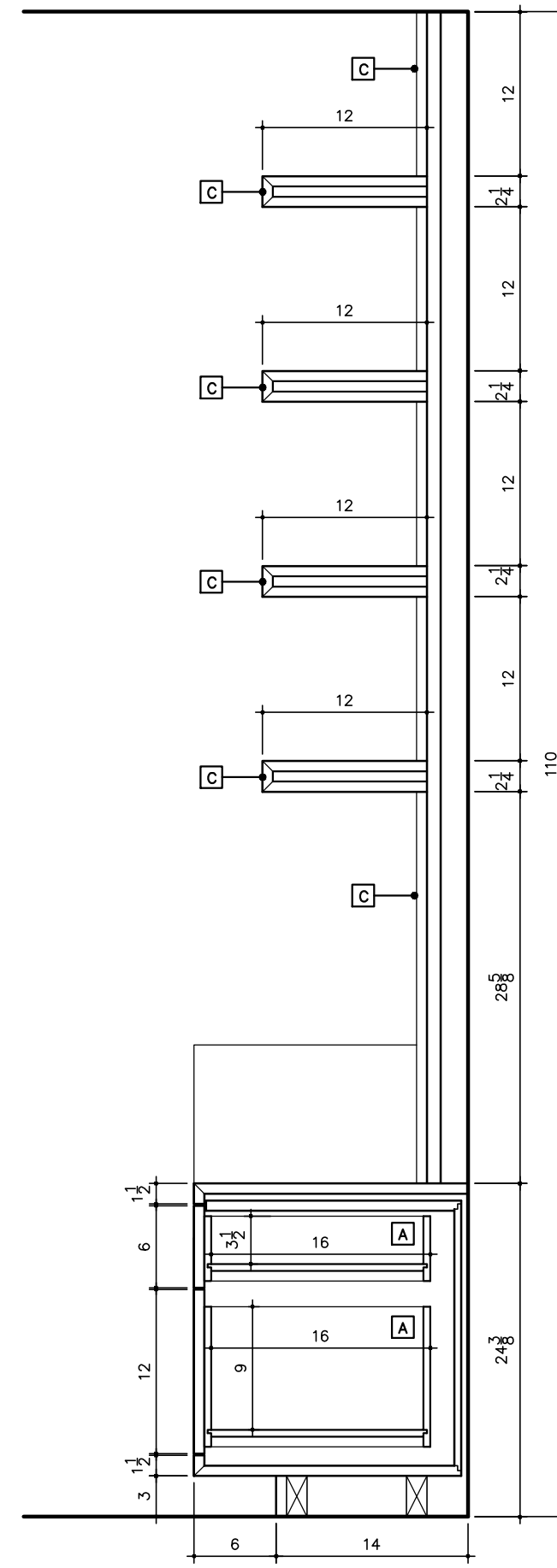
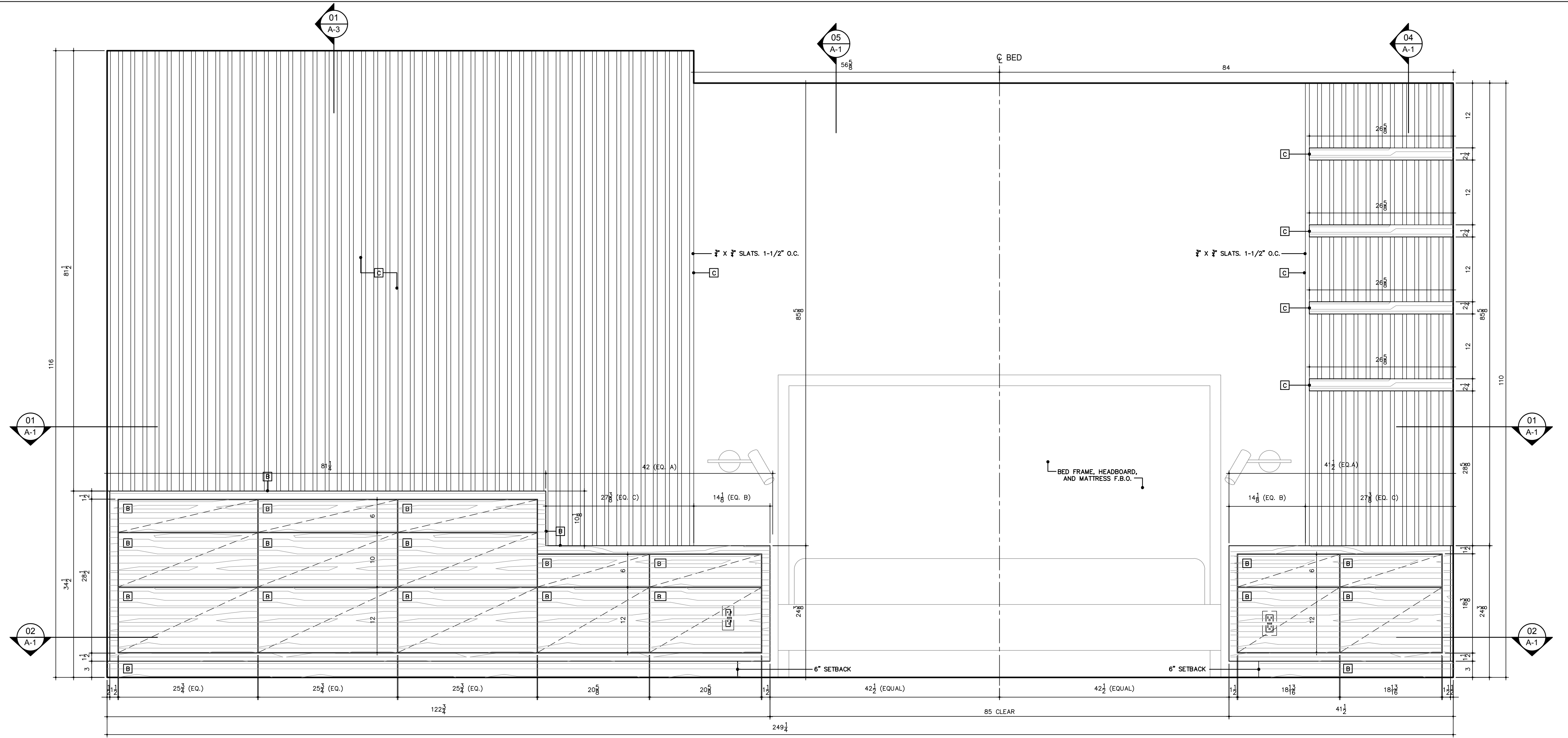


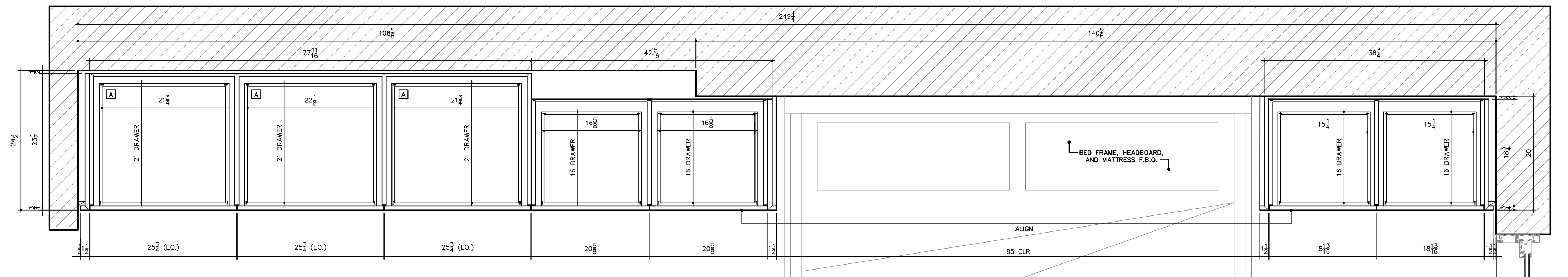
5 NIGHTSTAND LIGHT SWITCH DETAIL
SCALE: 1" = 1'-0"



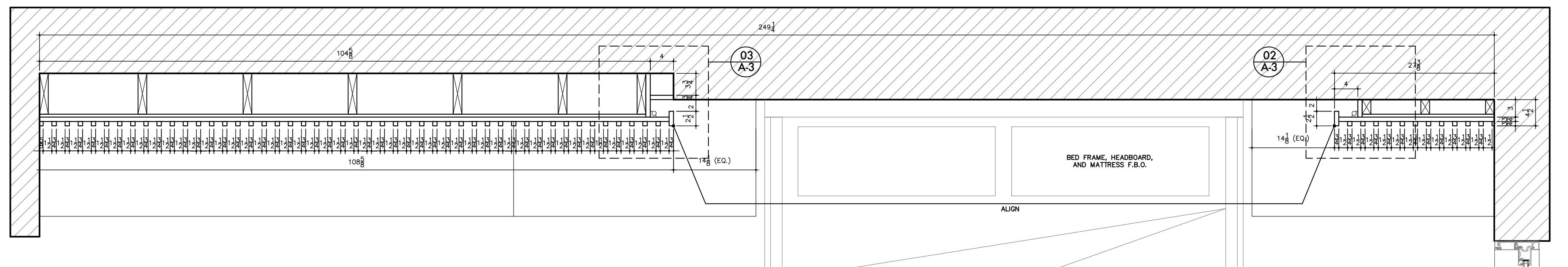
4 NIGHTSTAND SECTION
SCALE: 1" = 1'-0"



3 BEDROOM WALL EAST ELEVATION
SCALE: 1" = 1'-0"



2 DRESSER & NIGHTSTANDS PLAN
SCALE: 1" = 1'-0"



1 SLAT WALL PLAN
SCALE: 1" = 1'-0"

FINISH SCHEDULE	
A. INTERIOR: PRE FINISHED MAPLE	
B. EXTERIOR: LAMITECH - NEUTRAL OAK (1498 LG)	
C. EXTERIOR: LAMITECH - NEUTRAL OAK (1498 LG)	

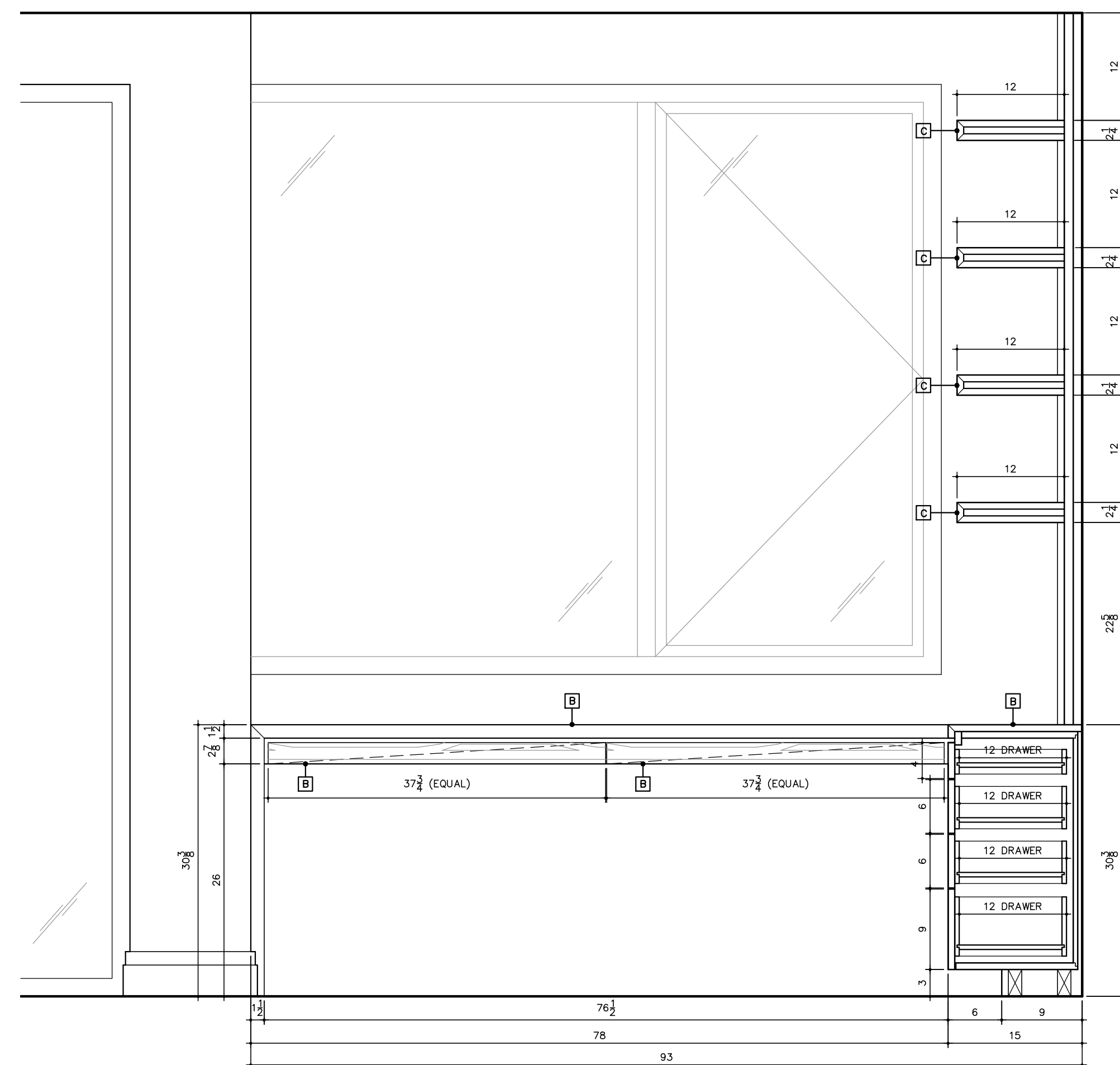
HARDWARE SCHEDULE	
1. DRAWERS: BLUM TANDEM PLUS (FULL EXTENSION).	
2. HINGES: BLUM SELF CLOSING.	
3. ADJUSTABLE SHELVES ON CHROME PINS.	
4. PULLS & HANDLES BY OTHERS.	

DRAWING RECORD	
1. 2021/05/19 - SUBMITTED FOR REVIEW	
2. 2021/05/21 - SUBMITTED FOR APPROVAL	
3. 2021/05/24 - APPROVED	

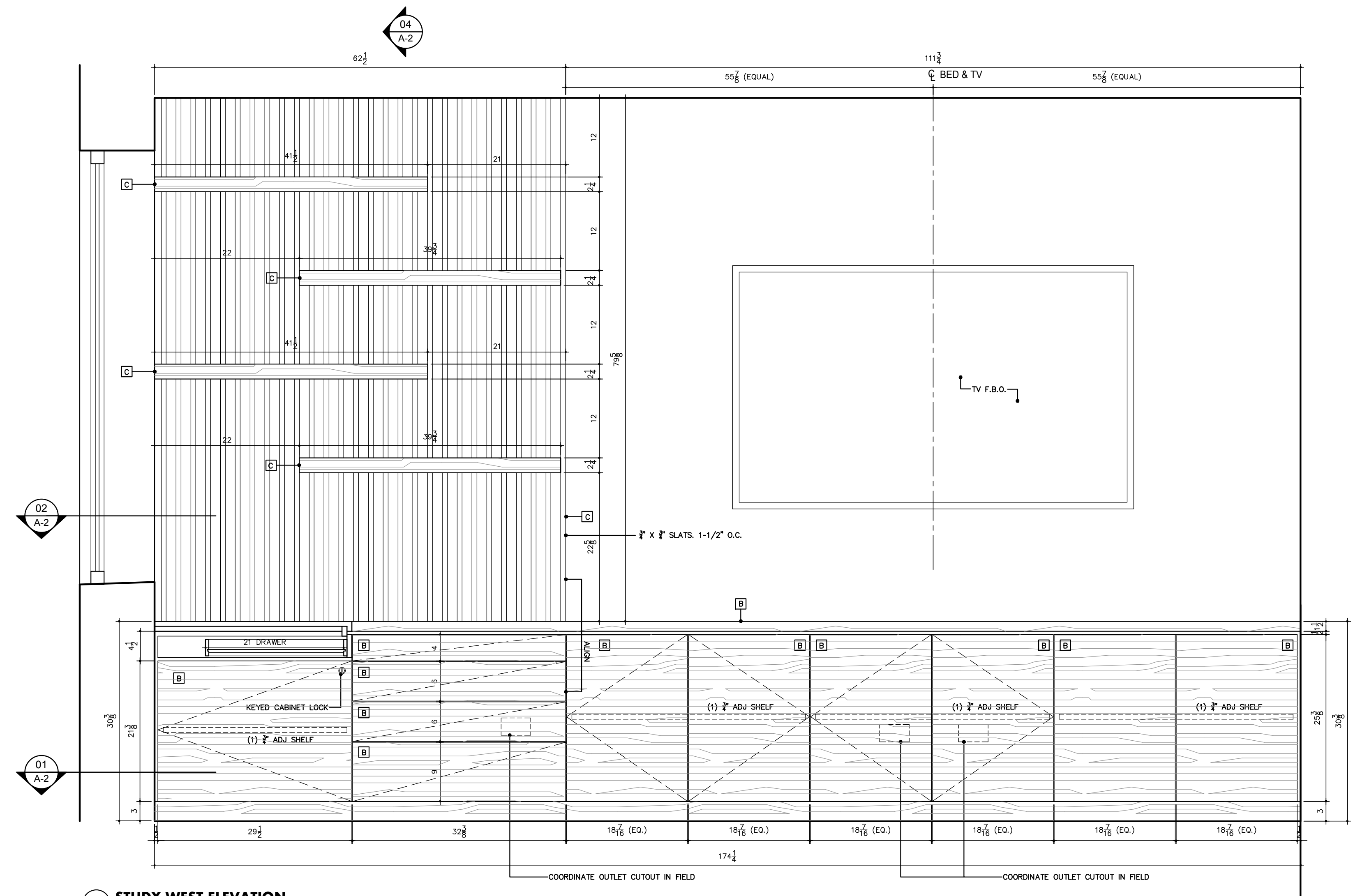
FIELD NOTES:	

CONTRACTOR/MILLWORKER:	
SMD CONSTRUCTION GROUP	
ARCHITECT:	
BORO ARCHITECTS	
DRAWN BY:	
NRDESIGNS	

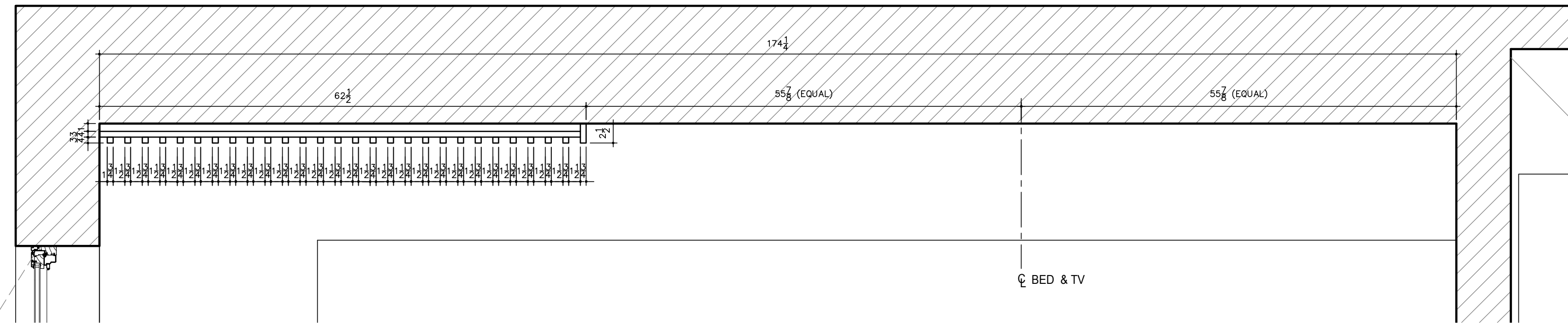
TITLE:	
MASTER BEDROOM & STUDY	
MILLWORK	
PROJECT:	
252 PRESIDENT ST.	
BROOKLYN, NY 11231	



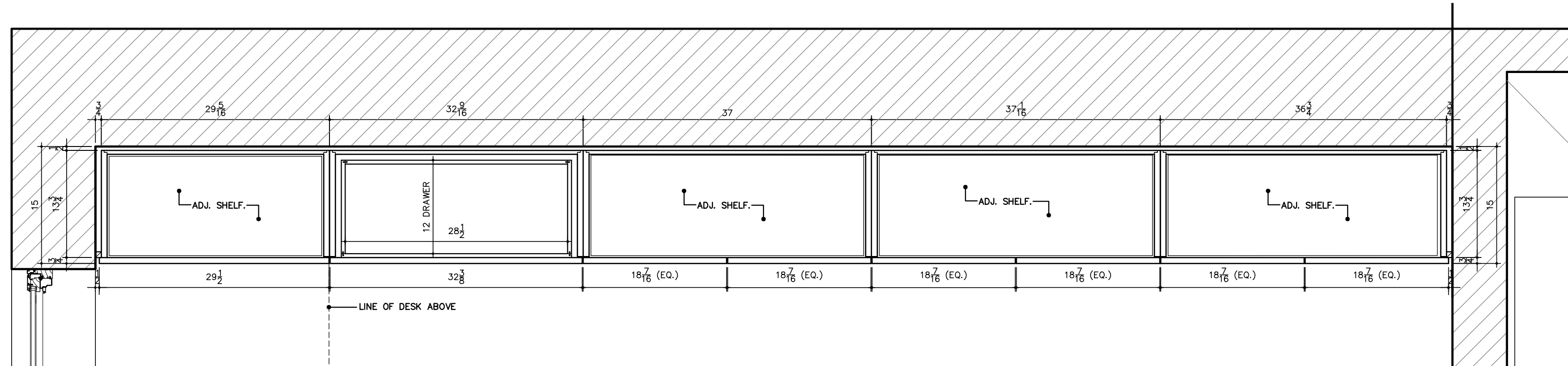
4 STUDY WEST ELEVATION
SCALE: 1" = 1'-0"



3 STUDY WEST ELEVATION
SCALE: 1" = 1'-0"



2 STUDY SLAT WALL PLAN
SCALE: 1" = 1'-0"



1 STUDY LOW CABINETS PLAN
SCALE: 1" = 1'-0"

FINISH SCHEDULE
A. INTERIOR: PRE FINISHED MAPLE
B. EXTERIOR: LAMITECH - NEUTRAL OAK (1498 LG)
C. EXTERIOR: LAMITECH - NEUTRAL OAK (1498 LG)

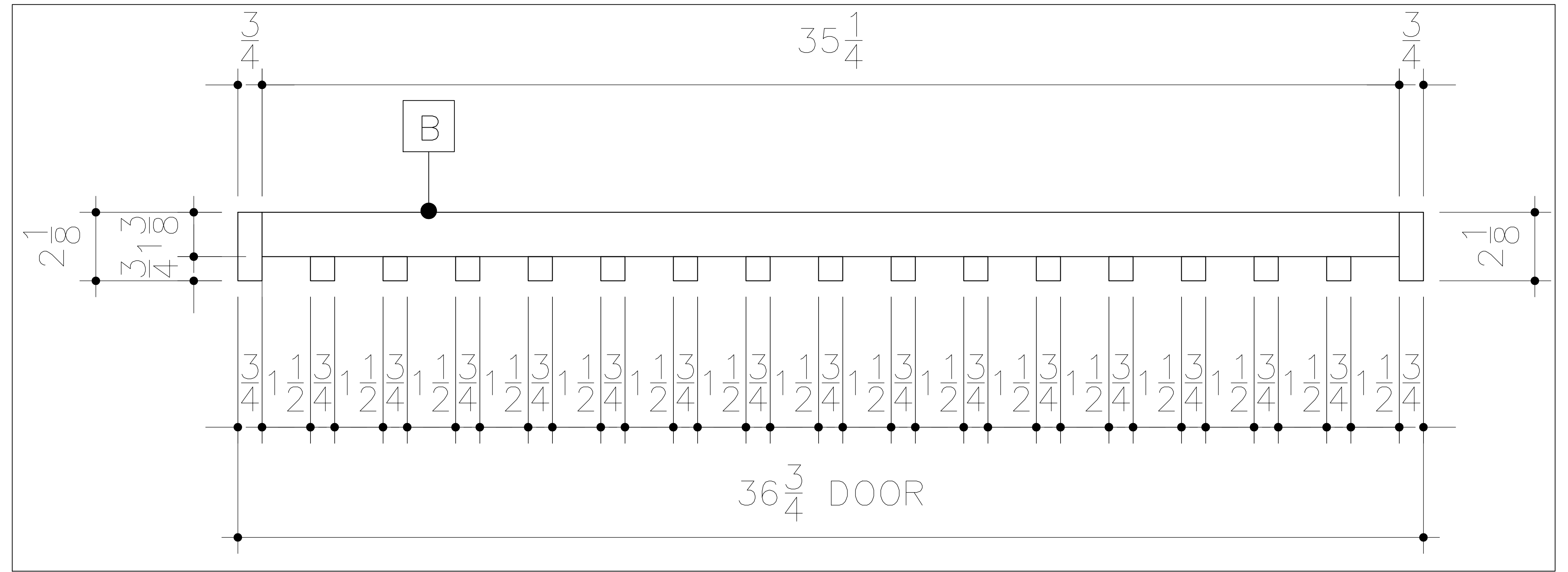
HARDWARE SCHEDULE
1. DRAWERS: BLUM TANDEM PLUS (FULL EXTENSION).
2. HINGES: BLUM SELF CLOSING.
3. ADJUSTABLE SHELVES ON CHROME PINS.
4. PULLS & HANDLES BY OTHERS.

DRAWING RECORD
1. 2021/05/19 - SUBMITTED FOR REVIEW
2. 2021/05/21 - SUBMITTED FOR APPROVAL
3. 2021/05/24 - APPROVED

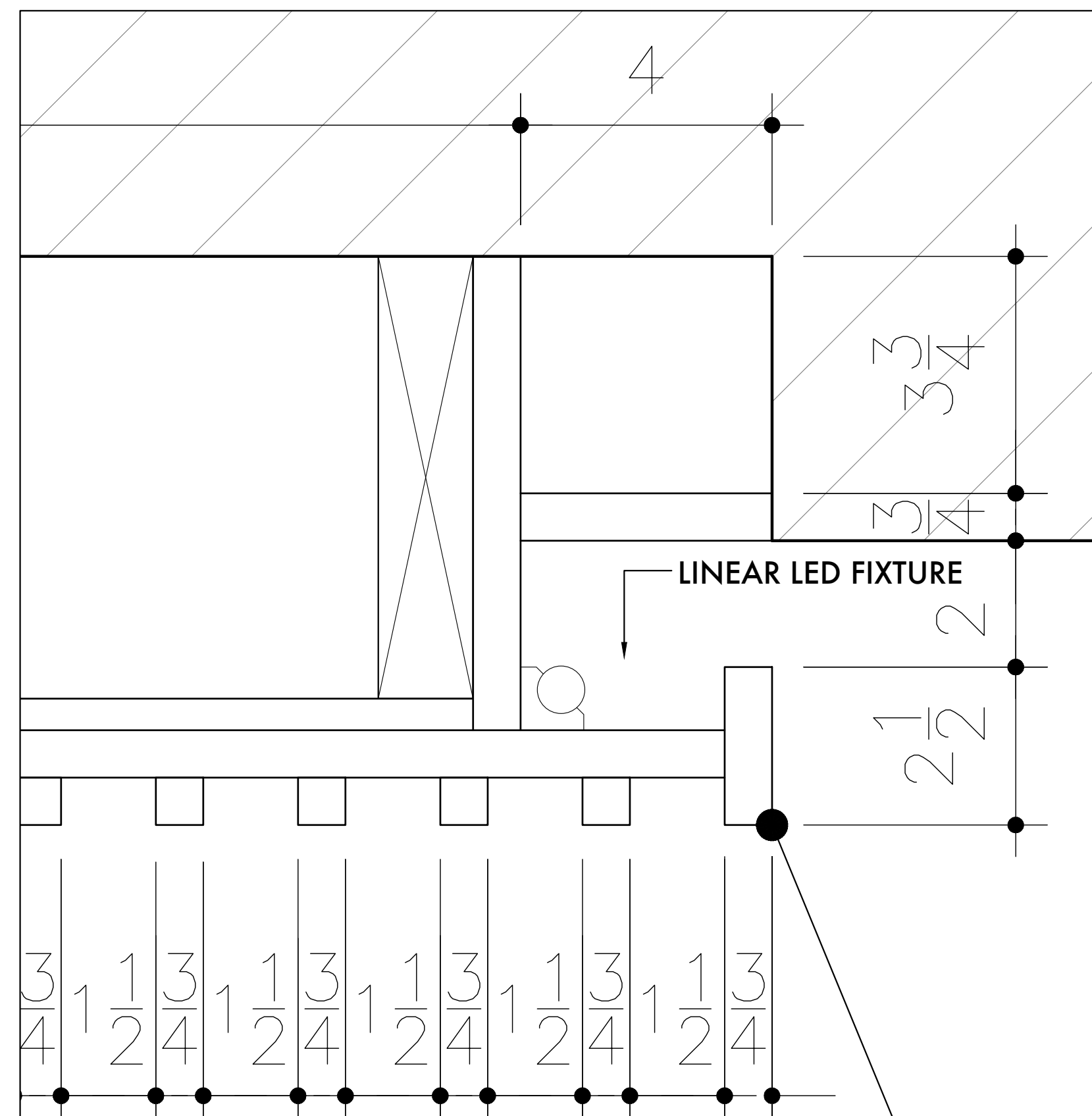
FIELD NOTES:

CONTRACTOR/MILLWORKER: SMD CONSTRUCTION GROUP
ARCHITECT: BORO ARCHITECTS
DRAWN BY: NRDESIGNS

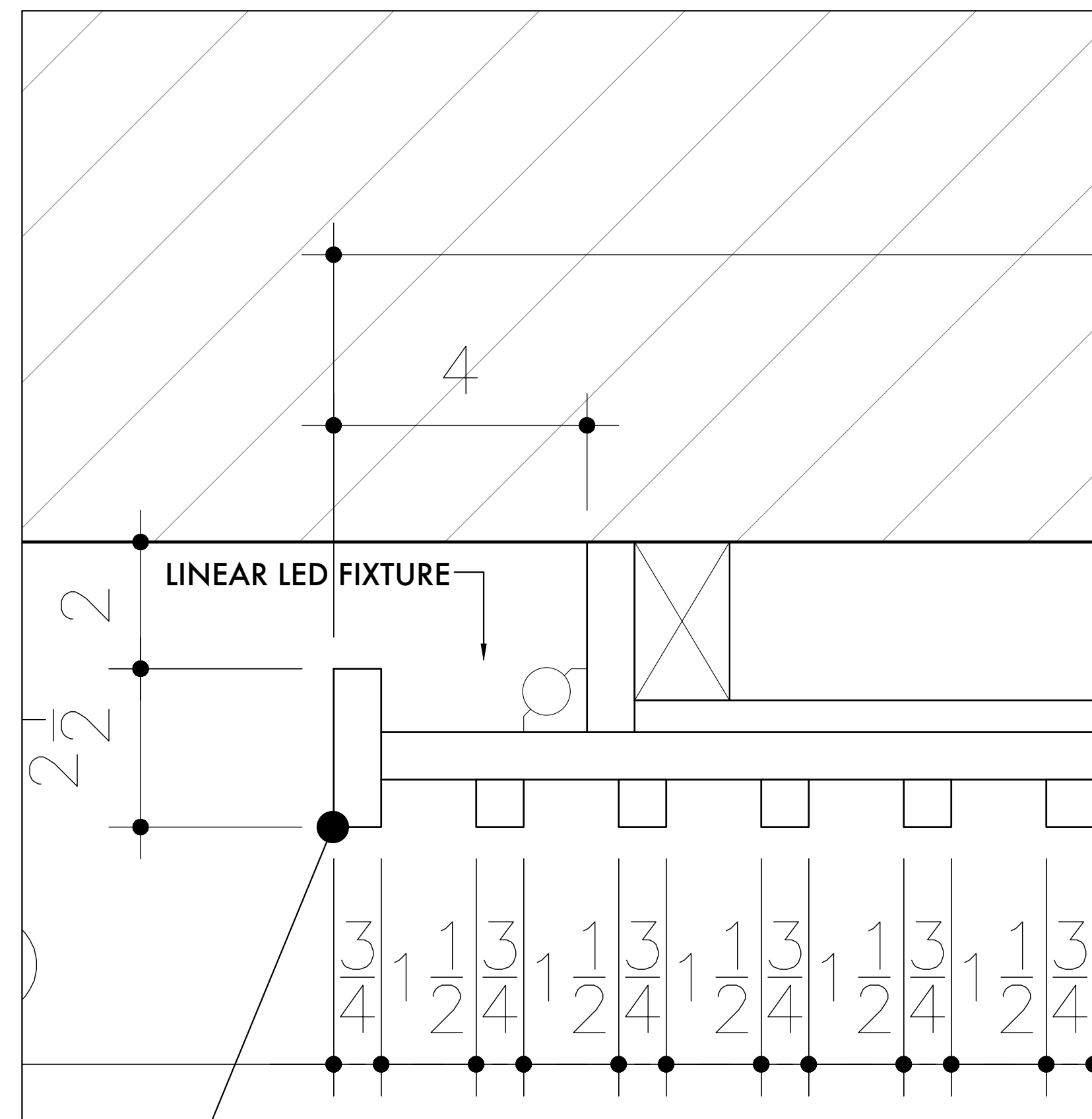
TITLE: MASTER BEDROOM & STUDY MILLWORK
PROJECT: 252 PRESIDENT ST. BROOKLYN, NY 11231



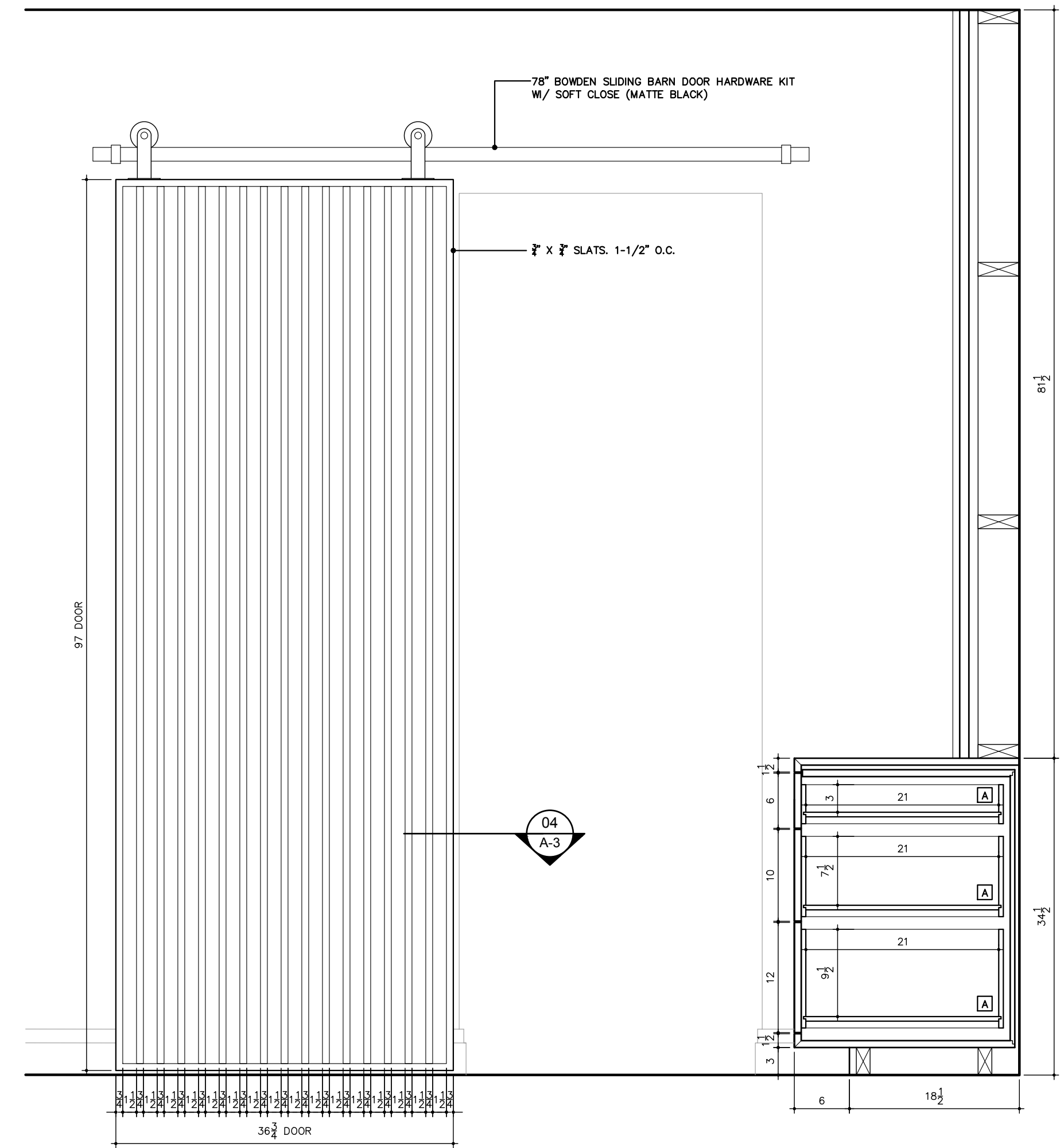
4 BARN DOOR PLAN
SCALE: 1" = 1'-0"



3 SLAT WALL LIGHTING DETAIL
SCALE: 6" = 1'-0"



2 SLAT WALL LIGHTING DETAIL
SCALE: 6" = 1'-0"



1 BARN DOOR ELEVATION
SCALE: 1" = 1'-0"

FINISH SCHEDULE	
A. INTERIOR: PRE FINISHED MAPLE	
B. EXTERIOR: LAMITECH - NEUTRAL OAK (1498 LG)	
C. EXTERIOR: LAMITECH - NEUTRAL OAK (1498 LG)	

HARDWARE SCHEDULE	
1. DRAWERS: BLUM TANDEM PLUS (FULL EXTENSION)	
2. HINGES: BLUM SELF CLOSING	
3. ADJUSTABLE SHELVES ON CHROME PINS	
4. PULLS & HANDLES BY OTHERS	

DRAWING RECORD	
1. 2021/05/19 - SUBMITTED FOR REVIEW	
2. 2021/05/21 - SUBMITTED FOR APPROVAL	
3. 2021/05/24 - APPROVED	

FIELD NOTES:	

CONTRACTOR/MILLWORKER:	
SMD CONSTRUCTION GROUP	
ARCHITECT:	
BORO ARCHITECTS	
DRAWN BY:	
NRDESIGNS	

TITLE:	
MASTER BEDROOM & STUDY	
MILLWORK	
PROJECT:	
252 PRESIDENT ST.	
BROOKLYN, NY 11231	