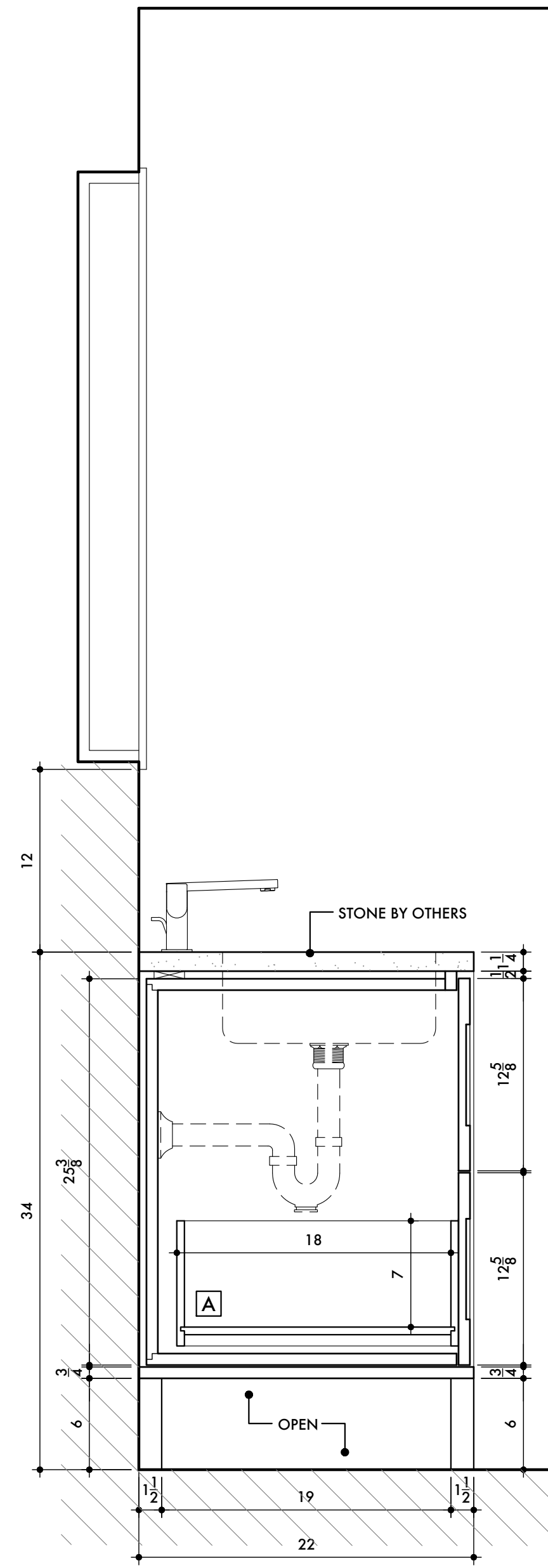
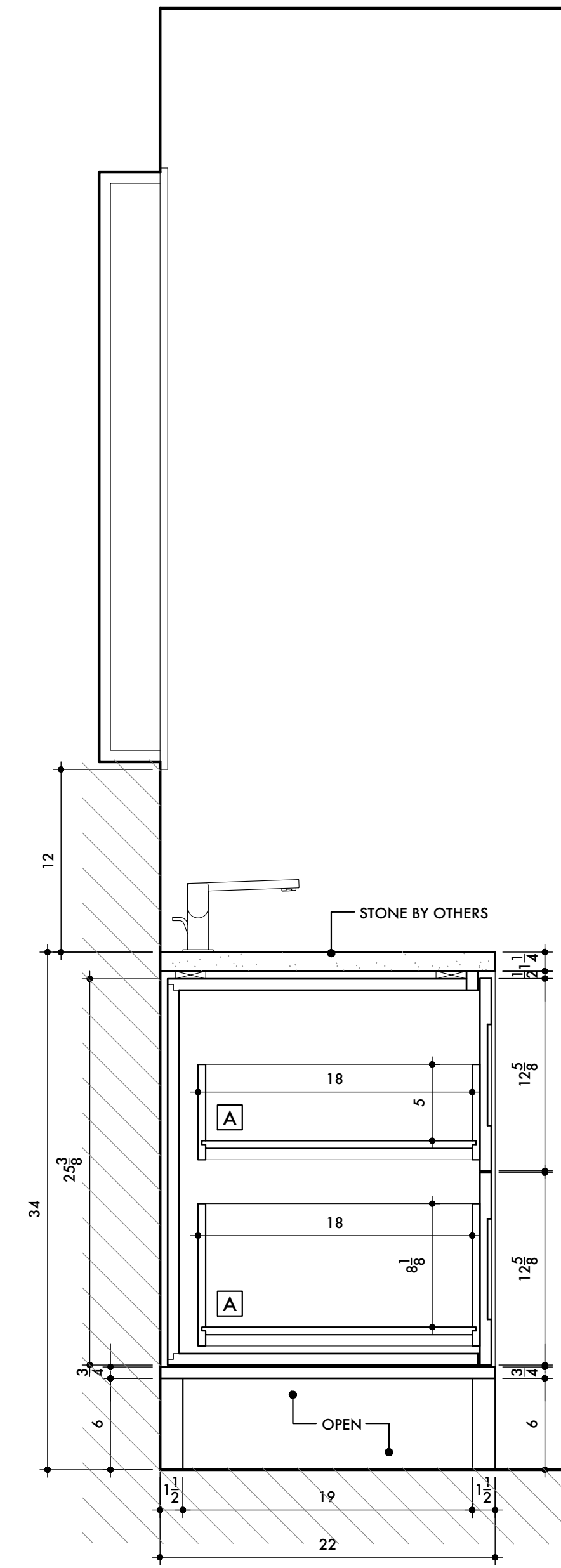


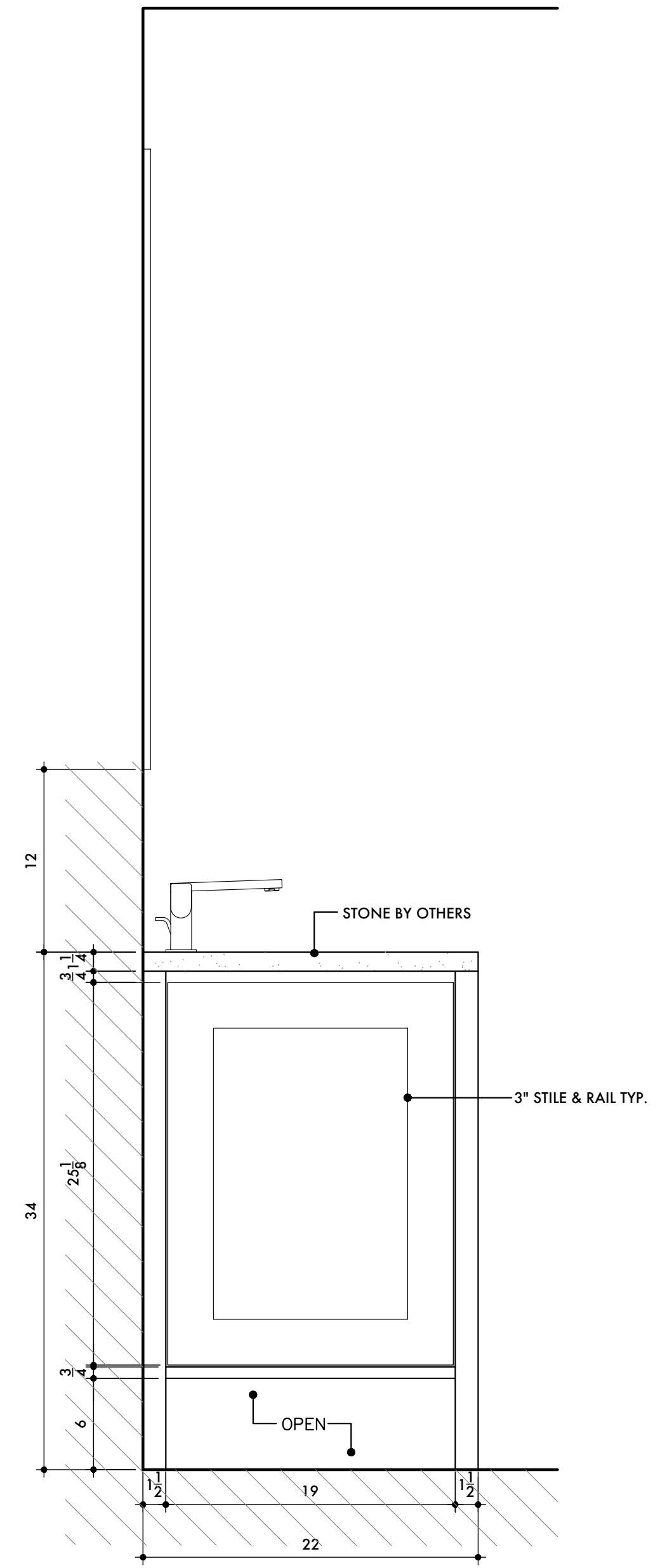
1 MASTER BATH-06 VANITY: FRONT
SCALE: 1-1/2" = 1'-0"



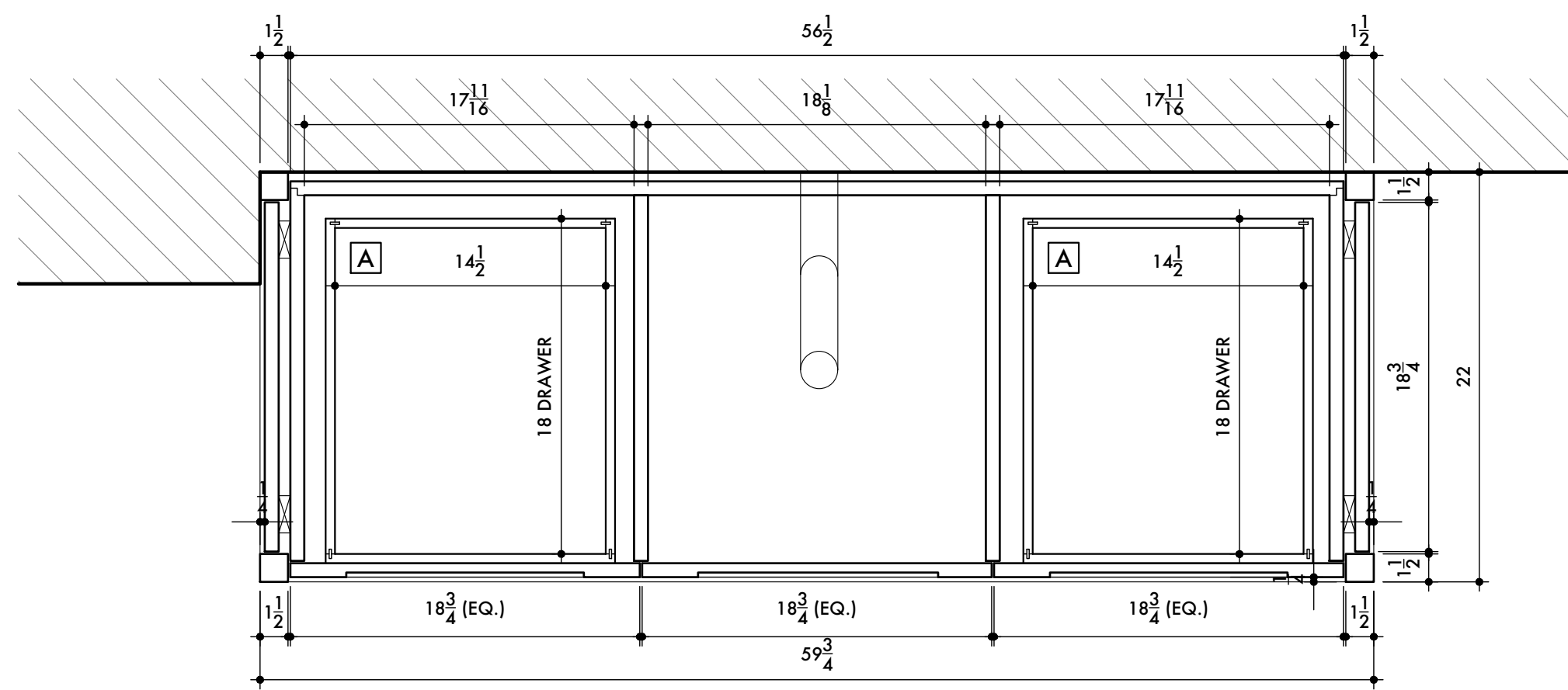
2 MASTER BATH-06 VANITY: SINK SECTION
SCALE: 1-1/2" = 1'-0"



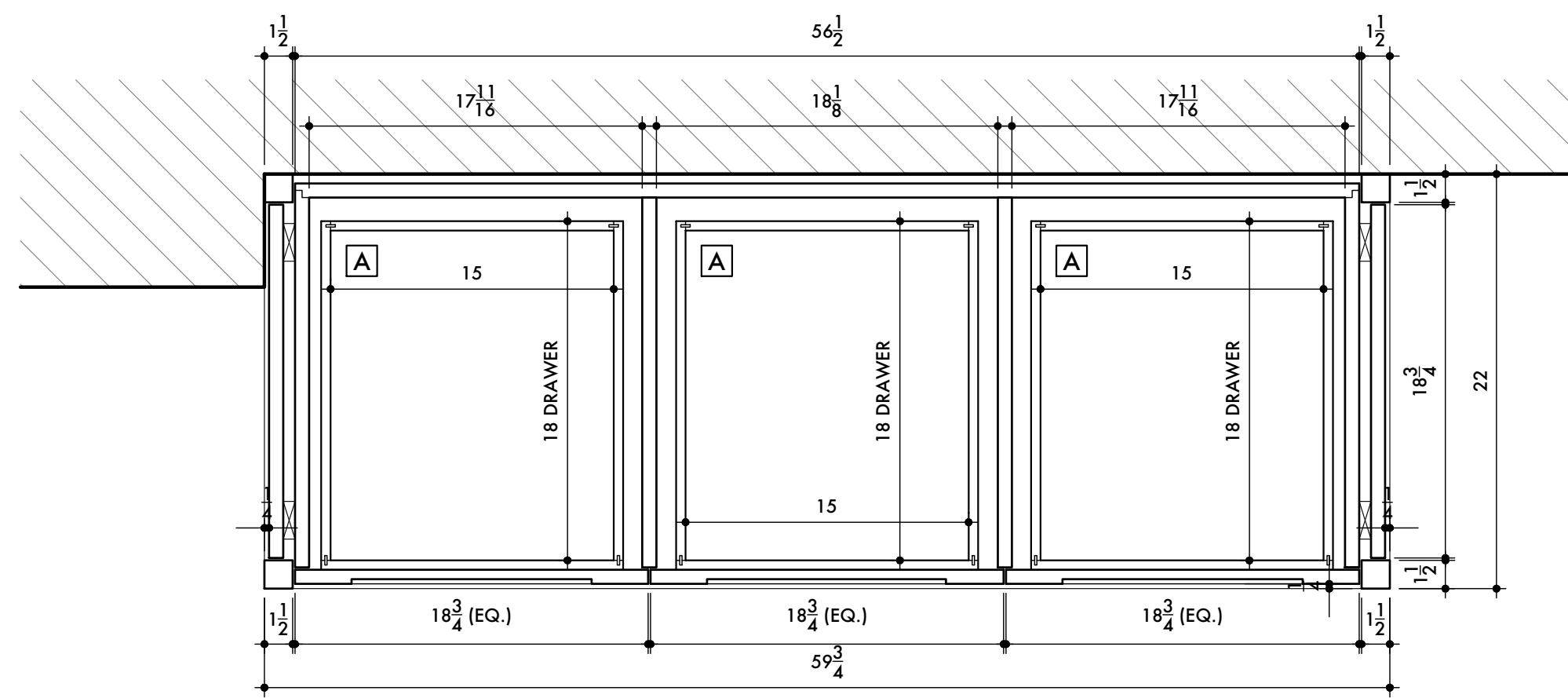
3 MASTER BATH-06 VANITY: DRAWER SECTION
SCALE: 1-1/2" = 1'-0"



4 MASTER BATH-06 VANITY: LEFT SIDE
SCALE: 1-1/2" = 1'-0"

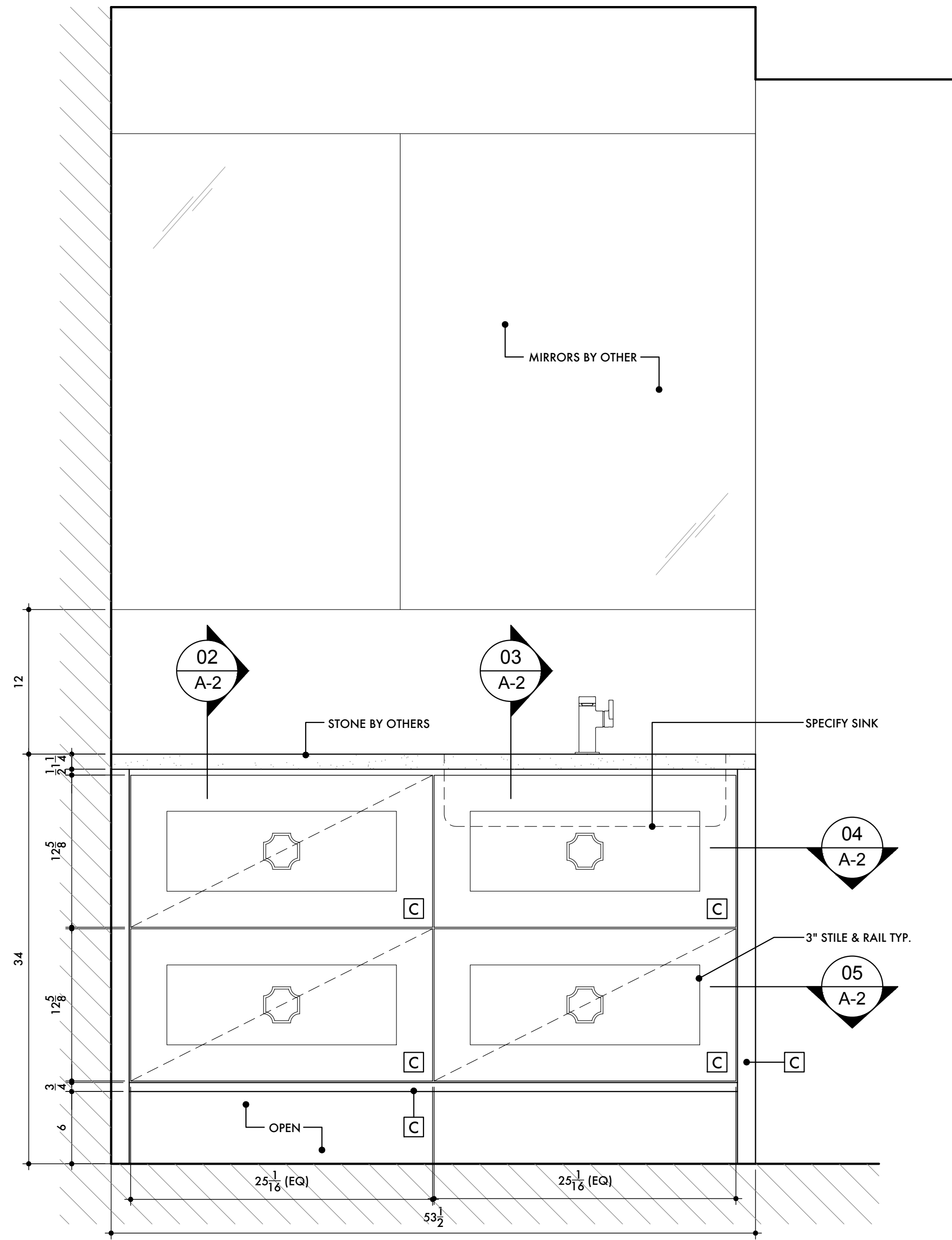


5 MASTER BATH-06 VANITY: TOP DRAWER PLAN SECTION
SCALE: 1-1/2" = 1'-0"

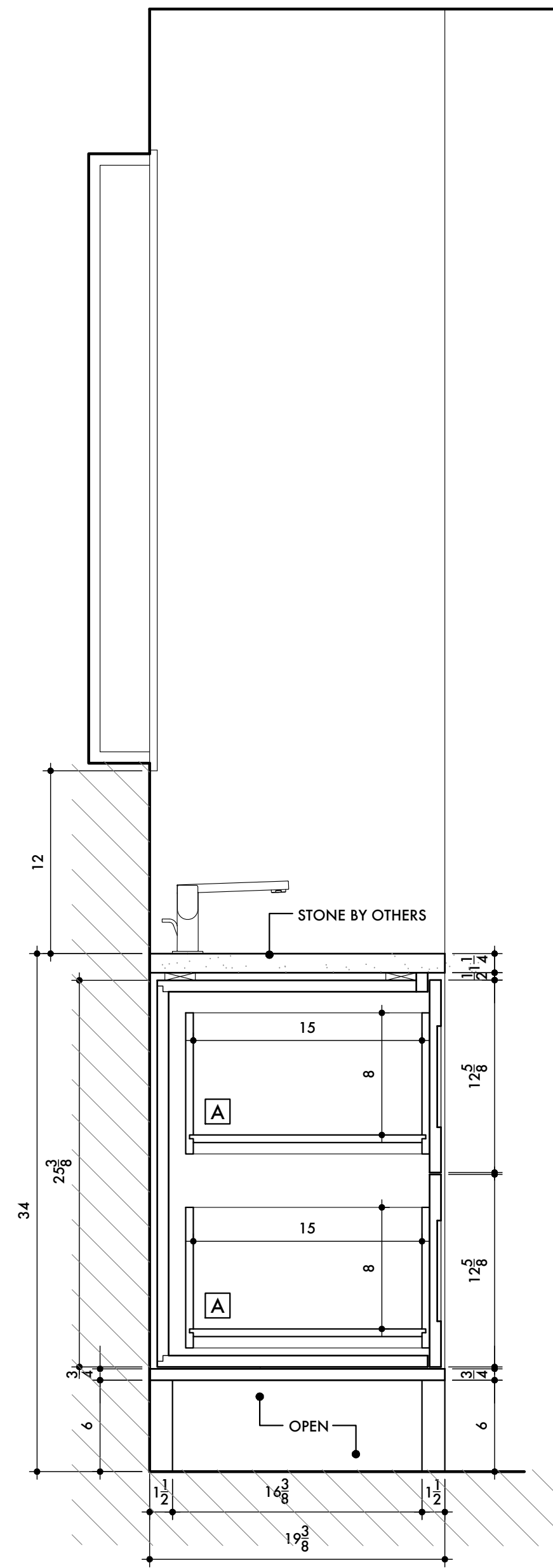


6 MASTER BATH-06 VANITY: BOTTOM DRAWER PLAN SECTION
SCALE: 1-1/2" = 1'-0"

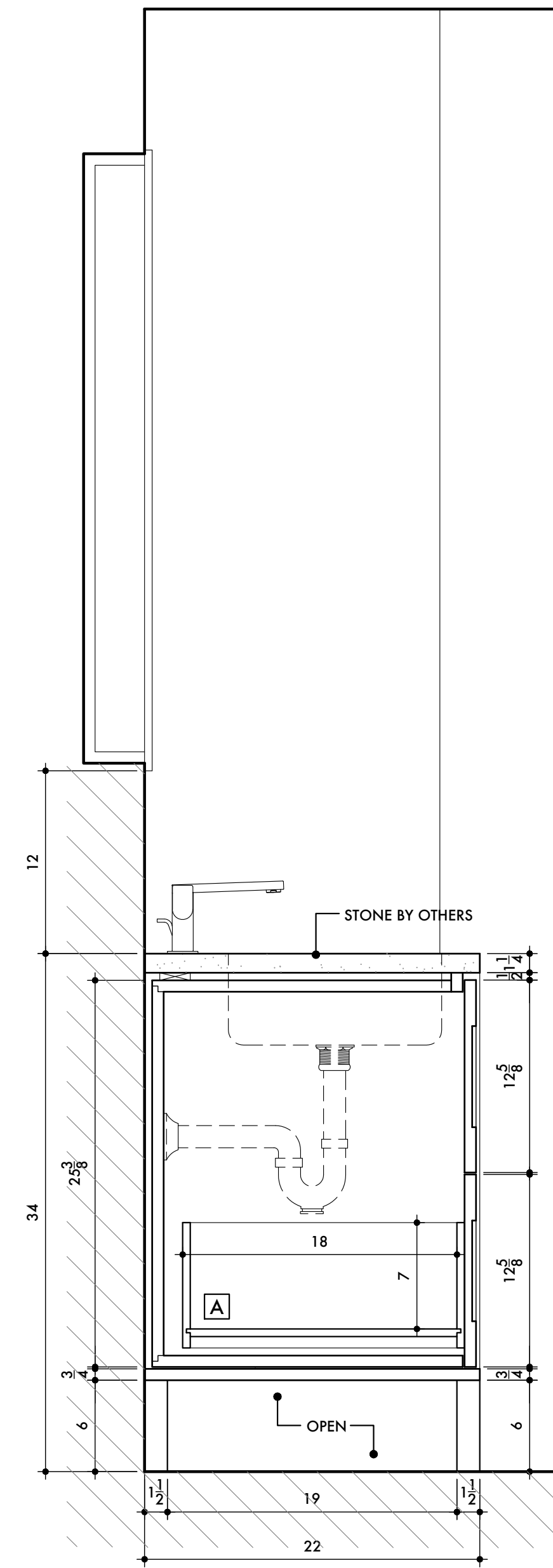
FINISH SCHEDULE	HARDWARE SCHEDULE	DRAWING RECORD	FIELD NOTES:	CONTRACTOR/MILLWORKER:	TITLE:
A. INTERIOR: PRE-FINISHED MAPLE PLYWOOD B. EXTERIOR: SHOP FINISHED LACQUER (COLOR TBD)	1. DRAWERS: BLUM TANDEM PLUS (FULL EXTENSION). 2. HINGES: BLUM SELF CLOSING. 3. ADJUSTABLE SHELVES ON CHROME PINS. 4. PULLS & HANDLES BY OTHERS.	1. 2021/11/81 - SUBMITTED FOR REVIEW 2. 2021/11/25 - SUBMITTED FOR APPROVAL		SMD CONSTRUCTION GROUP ARCHITECT: TACET CREATIONS DRAWN BY: NRDESIGNS	MASTER BATHROOM-06 VANITY PROJECT: 45 E 85TH ST. NEW YORK, NY 10028



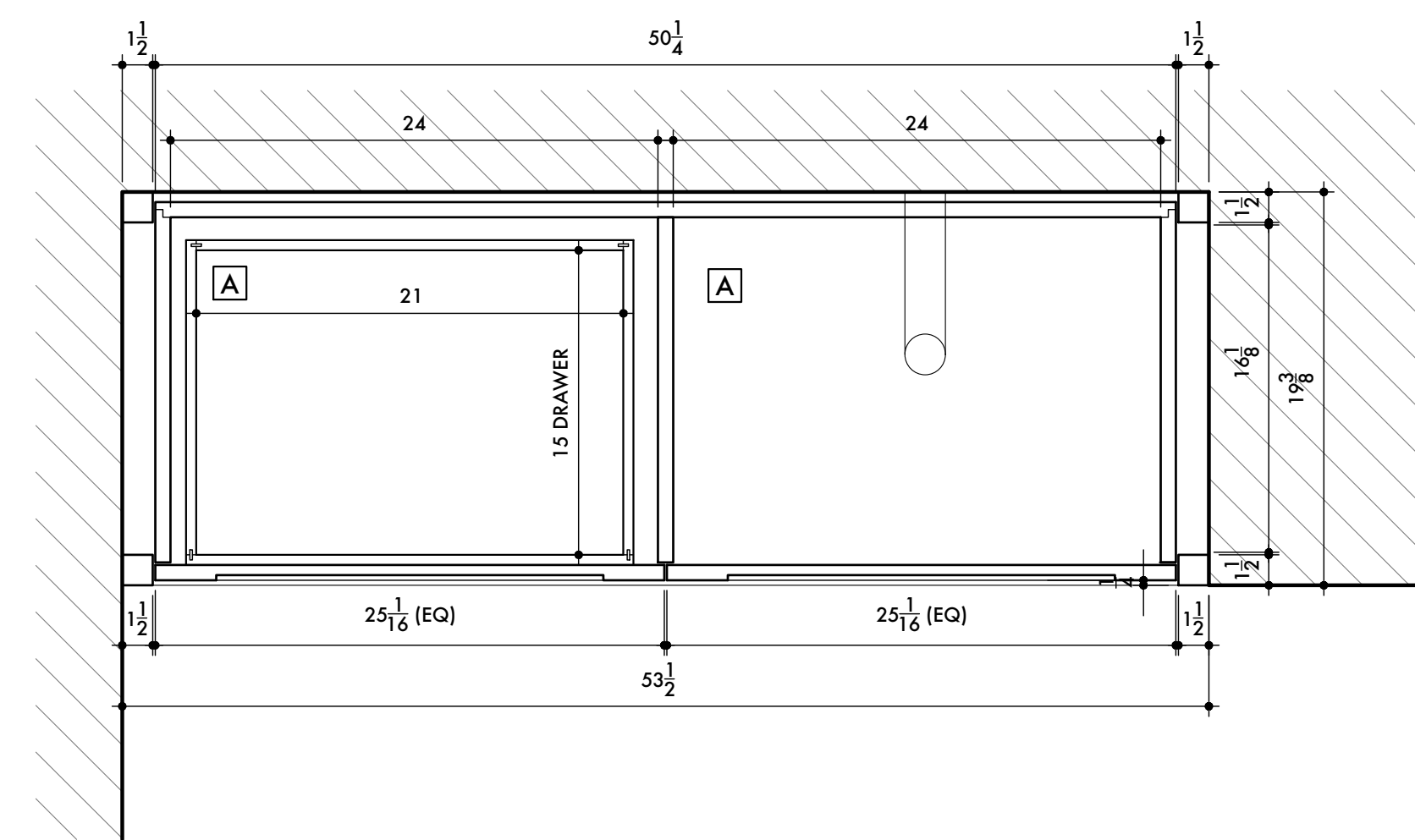
1 BATHROOM-09 VANITY: FRONT
SCALE: 1-1/2" = 1'-0"



2 BATHROOM-09 VANITY: DRAWER SECTION
SCALE: 1-1/2" = 1'-0"

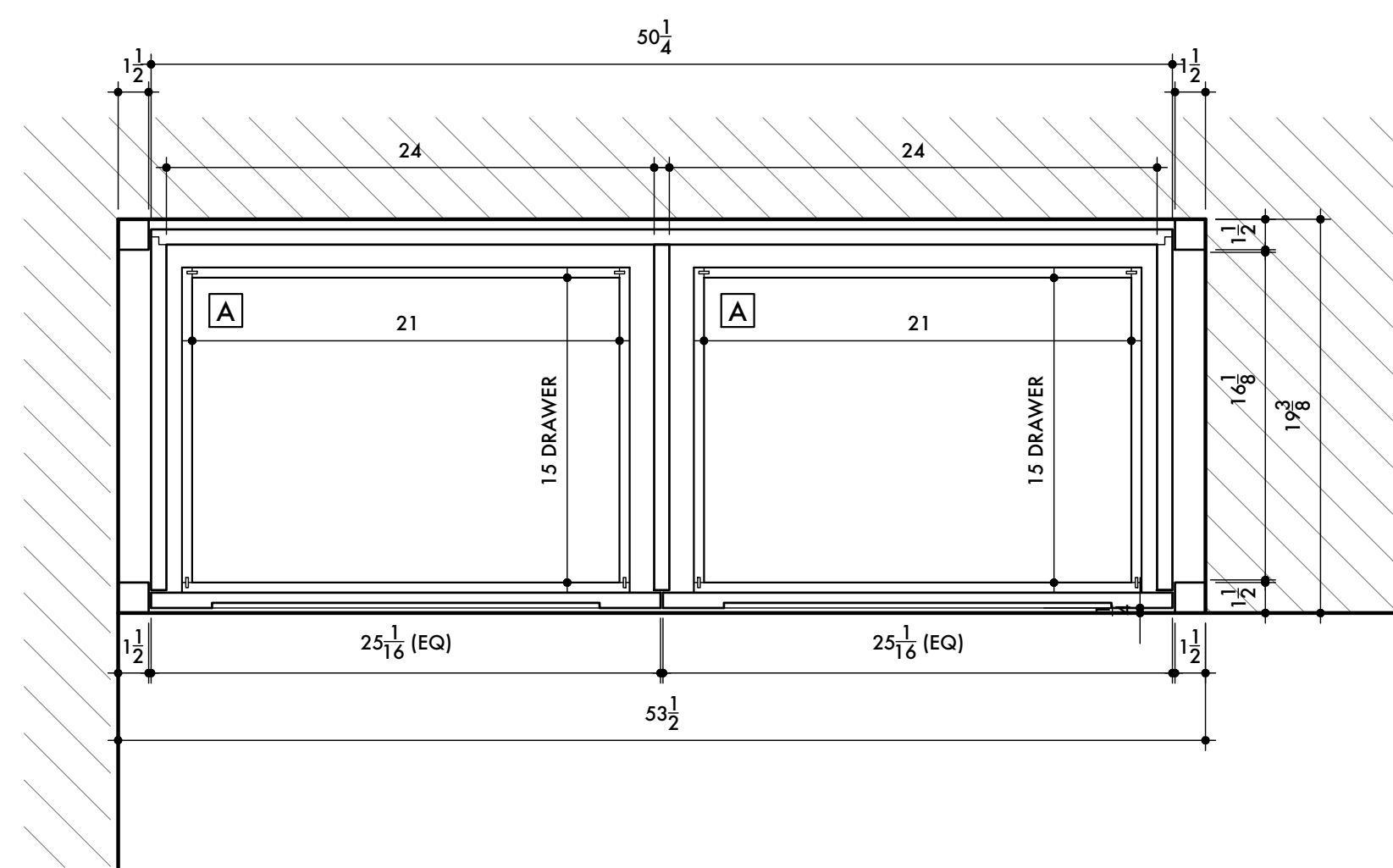


3 BATHROOM-09 VANITY: SINK SECTION
SCALE: 1-1/2" = 1'-0"



BATHROOM-09 VANITY: TOP DRAWER PLAN SECTION

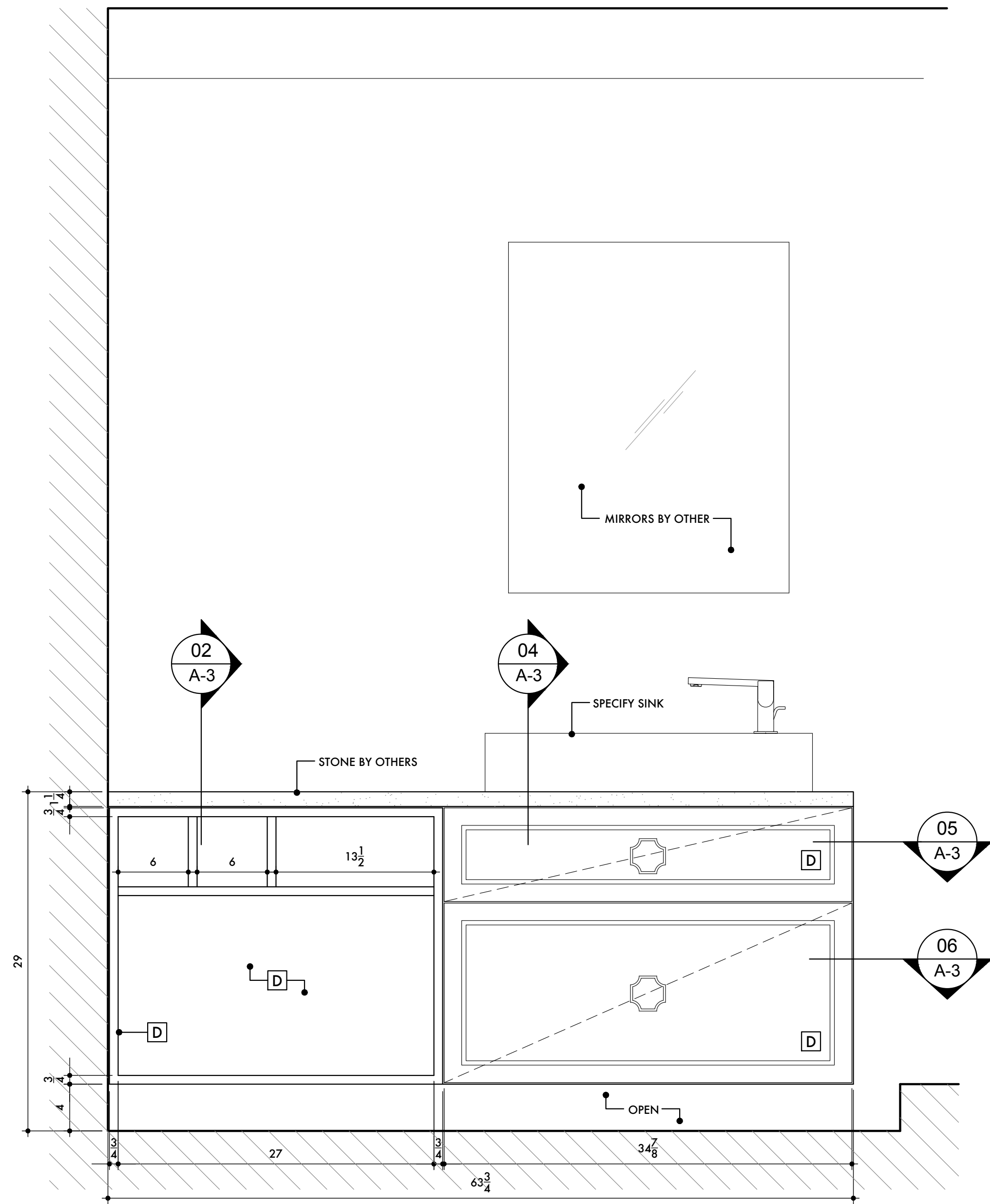
4 SCALE: 1-1/2" = 1'-0"



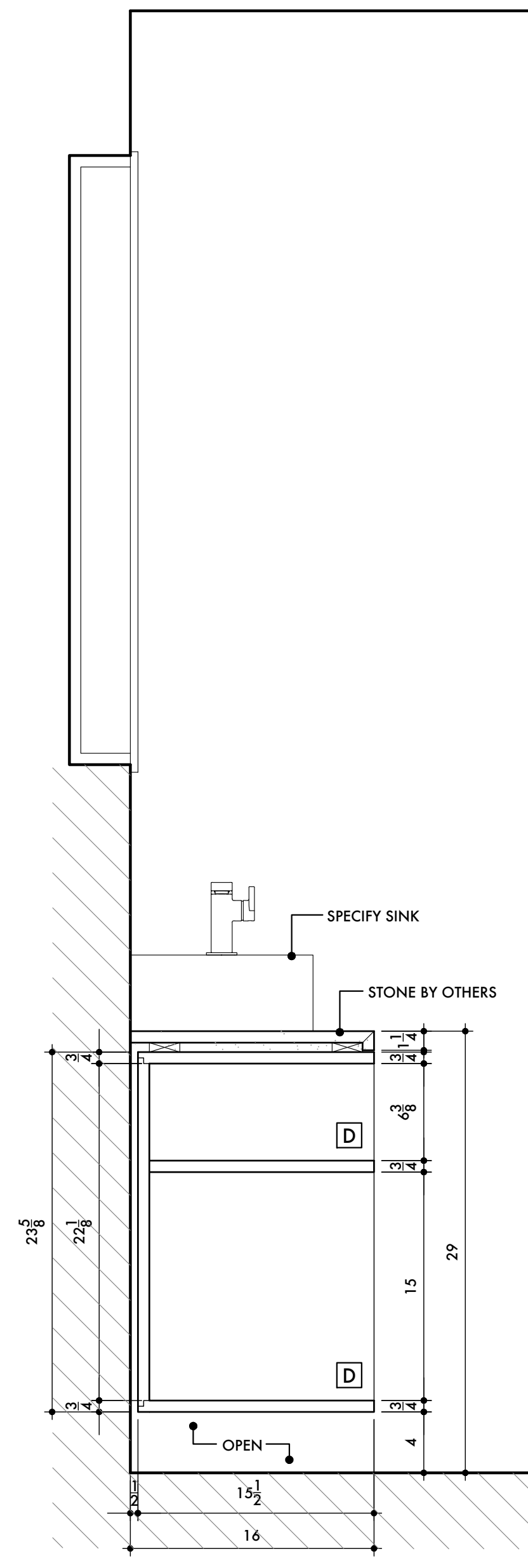
5 BATHROOM-09 VANITY: BOTTOM DRAWER PLAN SECTION

5 SCALE: 1-1/2" = 1'-0"

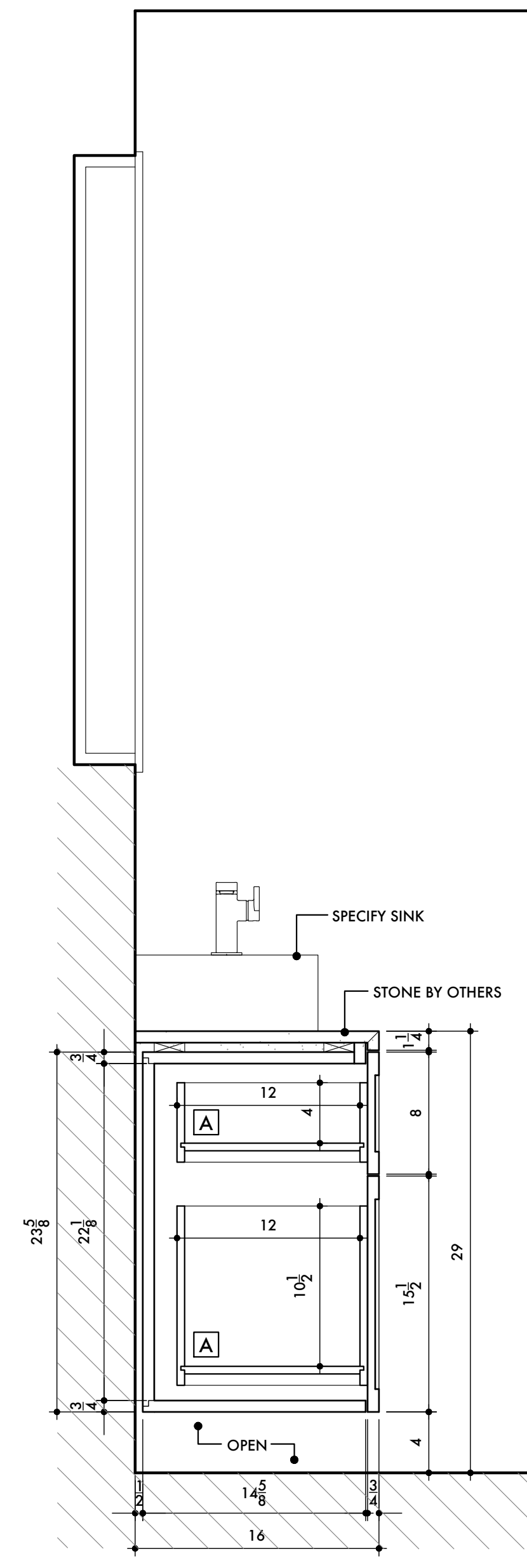
FINISH SCHEDULE	HARDWARE SCHEDULE	DRAWING RECORD	FIELD NOTES:	CONTRACTOR/MILLWORKER:	TITLE:
A. INTERIOR: PRE-FINISHED MAPLE PLYWOOD C. EXTERIOR: SHOP FINISHED LACQUER (COLOR TBD)	1. DRAWERS: BLUM TANDEM PLUS (FULL EXTENSION). 2. HINGES: BLUM SELF CLOSING. 3. ADJUSTABLE SHELVES ON CHROME PINS. 4. PULLS & HANDLES BY OTHERS.	1. 2021/11/08 - SUBMITTED FOR REVIEW 2. 2021/11/25 - SUBMITTED FOR APPROVAL		SMD CONSTRUCTION GROUP	BATHROOM-09 VANITY
				TACET CREATIONS	PROJECT:
				NRDESIGNS	45 E 85TH ST. NEW YORK, NY 10028



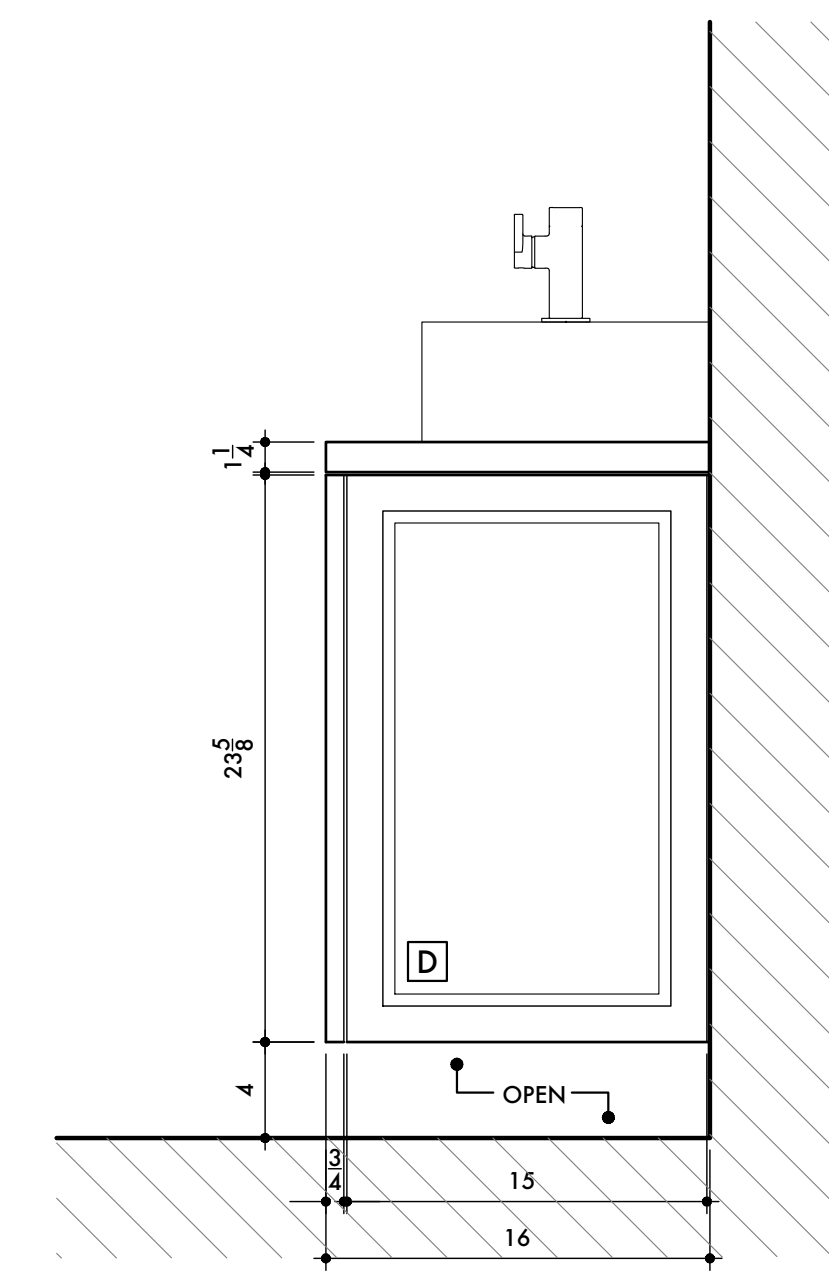
1 POWDER ROOM-04 VANITY: FRONT
SCALE: 1-1/2" = 1'-0"



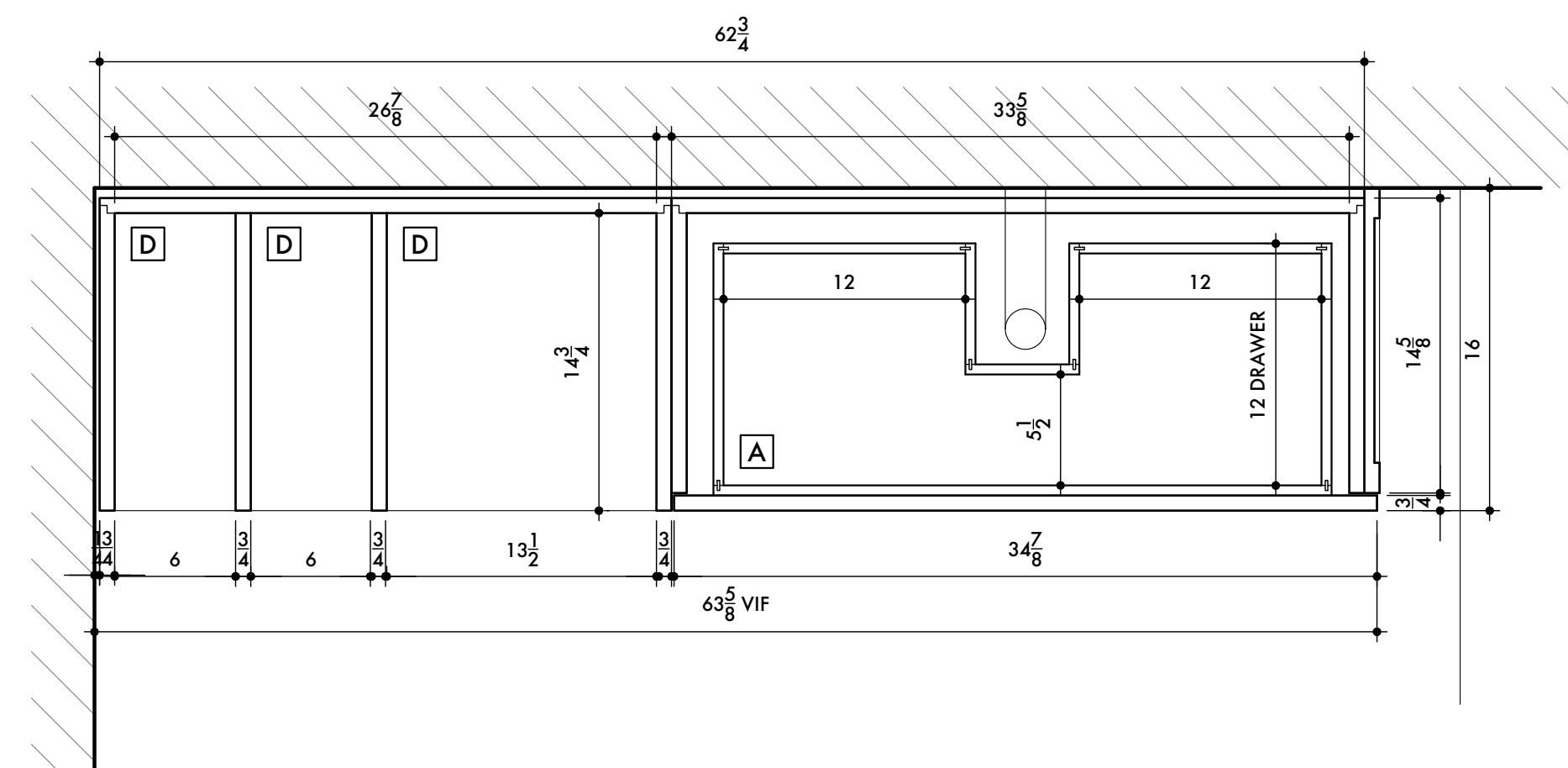
2 POWDER ROOM-04 VANITY: SINK SECTION
SCALE: 1-1/2" = 1'-0"



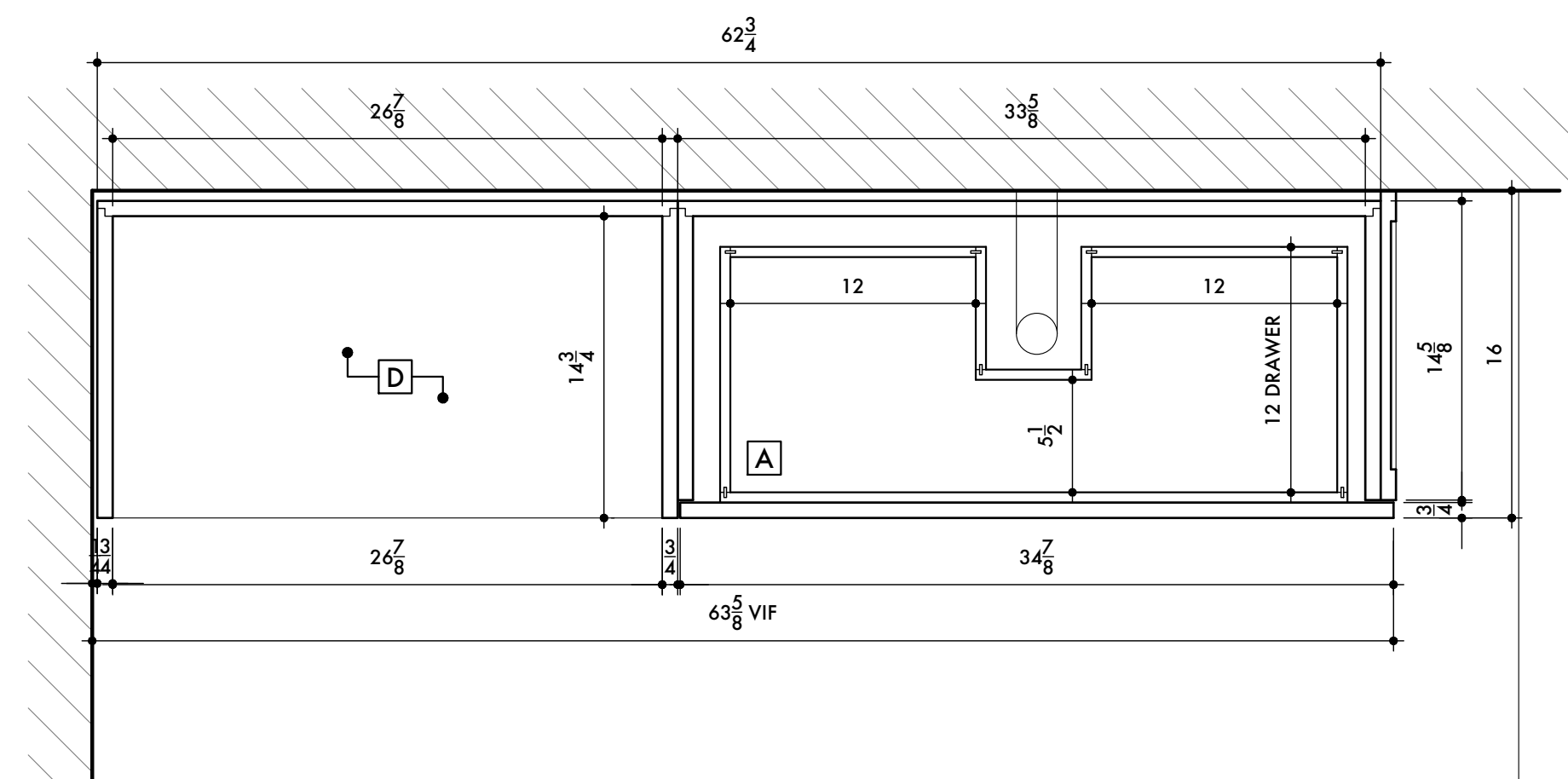
3 POWDER ROOM-04 VANITY: DRAWER SECTION
SCALE: 1-1/2" = 1'-0"



4 POWDER ROOM-04 VANITY: RIGHT SIDE
SCALE: 1-1/2" = 1'-0"

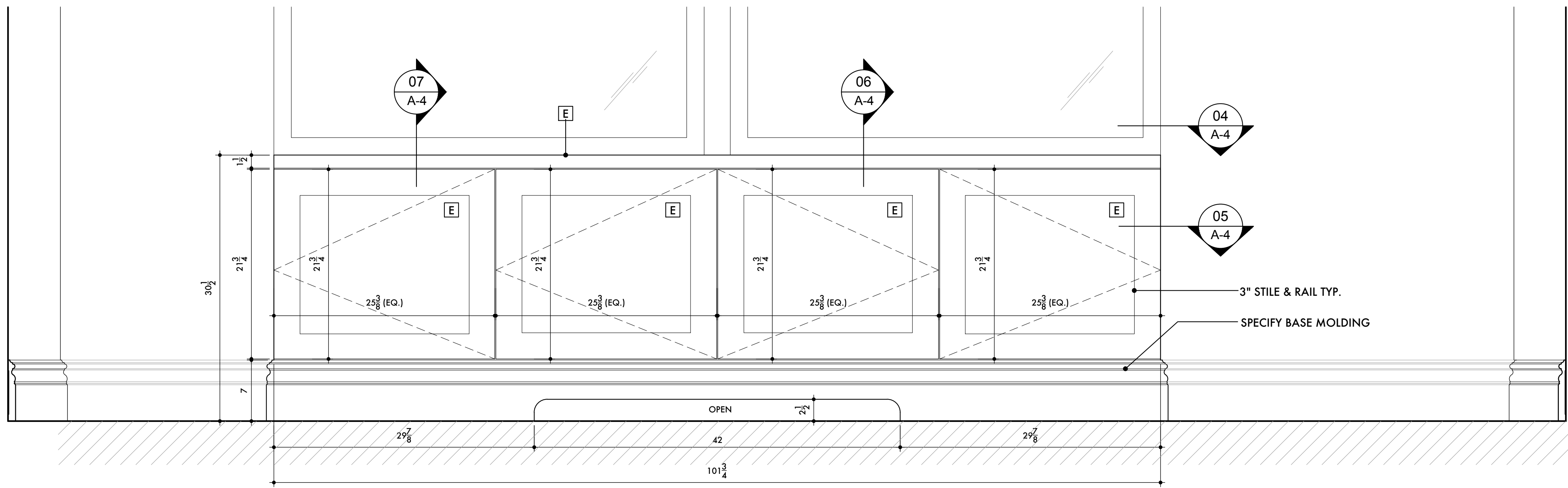


5 POWDER ROOM-04 VANITY: TOP DRAWER PLAN SECTION
SCALE: 1-1/2" = 1'-0"

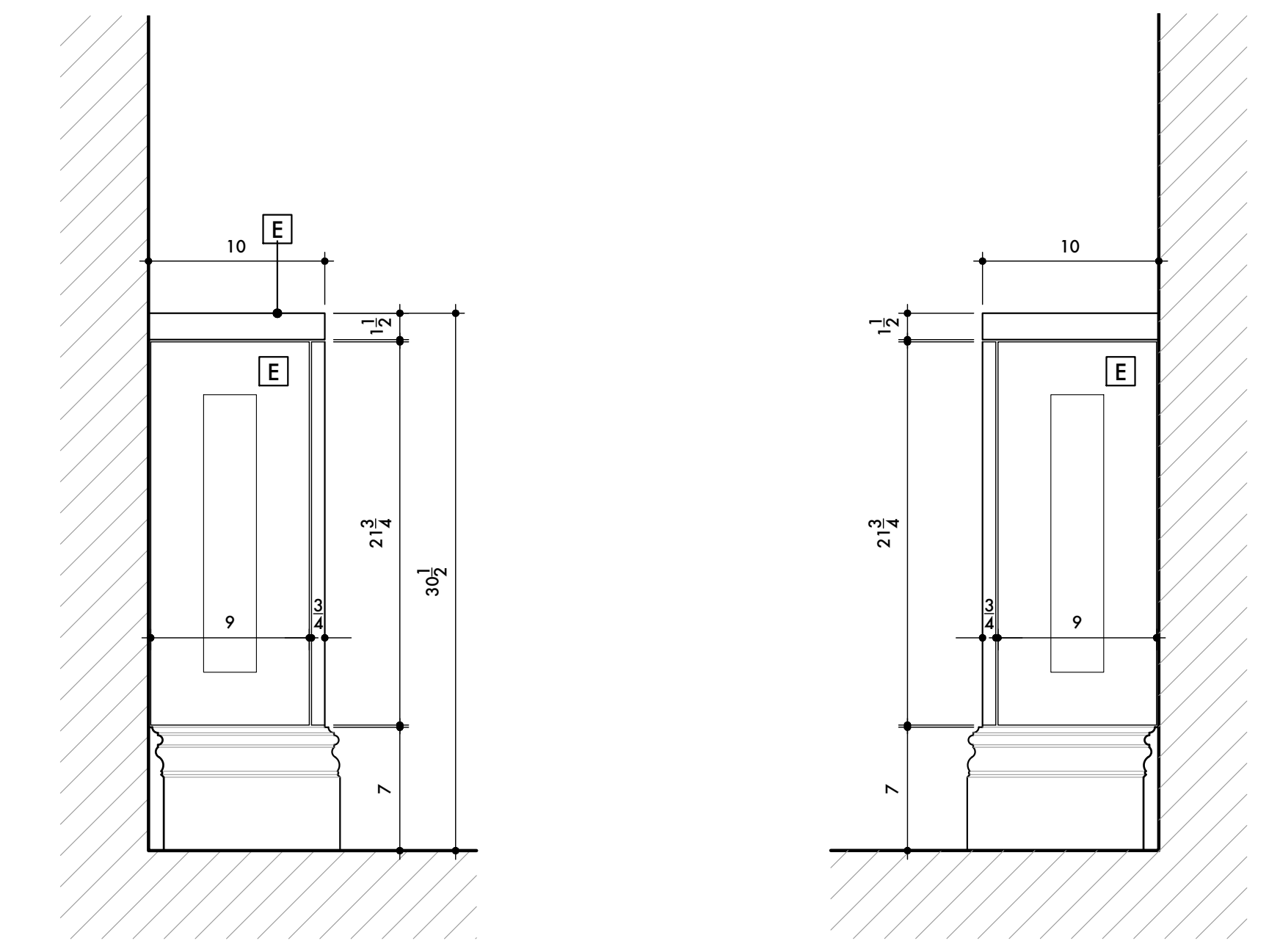


6 POWDER ROOM-04 VANITY: BOTTOM DRAWER PLAN SECTION
SCALE: 1-1/2" = 1'-0"

FINISH SCHEDULE	HARDWARE SCHEDULE	DRAWING RECORD	FIELD NOTES:	CONTRACTOR/MILLWORKER:	TITLE:
A. INTERIOR: PRE-FINISHED MAPLE PLYWOOD D. EXTERIOR: SHOP FINISHED LACQUER (COLOR TBD)	1. DRAWERS: BLUM TANDEM PLUS (FULL EXTENSION). 2. HINGES: BLUM SELF CLOSING. 3. ADJUSTABLE SHELVES ON CHROME PINS. 4. PULLS & HANDLES BY OTHERS.	1. 2021/11/08 - SUBMITTED FOR REVIEW 2. 2021/11/25 - SUBMITTED FOR APPROVAL		SMD CONSTRUCTION GROUP ARCHITECT: TACET CREATIONS DRAWN BY: NRDESIGNS	POWDER ROOM VANITY PROJECT: 45 E 85TH ST. NEW YORK, NY 10028

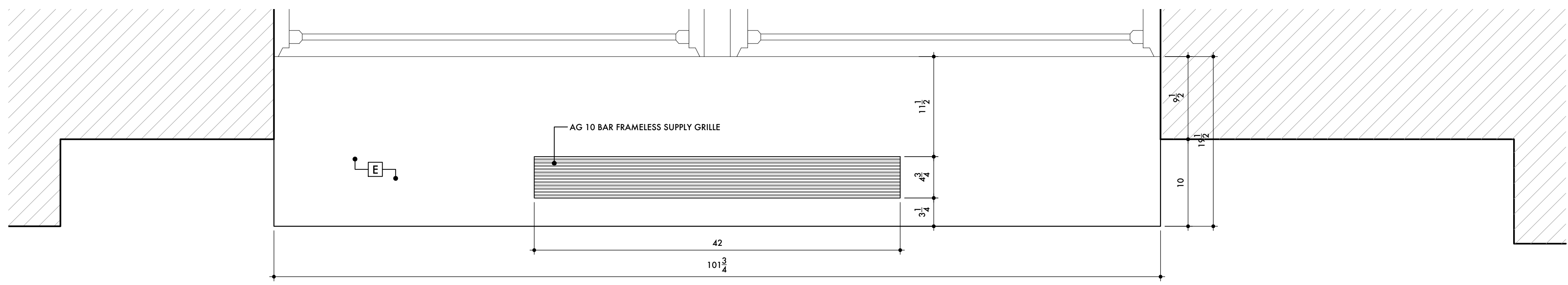


1 LIVING ROOM-02 RADIATOR COVER: FRONT
SCALE: 1-1/2" = 1'-0"

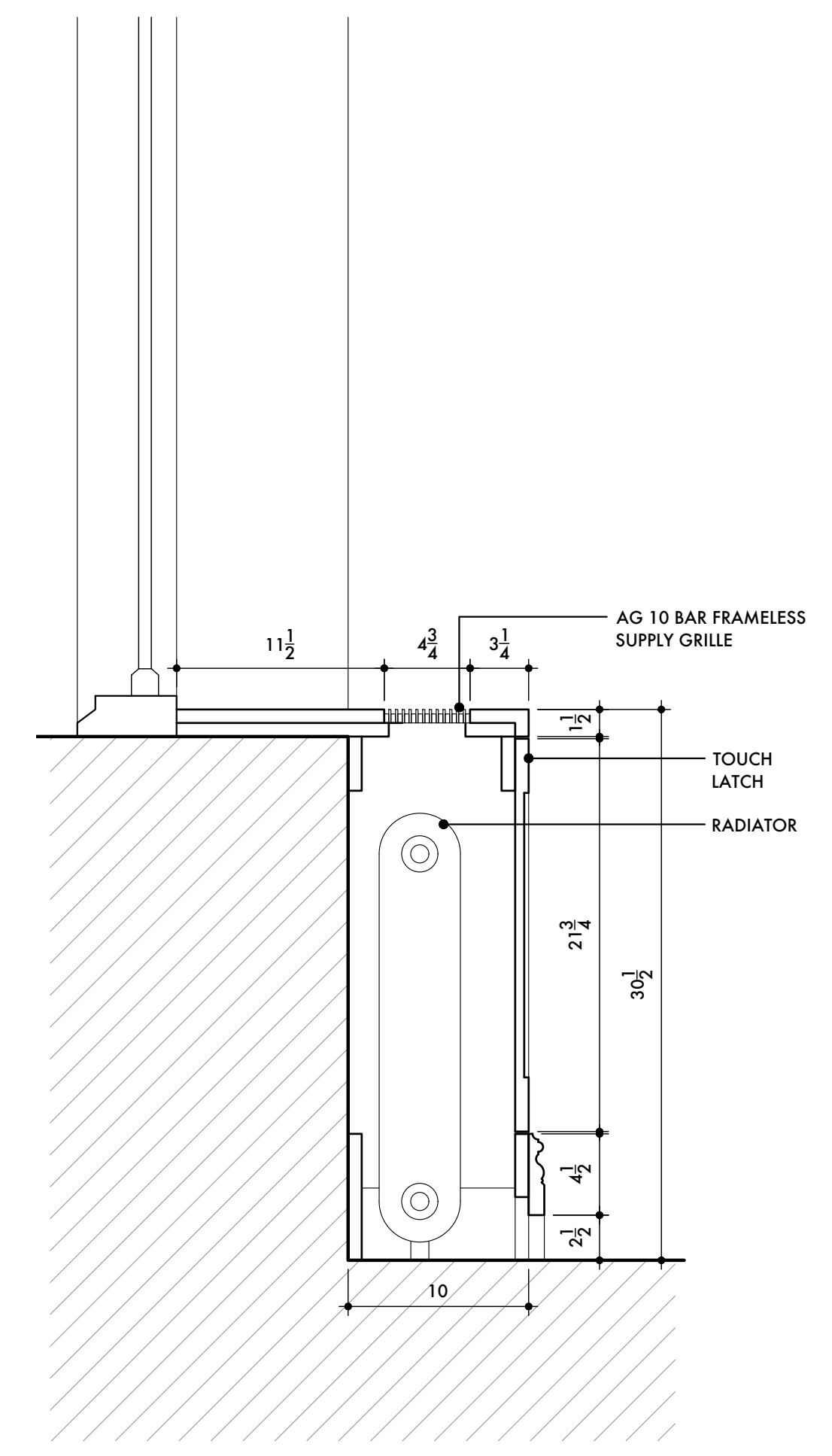


2 LIVING ROOM-02 RADIATOR COVER: LEFT
SCALE: 1-1/2" = 1'-0"

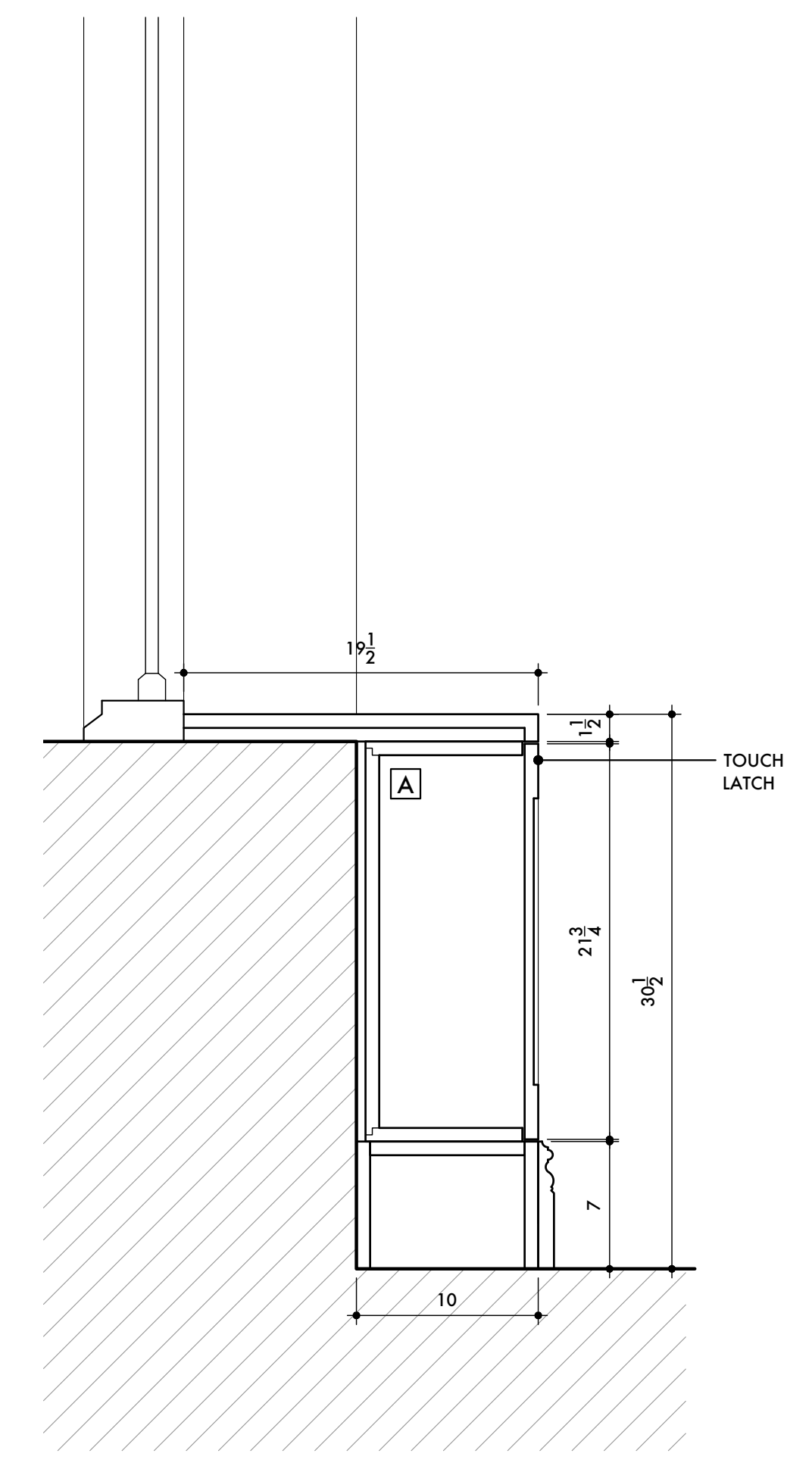
3 LIVING ROOM-02 RADIATOR COVER: RIGHT
SCALE: 1-1/2" = 1'-0"



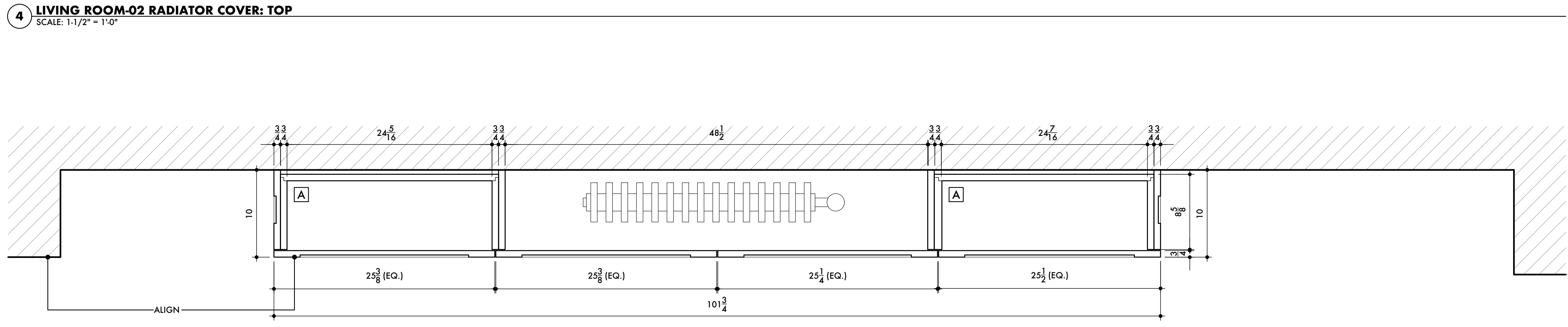
4 LIVING ROOM-02 RADIATOR COVER: TOP
SCALE: 1-1/2" = 1'-0"



6 LIVING ROOM-02 RADIATOR COVER: SECTION
SCALE: 1-1/2" = 1'-0"

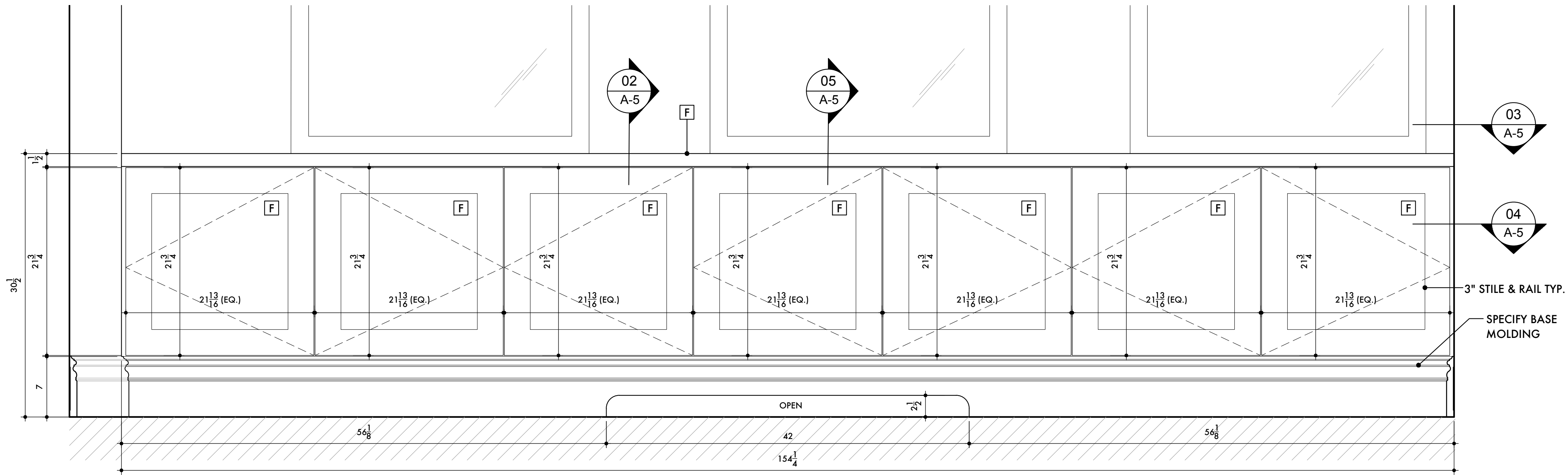


7 LIVING ROOM-02 RADIATOR COVER: SECTION
SCALE: 1-1/2" = 1'-0"

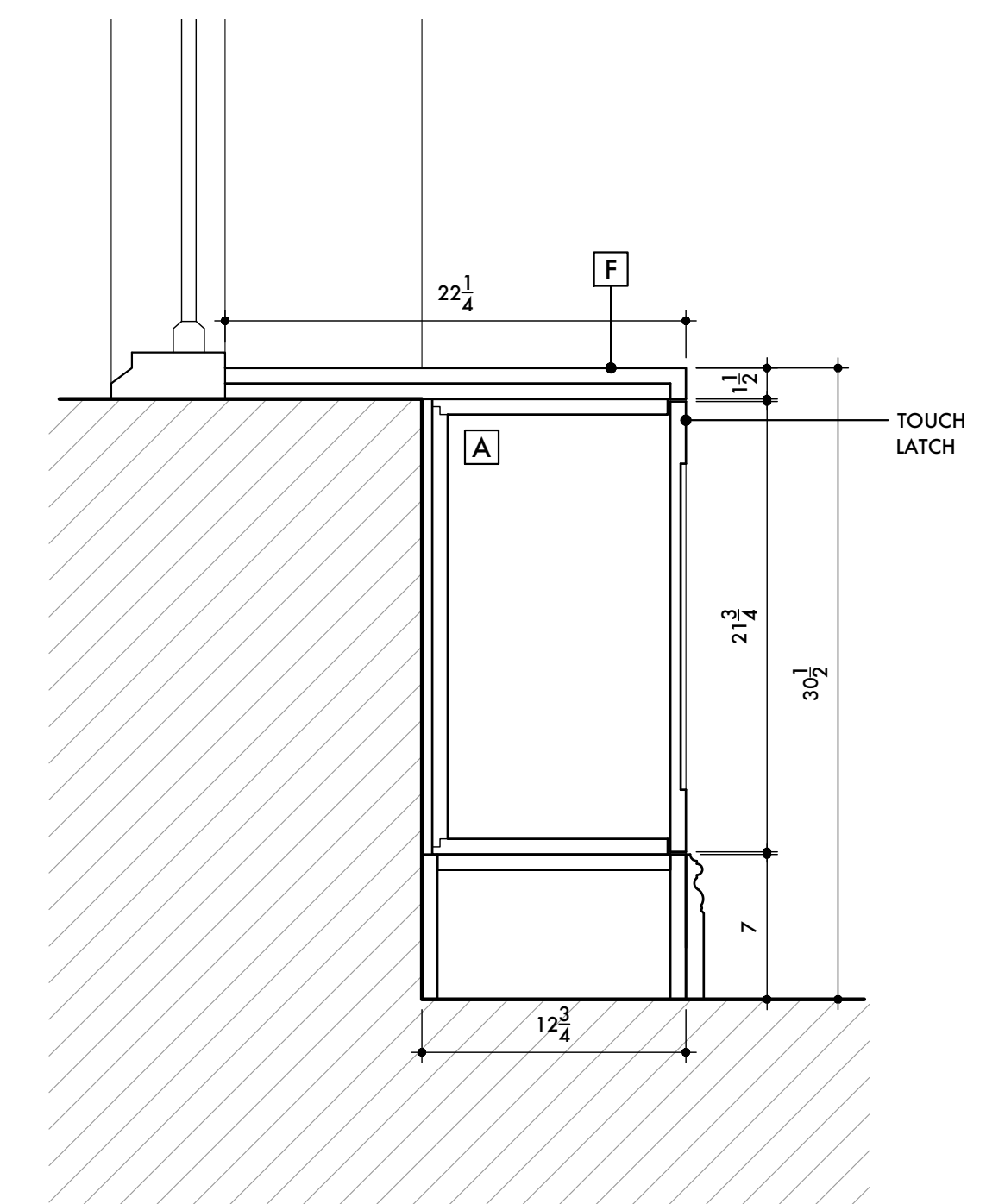


5 LIVING ROOM-02 RADIATOR COVER: PLAN SECTION
SCALE: 1-1/2" = 1'-0"

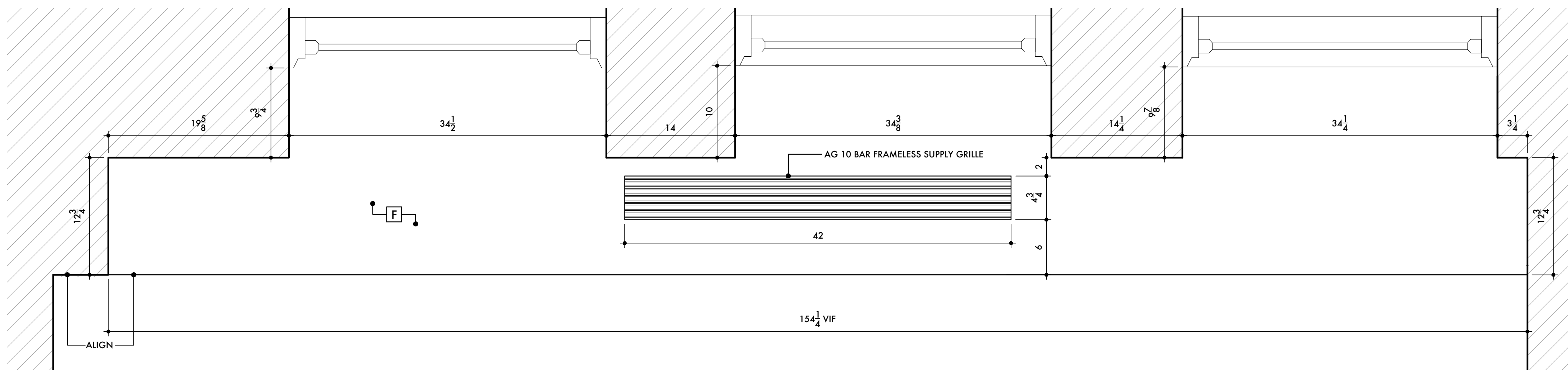
FINISH SCHEDULE	HARDWARE SCHEDULE	DRAWING RECORD	FIELD NOTES:	CONTRACTOR/MILLWORKER:	TITLE:
A. INTERIOR: PRE-FINISHED MAPLE PLYWOOD E. EXTERIOR: WOOD VENEER (SPECIES & CUT TBD)	1. DRAWERS: BLUM TANDEM PLUS (FULL EXTENSION). 2. HINGES: BLUM SELF CLOSING. 3. ADJUSTABLE SHELVES ON CHROME PINS. 4. PULLS & HANDLES BY OTHERS.	1. 2021/11/08 - SUBMITTED FOR REVIEW 2. 2021/11/25 - SUBMITTED FOR APPROVAL		SMD CONSTRUCTION GROUP ARCHITECT: TACET CREATIONS DRAWN BY: NRDESIGNS	LIVING ROOM-02: RADIATOR COVER PROJECT: 45 E 85TH ST. NEW YORK, NY 10028



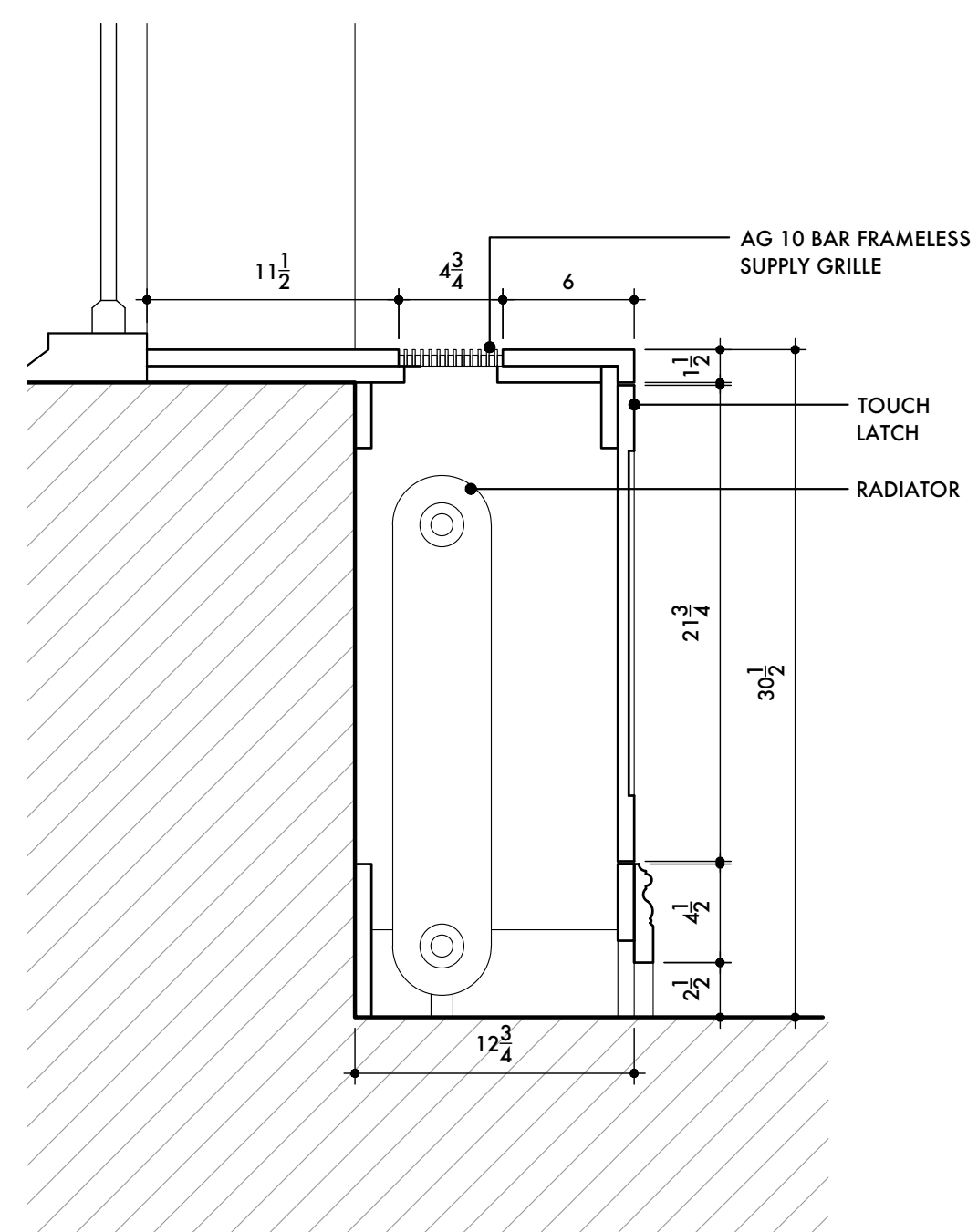
1 MASTER BEDROOM-05 RADIATOR COVER: FRONT
SCALE: 1-1/2" = 1'-0"



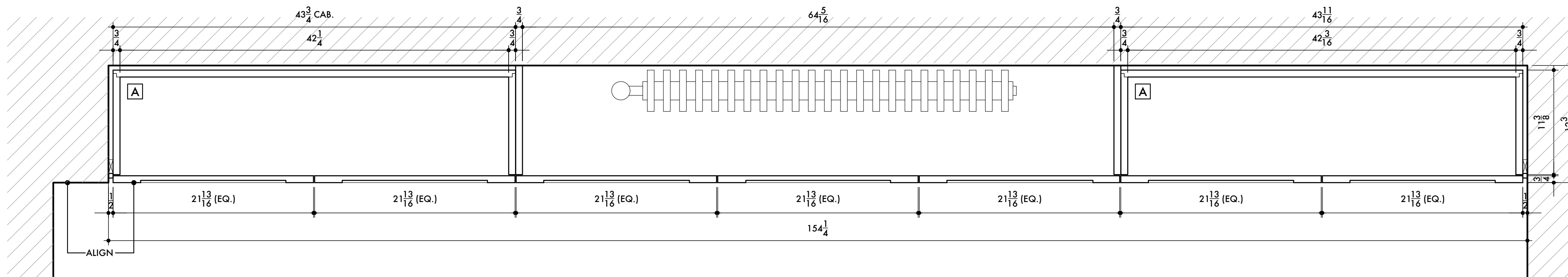
2 MASTER BEDROOM-05 RADIATOR COVER: SECTION
SCALE: 1-1/2" = 1'-0"



3 LIVING ROOM-02 RADIATOR COVER: TOP
SCALE: 1-1/2" = 1'-0"

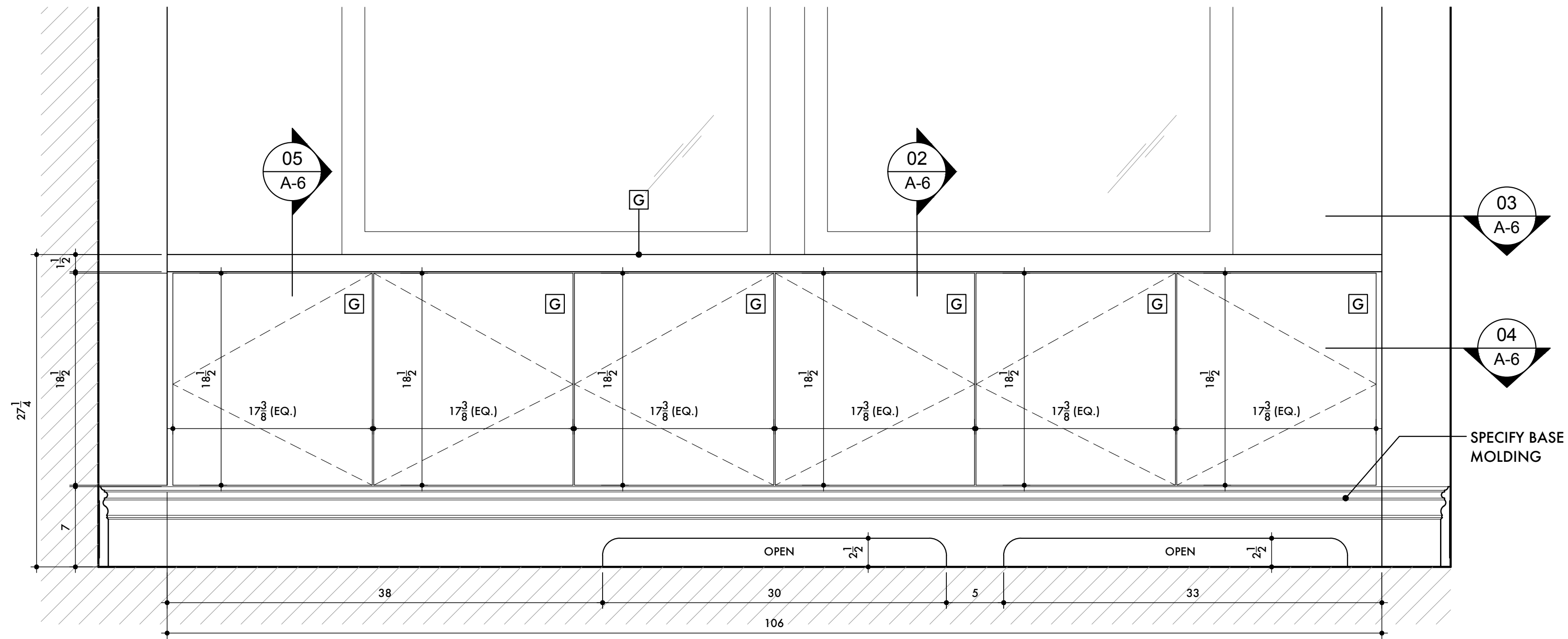


5 MASTER BEDROOM-05 RADIATOR COVER: SECTION
SCALE: 1-1/2" = 1'-0"

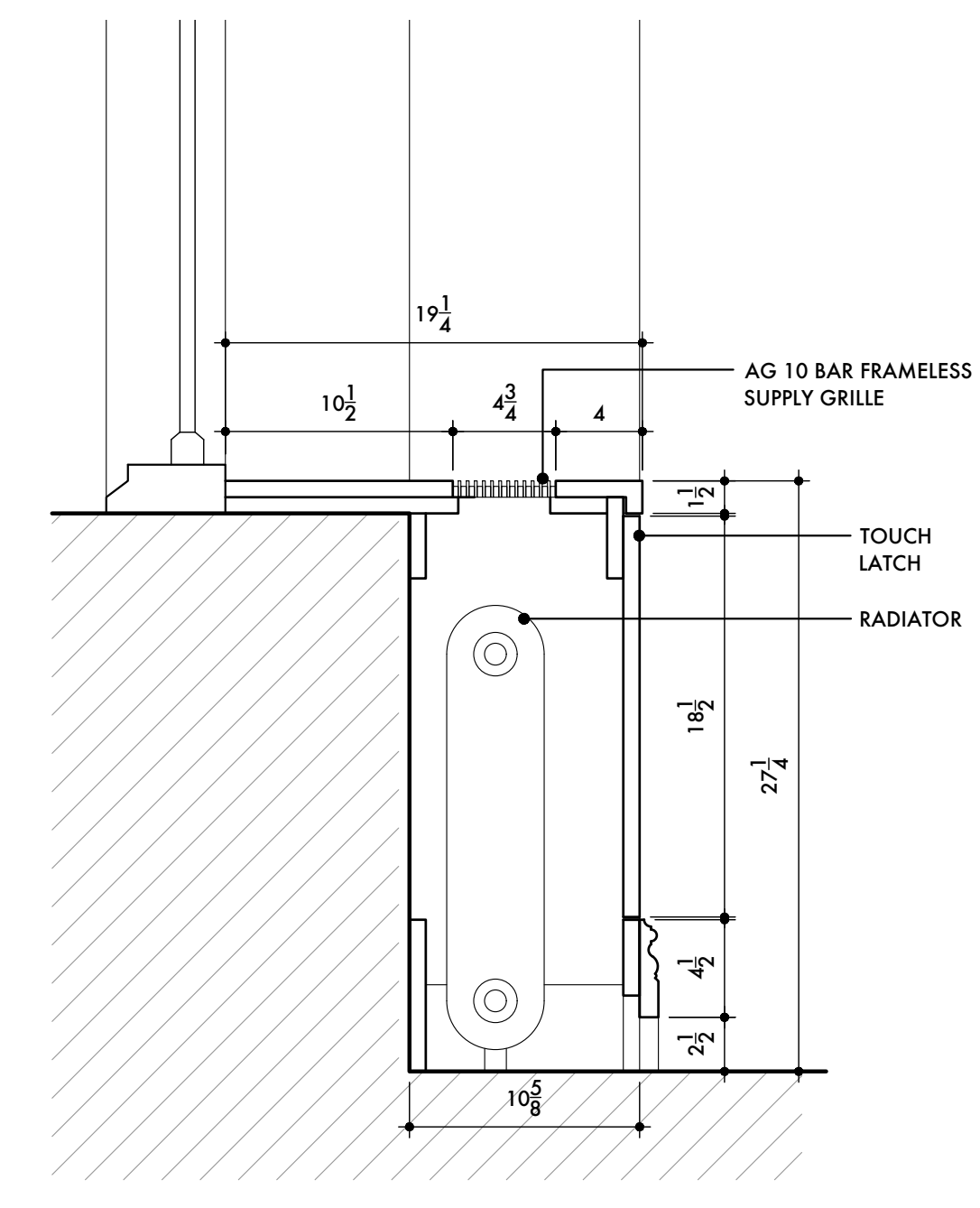


4 MASTER BEDROOM-05 RADIATOR COVER: PLAN SECTION
SCALE: 1-1/2" = 1'-0"

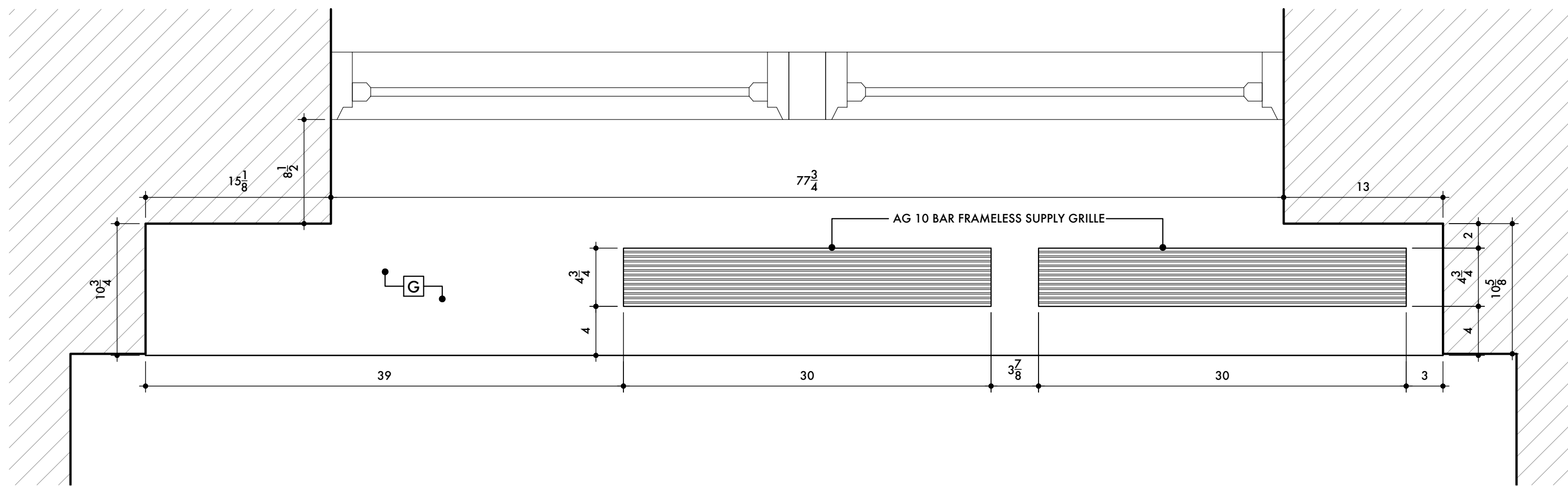
FINISH SCHEDULE	HARDWARE SCHEDULE	DRAWING RECORD	FIELD NOTES:	CONTRACTOR/MILLWORKER:	TITLE:
A. INTERIOR: PRE-FINISHED MAPLE PLYWOOD F. EXTERIOR: WOOD VENEER (SPECIES & CUT TBD)	1. DRAWERS: BLUM TANDEM PLUS (FULL EXTENSION). 2. HINGES: BLUM SELF CLOSING. 3. ADJUSTABLE SHELVES ON CHROME PINS. 4. PULLS & HANDLES BY OTHERS.	1. 2021/11/08 - SUBMITTED FOR REVIEW 2. 2021/11/25 - SUBMITTED FOR APPROVAL		SMD CONSTRUCTION GROUP ARCHITECT: TACET CREATIONS DRAWN BY: NRDESIGNS	MASTER BEDROOM-05: RADIATOR COVER PROJECT: 45 E 85TH ST. NEW YORK, NY 10028



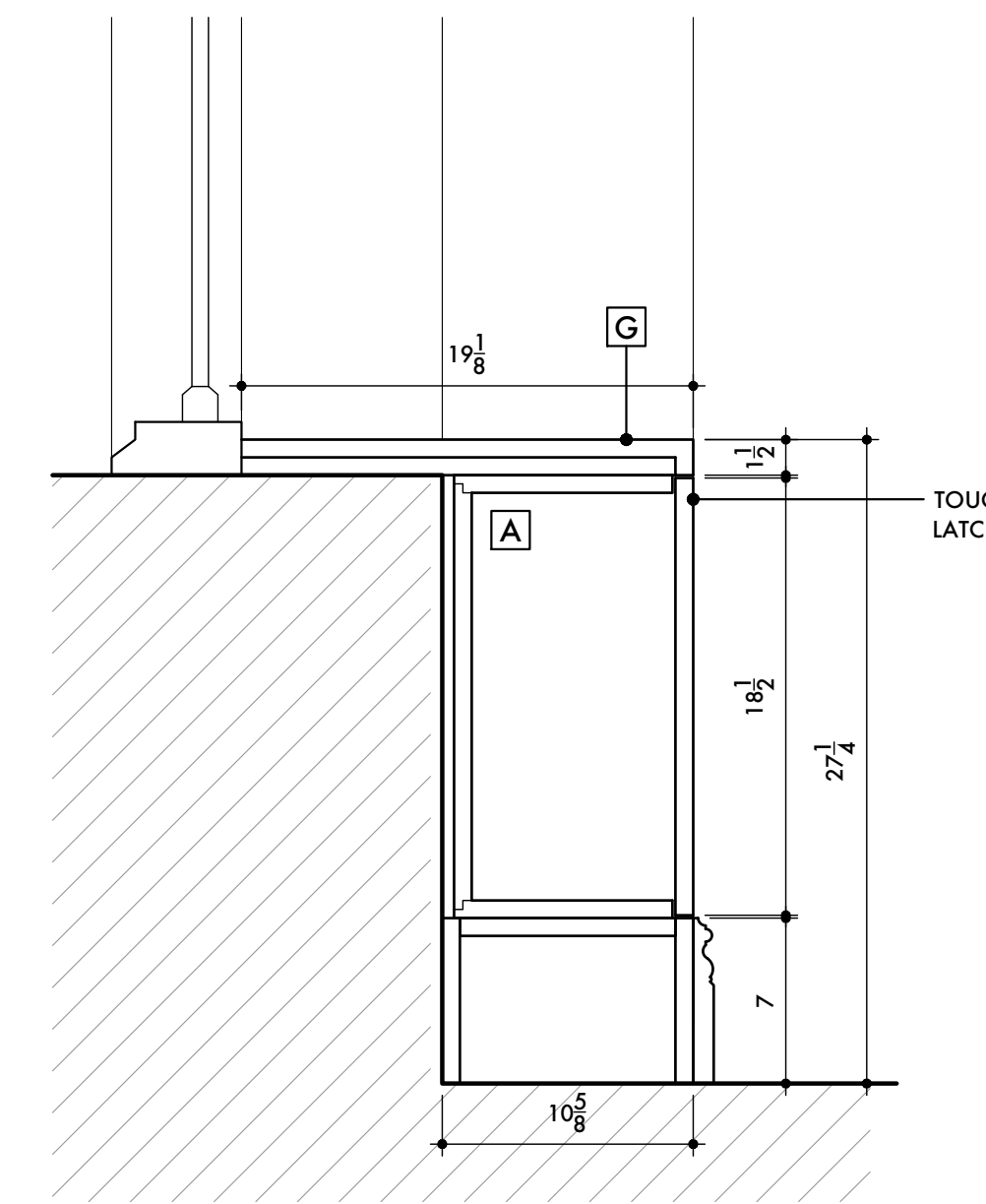
1 BEDROOM-08 RADIATOR COVER: FRONT
SCALE: 1-1/2" = 1'-0"



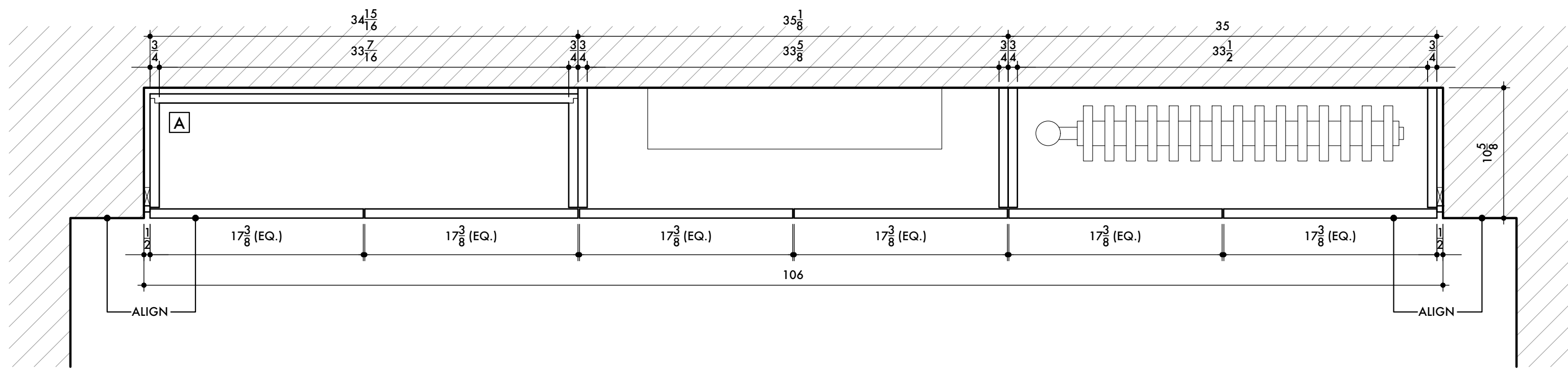
2 BEDROOM-08 RADIATOR COVER: SECTION
SCALE: 1-1/2" = 1'-0"



3 BEDROOM-08 RADIATOR COVER: TOP
SCALE: 1-1/2" = 1'-0"

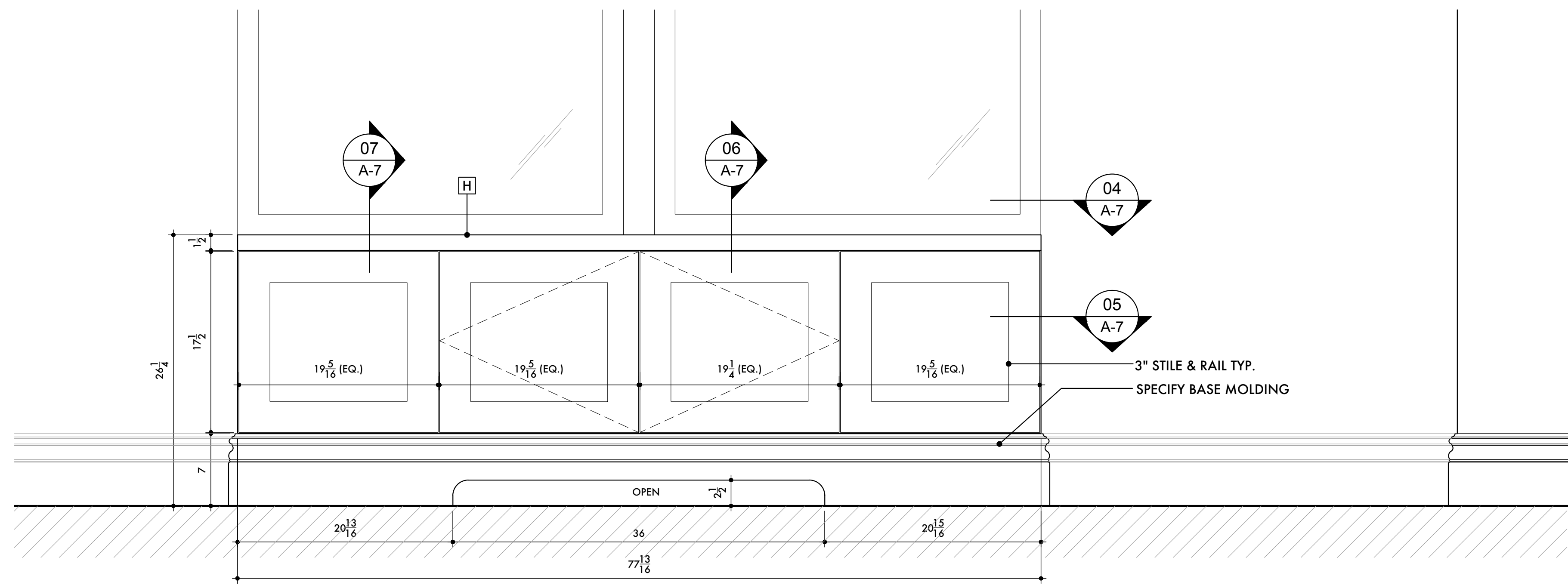


5 BEDROOM-08 RADIATOR COVER: SECTION
SCALE: 1-1/2" = 1'-0"

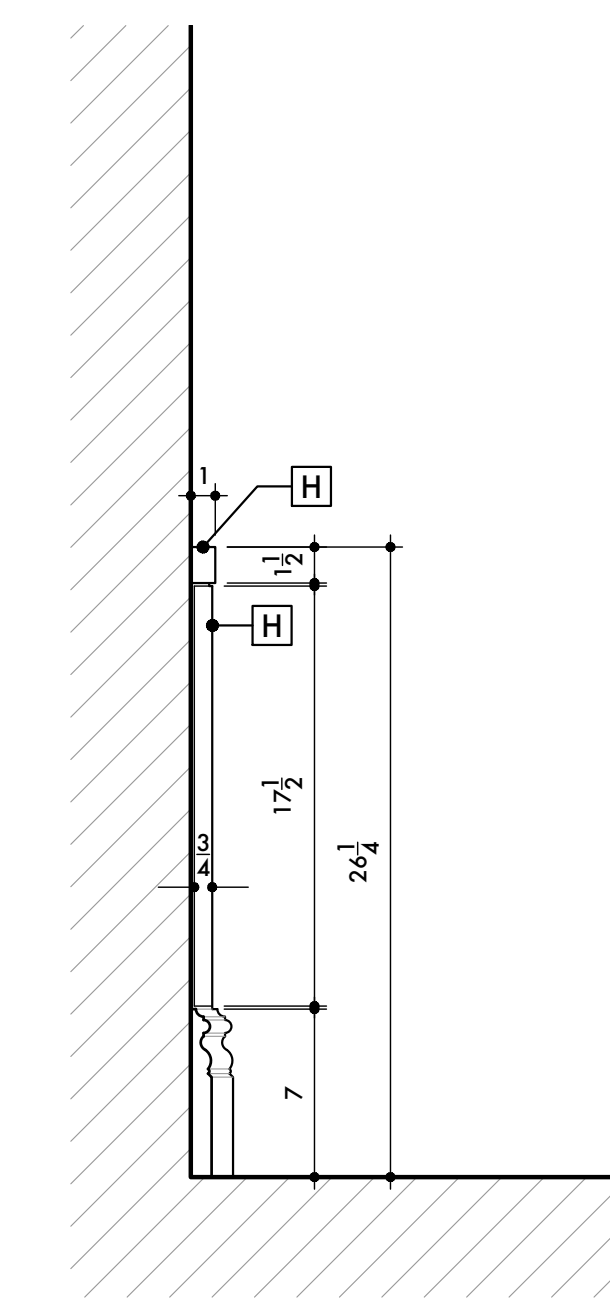


4 BEDROOM-08 RADIATOR COVER: PLAN SECTION
SCALE: 1-1/2" = 1'-0"

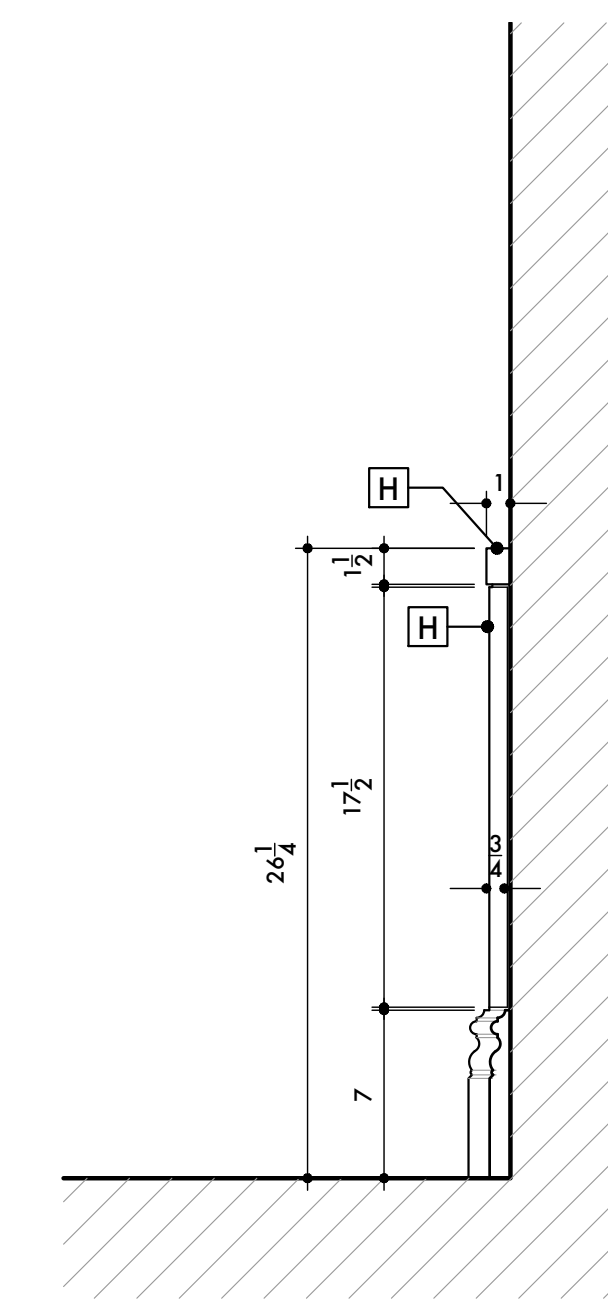
FINISH SCHEDULE	HARDWARE SCHEDULE	DRAWING RECORD	FIELD NOTES:	CONTRACTOR/MILLWORKER:	TITLE:
A. INTERIOR: PRE-FINISHED MAPLE PLYWOOD G. EXTERIOR: WOOD VENEER (SPECIES & CUT TBD)	1. DRAWERS: BLUM TANDEM PLUS (FULL EXTENSION). 2. HINGES: BLUM SELF CLOSING. 3. ADJUSTABLE SHELVES ON CHROME PINS. 4. PULLS & HANDLES BY OTHERS.	1. 2021/11/08 - SUBMITTED FOR REVIEW 2. 2021/11/25 - SUBMITTED FOR APPROVAL		SMD CONSTRUCTION GROUP ARCHITECT: TACET CREATIONS DRAWN BY: NRDESIGNS	BEDROOM-08: RADIATOR COVER PROJECT: 45 E 85TH ST. NEW YORK, NY 10028



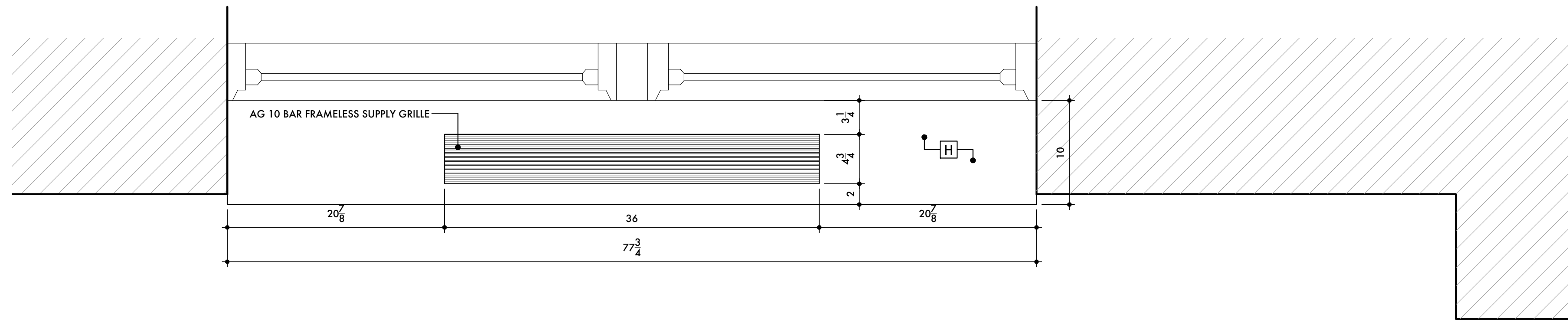
1 FAMILY ROOM-13 RADIATOR COVER: FRONT
SCALE: 1-1/2" = 1'-0"



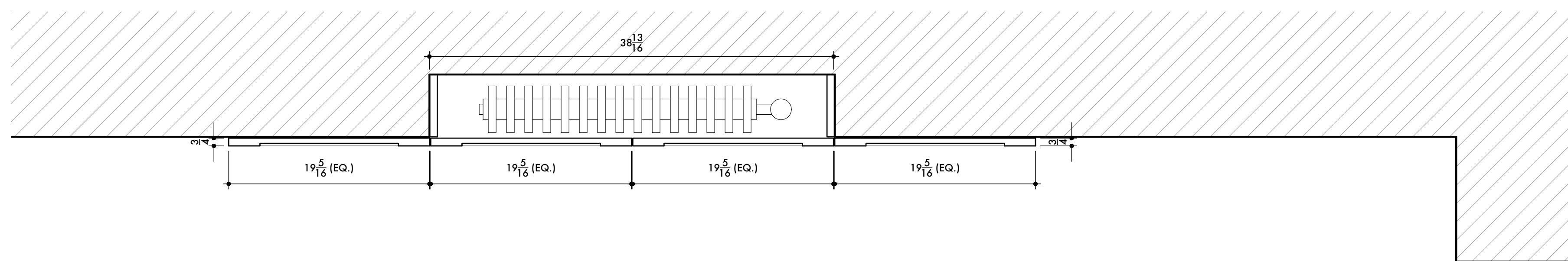
2 FAMILY ROOM-13 RADIATOR COVER: LEFT
SCALE: 1-1/2" = 1'-0"



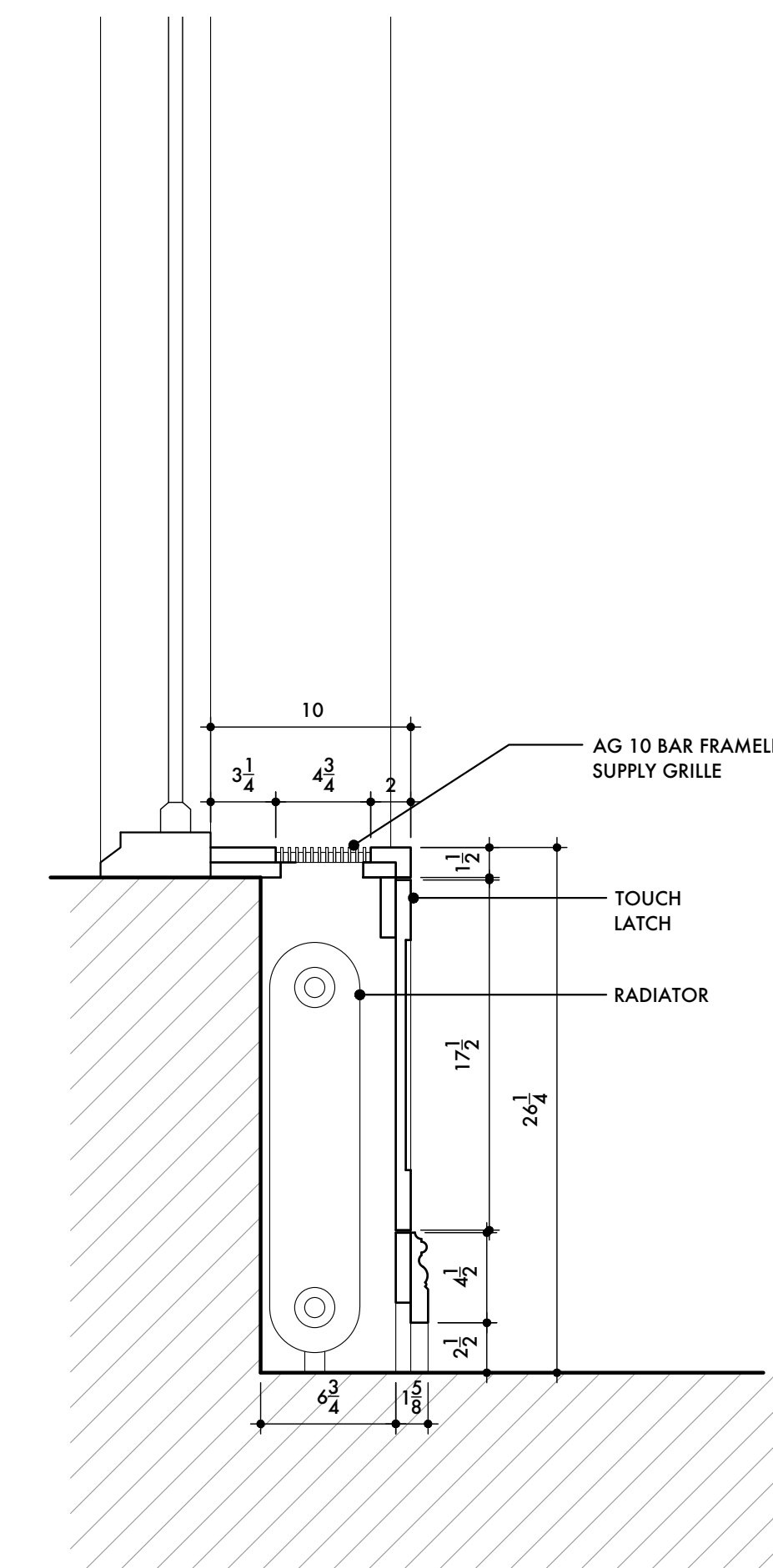
3 FAMILY ROOM-13 RADIATOR COVER: RIGHT
SCALE: 1-1/2" = 1'-0"



4 FAMILY ROOM-13 RADIATOR COVER: TOP
SCALE: 1-1/2" = 1'-0"

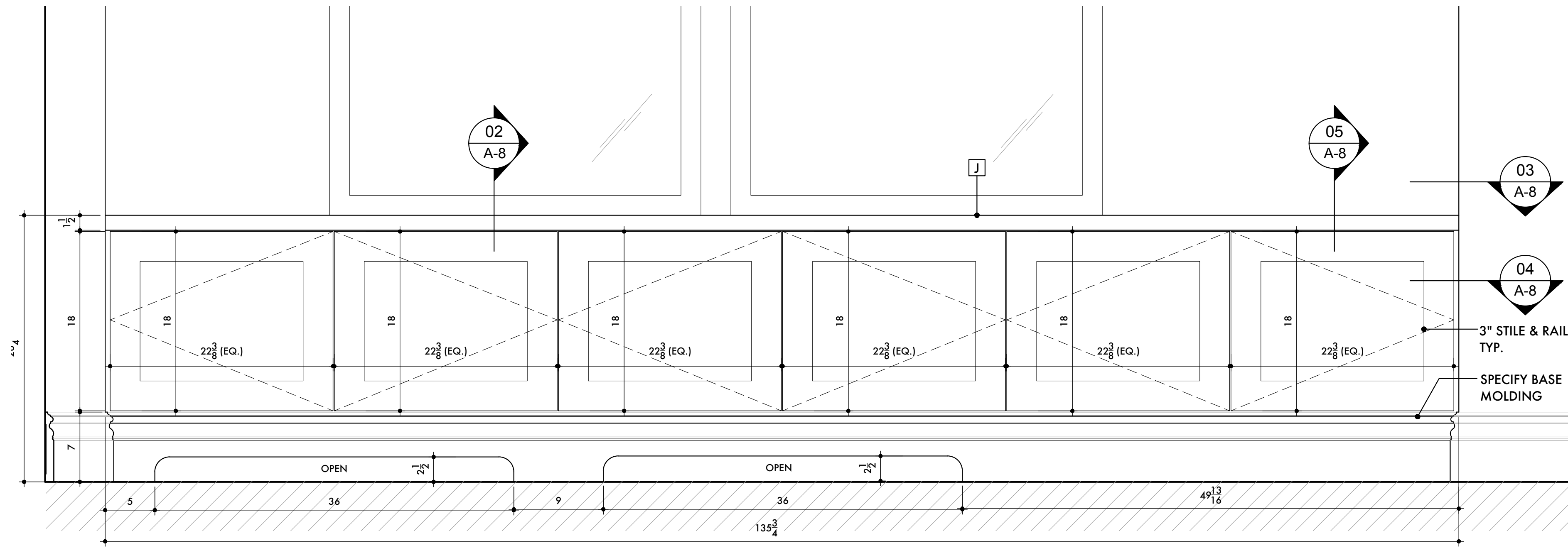


5 FAMILY ROOM-13 RADIATOR COVER: PLAN SECTION
SCALE: 1-1/2" = 1'-0"

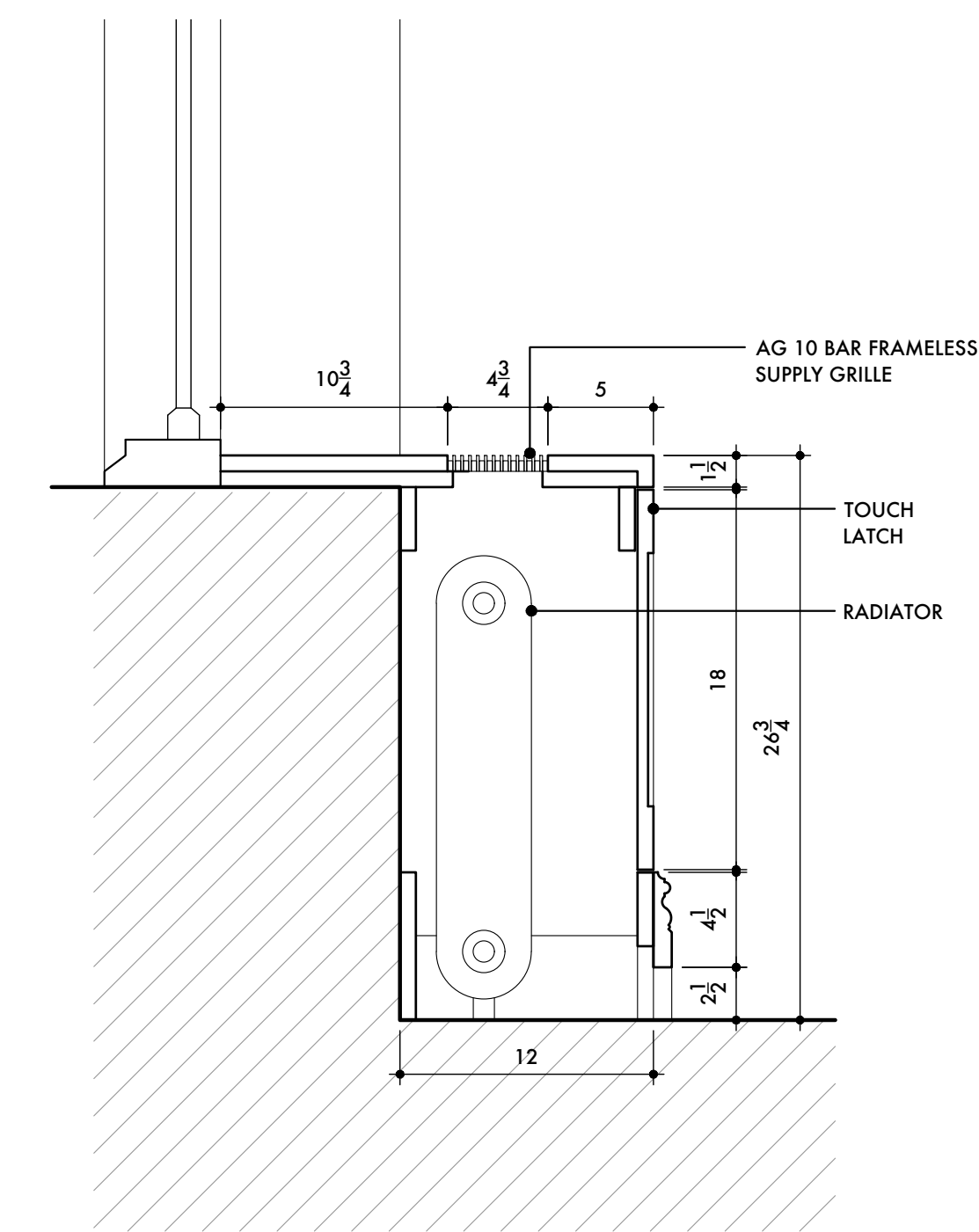


6 FAMILY ROOM-13 RADIATOR COVER: SECTION
SCALE: 1-1/2" = 1'-0"

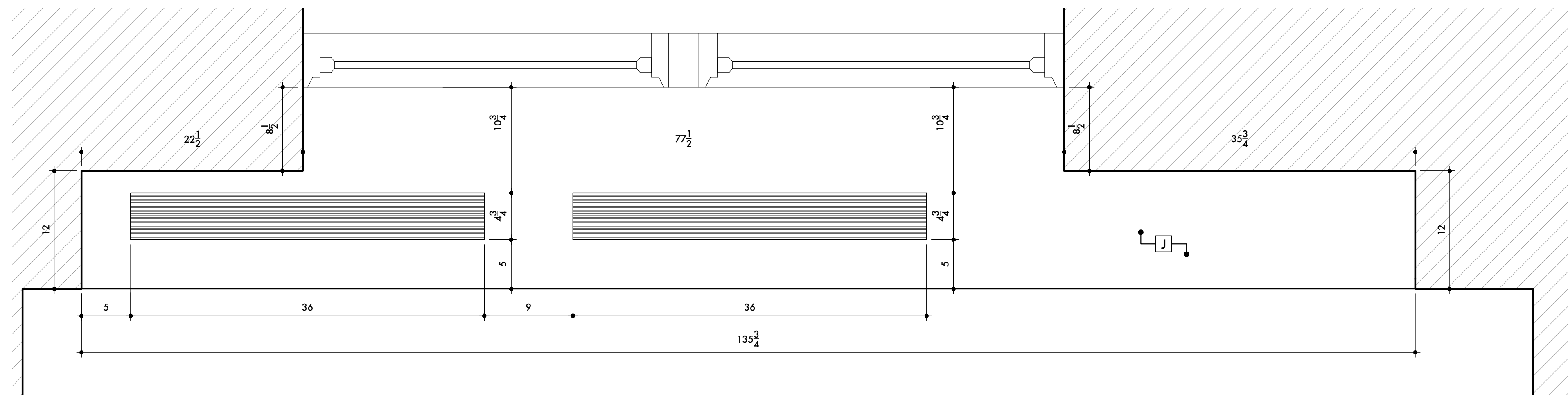
FINISH SCHEDULE	HARDWARE SCHEDULE	DRAWING RECORD	FIELD NOTES:	CONTRACTOR/MILLWORKER:	TITLE:	
A. INTERIOR: PRE-FINISHED MAPLE PLYWOOD	1. DRAWERS: BLUM TANDEM PLUS (FULL EXTENSION).	1. 2021/11/08 - SUBMITTED FOR REVIEW		SMD CONSTRUCTION GROUP	FAMILY ROOM-13: RADIATOR COVER	
H. EXTERIOR: WOOD VENEER (SPECIES & CUT TBD)	2. HINGES: BLUM SELF CLOSING.	2. 2021/11/25 - SUBMITTED FOR APPROVAL		ARCHITECT:	TACET CREATIONS	PROJECT:
	3. ADJUSTABLE SHELVES ON CHROME PINS.			DRAWN BY:	NRDESIGNS	45 E 85TH ST.
	4. PULLS & HANDLES BY OTHERS.					NEW YORK, NY 10028



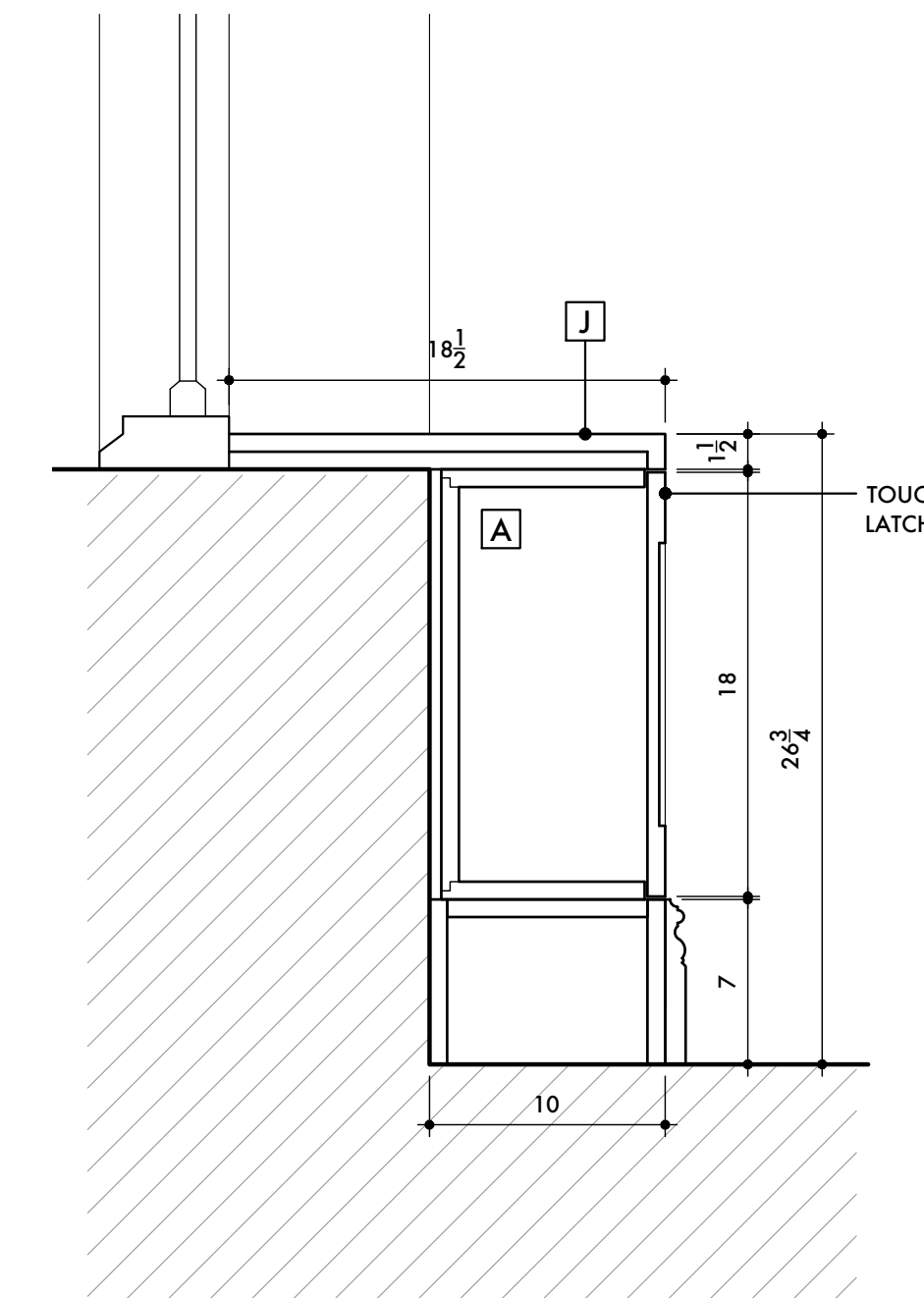
1 DINING ROOM-11 RADIATOR COVER: FRONT
SCALE: 1-1/2" = 1'-0"



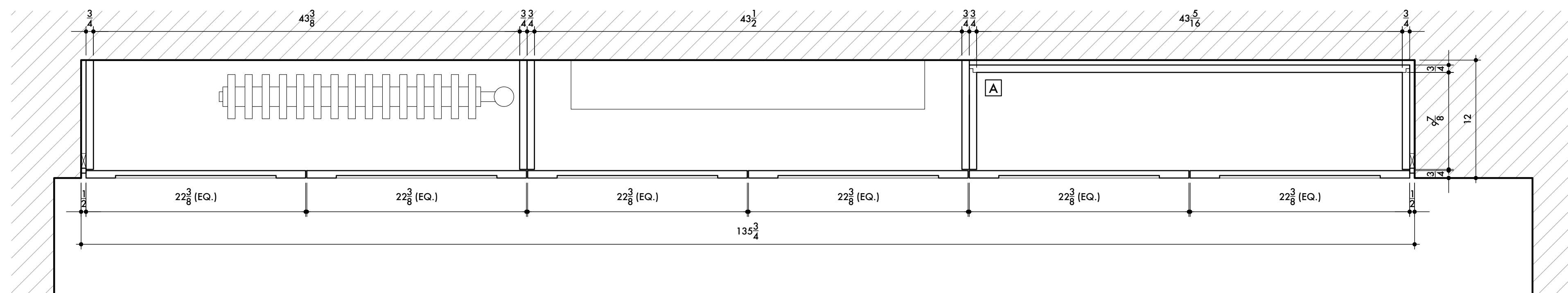
2 DINING ROOM-11 RADIATOR COVER: SECTION
SCALE: 1-1/2" = 1'-0"



3 DINING ROOM-11 RADIATOR COVER: TOP
SCALE: 1-1/2" = 1'-0"



5 DINING ROOM-11 RADIATOR COVER: SECTION
SCALE: 1-1/2" = 1'-0"



4 DINING ROOM-11 RADIATOR COVER: PLAN SECTION
SCALE: 1-1/2" = 1'-0"

FINISH SCHEDULE	HARDWARE SCHEDULE	DRAWING RECORD	FIELD NOTES:	CONTRACTOR/MILLWORKER:	TITLE:
A. INTERIOR: PRE-FINISHED MAPLE PLYWOOD	1. DRAWERS: BLUM TANDEM PLUS (FULL EXTENSION).	1. 2021/11/08 - SUBMITTED FOR REVIEW		SMD CONSTRUCTION GROUP	DINING ROOM-11: RADIATOR COVER
J. EXTERIOR: WOOD VENEER (SPECIES & CUT TBD)	2. HINGES: BLUM SELF CLOSING.	2. 2021/11/25 - SUBMITTED FOR APPROVAL		ARCHITECT:	
	3. ADJUSTABLE SHELVES ON CHROME PINS.			TACET CREATIONS	PROJECT:
	4. PULLS & HANDLES BY OTHERS.			DRAWN BY:	45 E 85TH ST.
				NRDESIGNS	NEW YORK, NY 10028