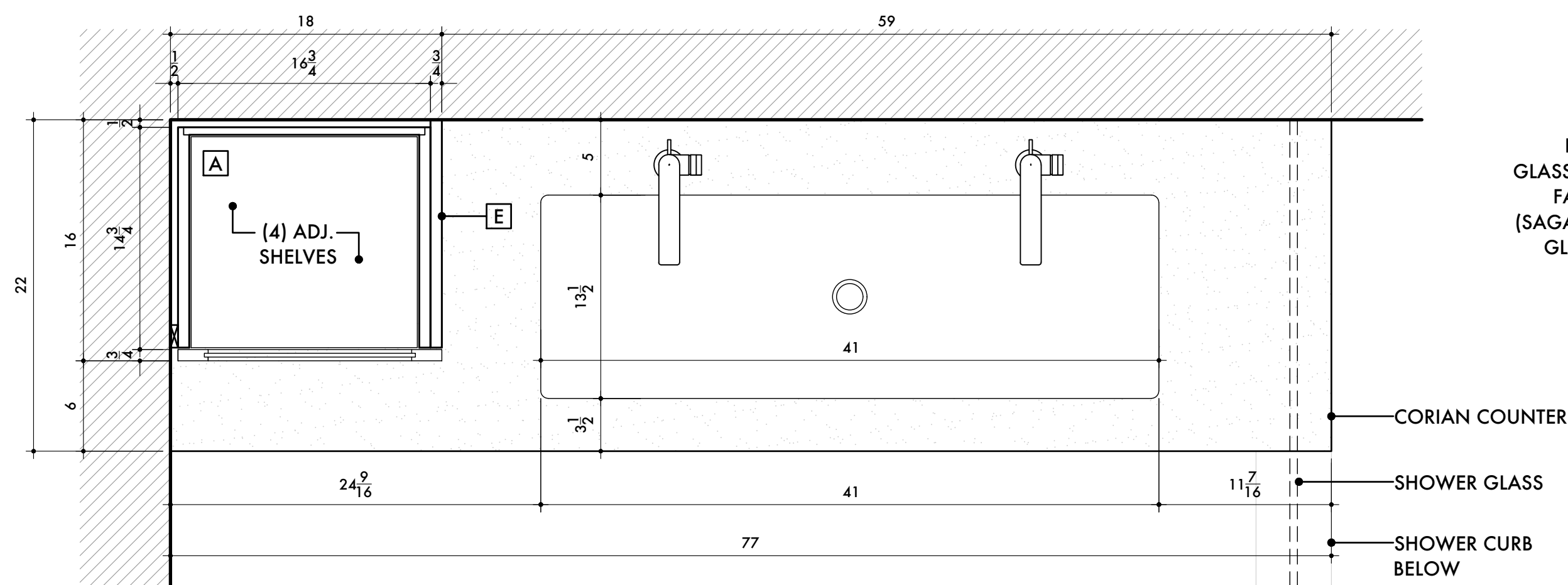
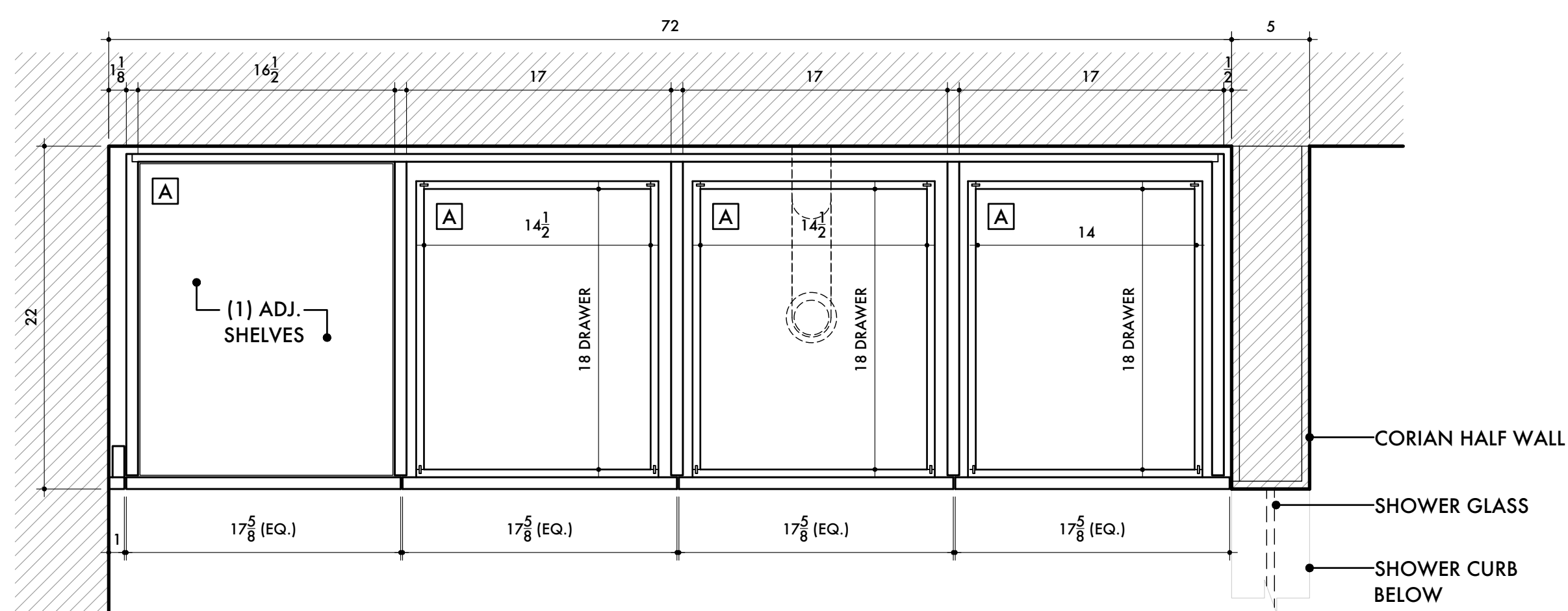


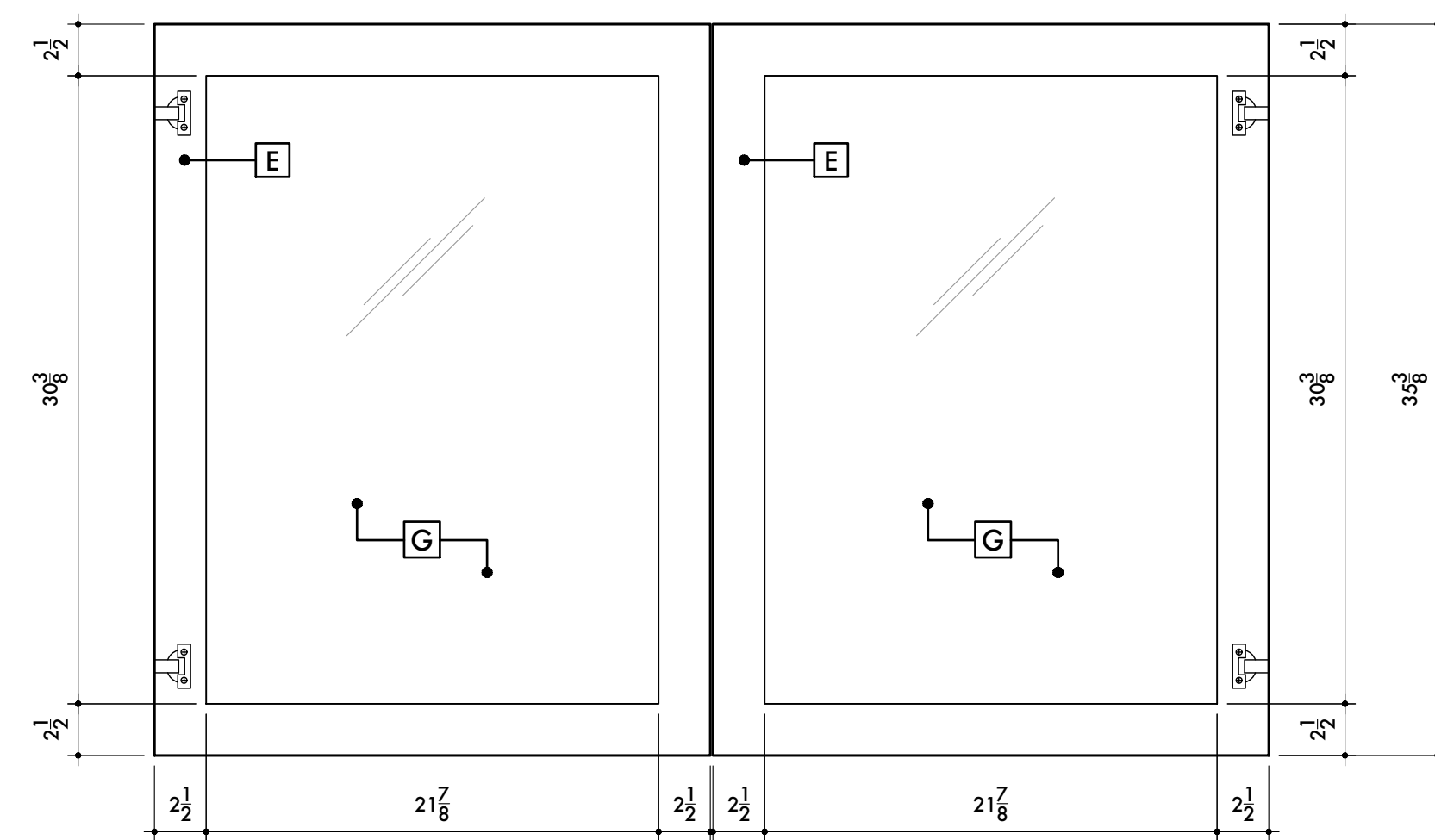
**03 BATHROOM: MEDICINE CABINET - PLAN**  
SCALE: 1-1/2" = 1'-0"



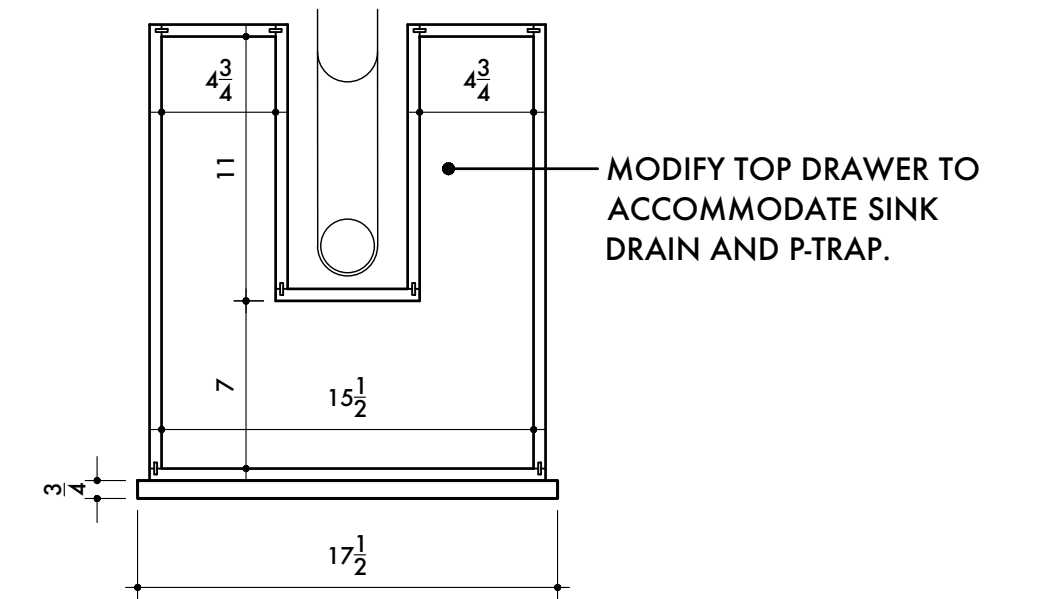
**02 BATHROOM: LINEN CABINET - PLAN**  
SCALE: 1-1/2" = 1'-0"



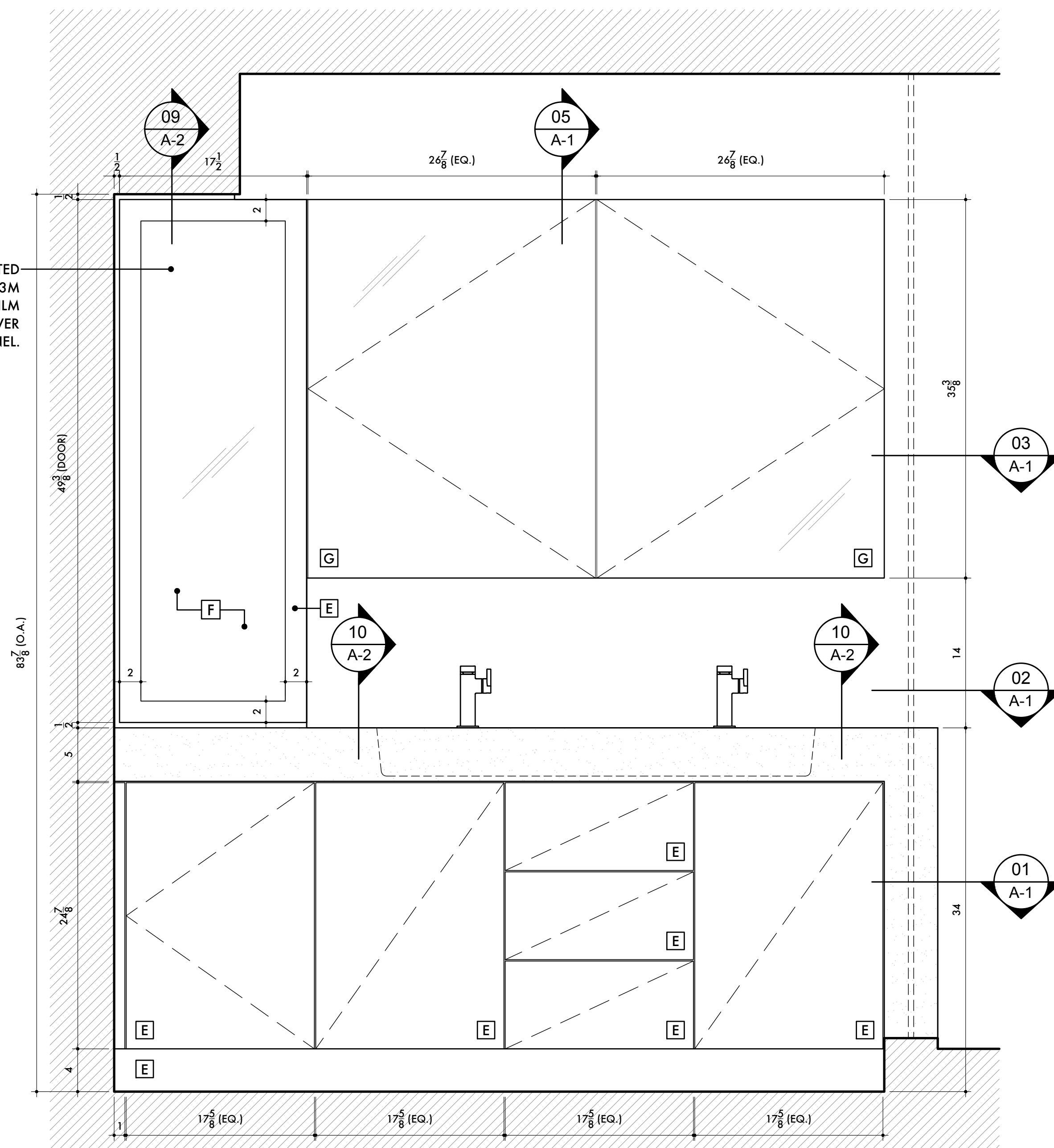
**01 BATHROOM: VANITY - PLAN**  
SCALE: 1-1/2" = 1'-0"



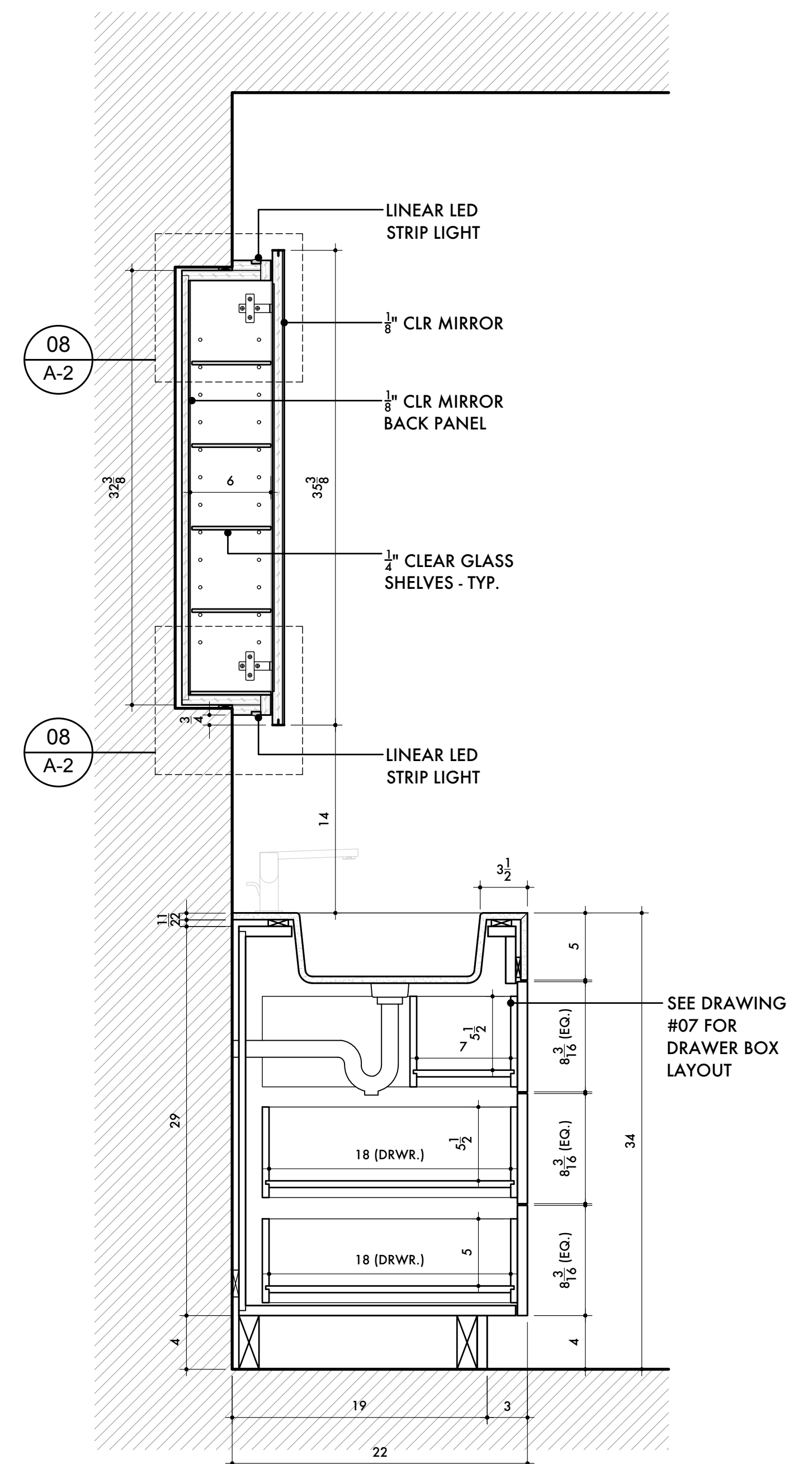
**06 BATHROOM: M.C. DOORS - BACK**  
SCALE: 1-1/2" = 1'-0"



**07 BATHROOM: SINK DRAWER - PLAN**  
SCALE: 1-1/2" = 1'-0"

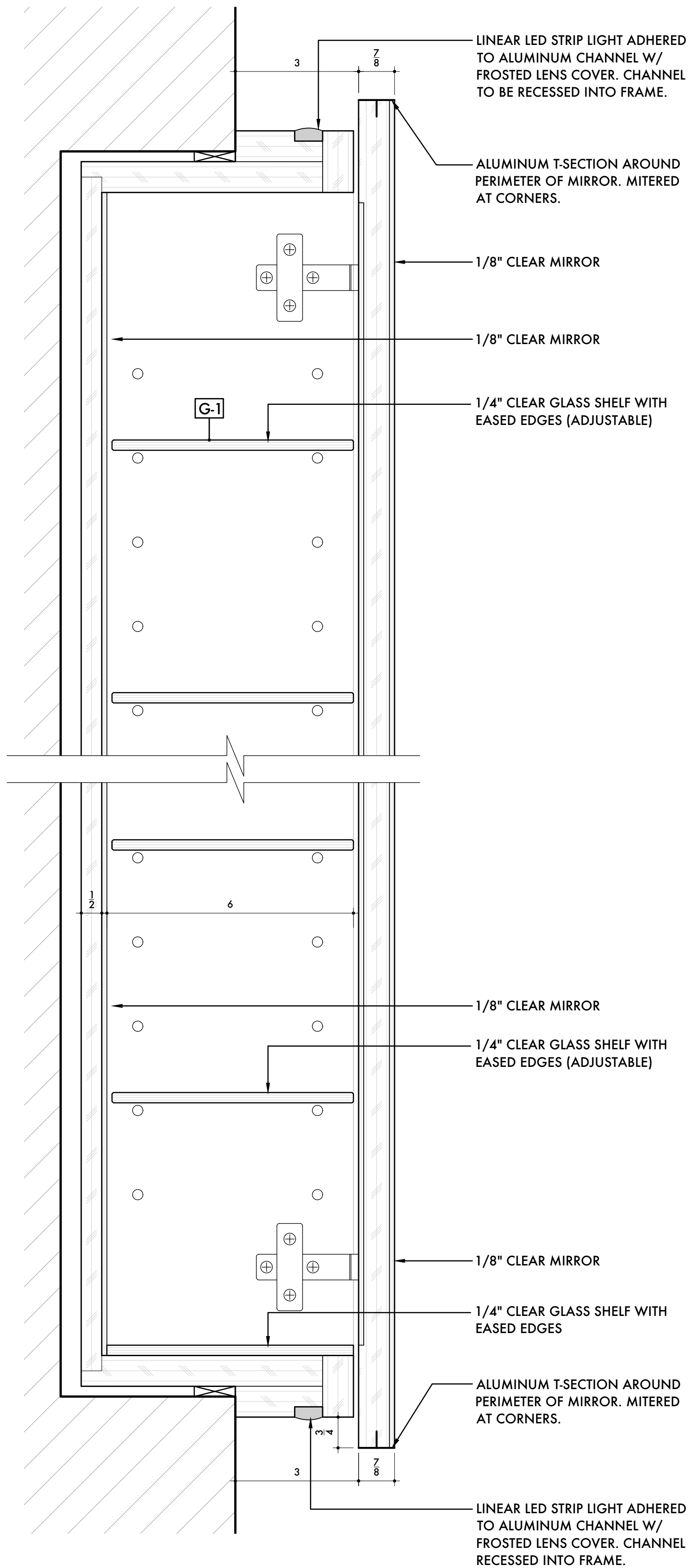


**04 BATHROOM: VANITY & M.C. - FRONT**  
SCALE: 1-1/2" = 1'-0"

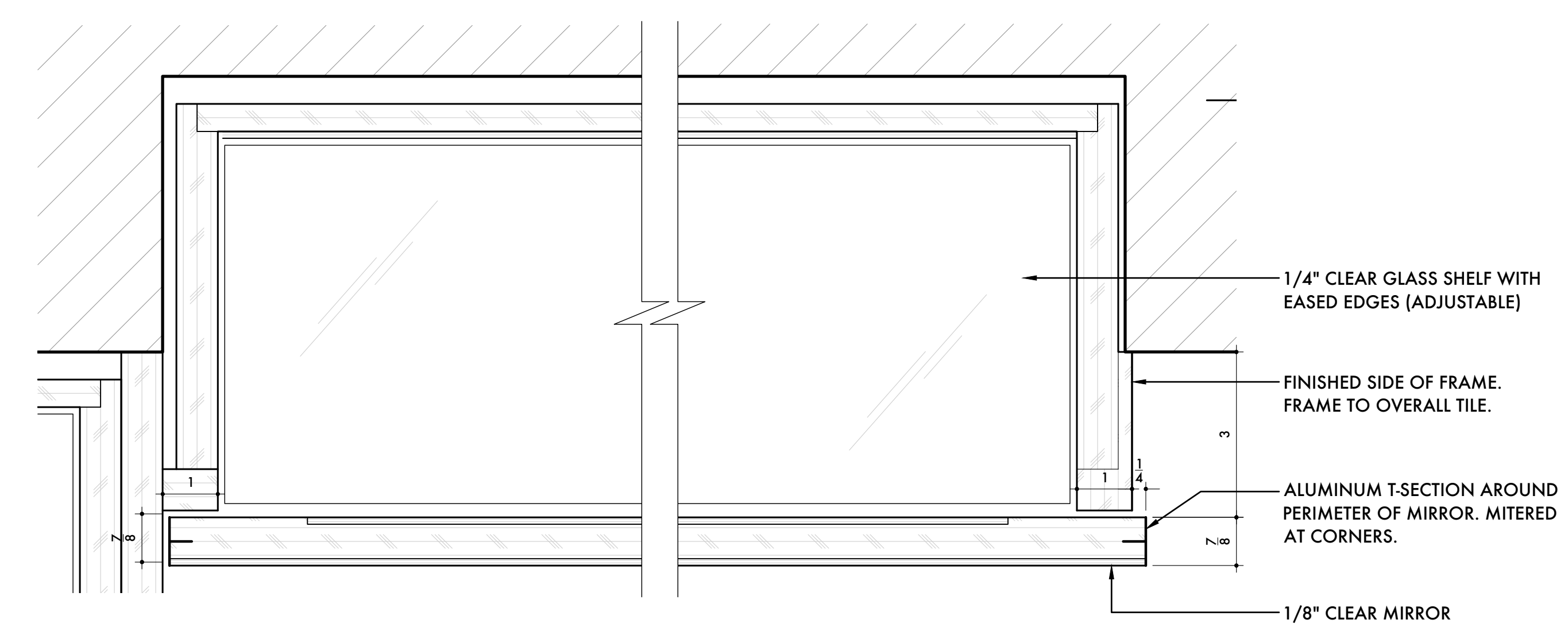


**05 BATHROOM: MEDICINE CABINET - SECTION**  
SCALE: 1-1/2" = 1'-0"

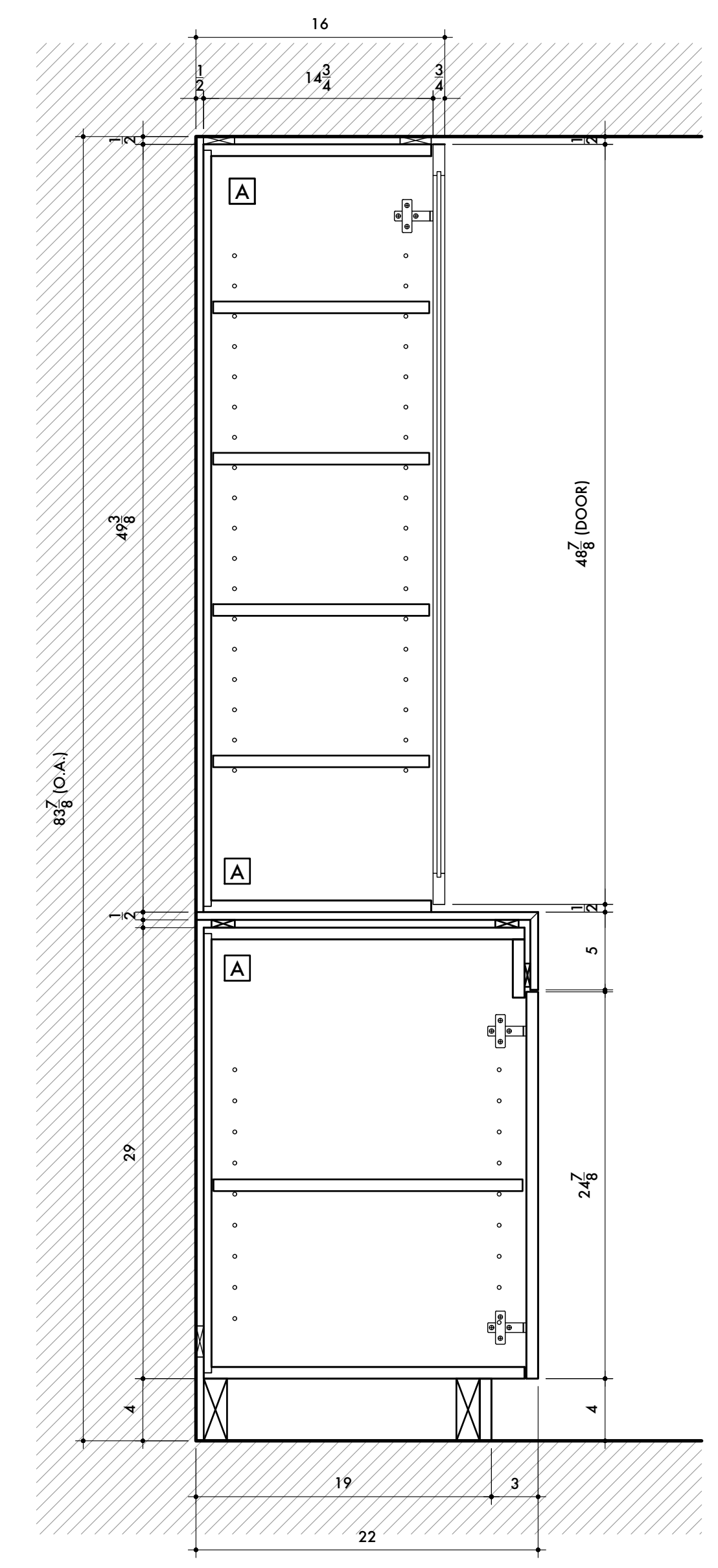
FINISH SCHEDULE	HARDWARE SCHEDULE	DRAWING RECORD	FIELD NOTES:	MILLWORKER:	TITLE:	A-1 SHEET 1 OF 2
A INTERIOR: PRE-FINISHED MAPLE PLYWOOD	1. DRAWERS: BLUM TANDEM PLUS (FULL EXTENSION).	1. 2023/12/21 - SUBMITTED FOR REVIEW		SMD CONSTRUCTION GROUP	BATHROOM: VANITY & M.C.	
E EXTERIOR: PLAIN SAWN WALNUT (SATIN POLYURETHANE FINISH)	2. HINGES: BLUM SELF CLOSING.			ARCHITECT:	PROJECT:	
F GLASS: 3/8" TEMPERED GLASS COVERED W/ 3M FASARA FILM (SAGANO FINISH)	3. ADJUSTABLE SHELVES ON CHROME PINS.			KIMOY STUDIOS	301 EAST 48TH STREET	
G GLASS: 3/8" CLEAR MIRROR	4. PULLS & HANDLES BY OTHERS.			DRAWN BY:	NEW YORK, NY 10017	
				NRDESIGN + DRAFTING		



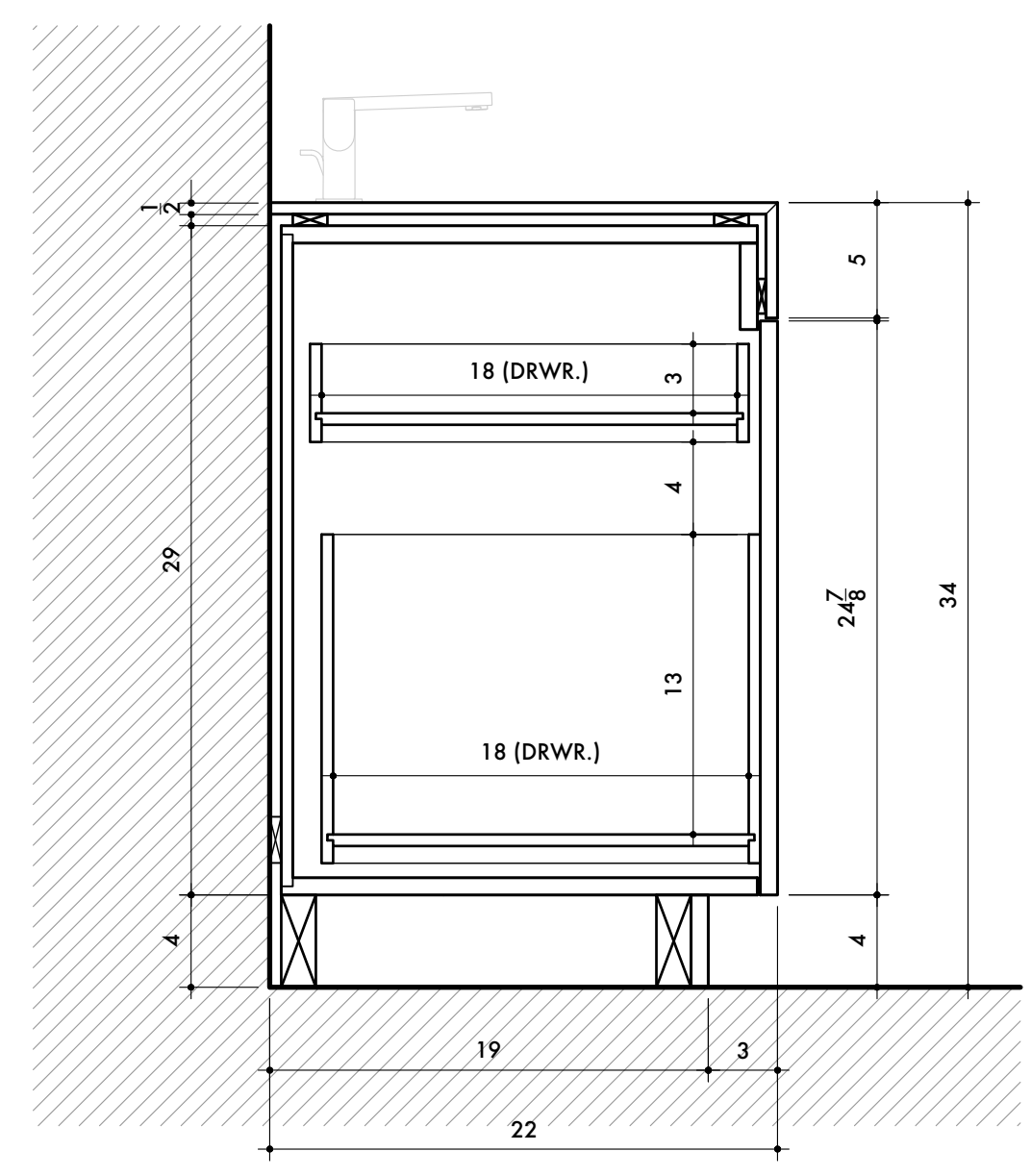
**08 BATHROOM: MEDICINE CABINET – SECTION DETAILS**  
SCALE: 6" = 1'-0"



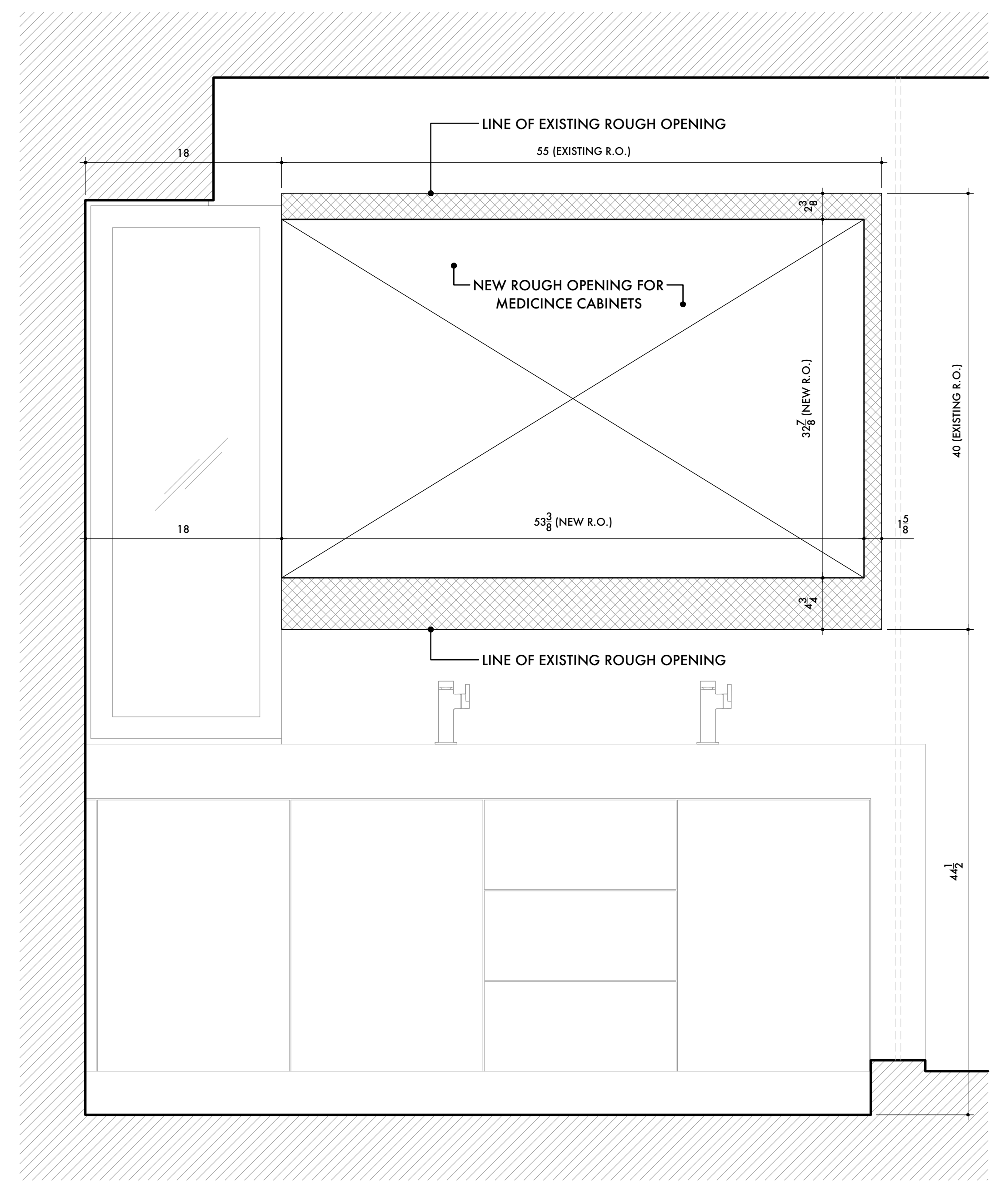
**12 BATHROOM: MEDICINE CABINET – PLAN DETAILS**  
SCALE: 6" = 1'-0"



**09 BATHROOM: MEDICINE CABINET – SECTION**  
SCALE: 1-1/2" = 1'-0"



**10 BATHROOM: MEDICINE CABINET – SECTION**  
SCALE: 1-1/2" = 1'-0"



**11 BATHROOM: M.C. ROUGH OPENING – DIAGRAM**  
SCALE: 1-1/2" = 1'-0"

FINISH SCHEDULE	
A	
E	
F	
G	

HARDWARE SCHEDULE	
1.	DRAWERS: BLUM TANDEM PLUS (FULL EXTENSION).
2.	HINGES: BLUM SELF CLOSING.
3.	ADJUSTABLE SHELVES ON CHROME PINS.
4.	PULLS & HANDLES BY OTHERS.

DRAWING RECORD	
1.	2023/12/21 - SUBMITTED FOR REVIEW

FIELD NOTES:	

MILLWORKER: SMD CONSTRUCTION GROUP	TITLE: BATHROOM: VANITY & M.C.
ARCHITECT: KIMOY STUDIOS	PROJECT: 301 EAST 48TH STREET NEW YORK, NY 10017
DRAWN BY: NRDESIGN + DRAFTING	