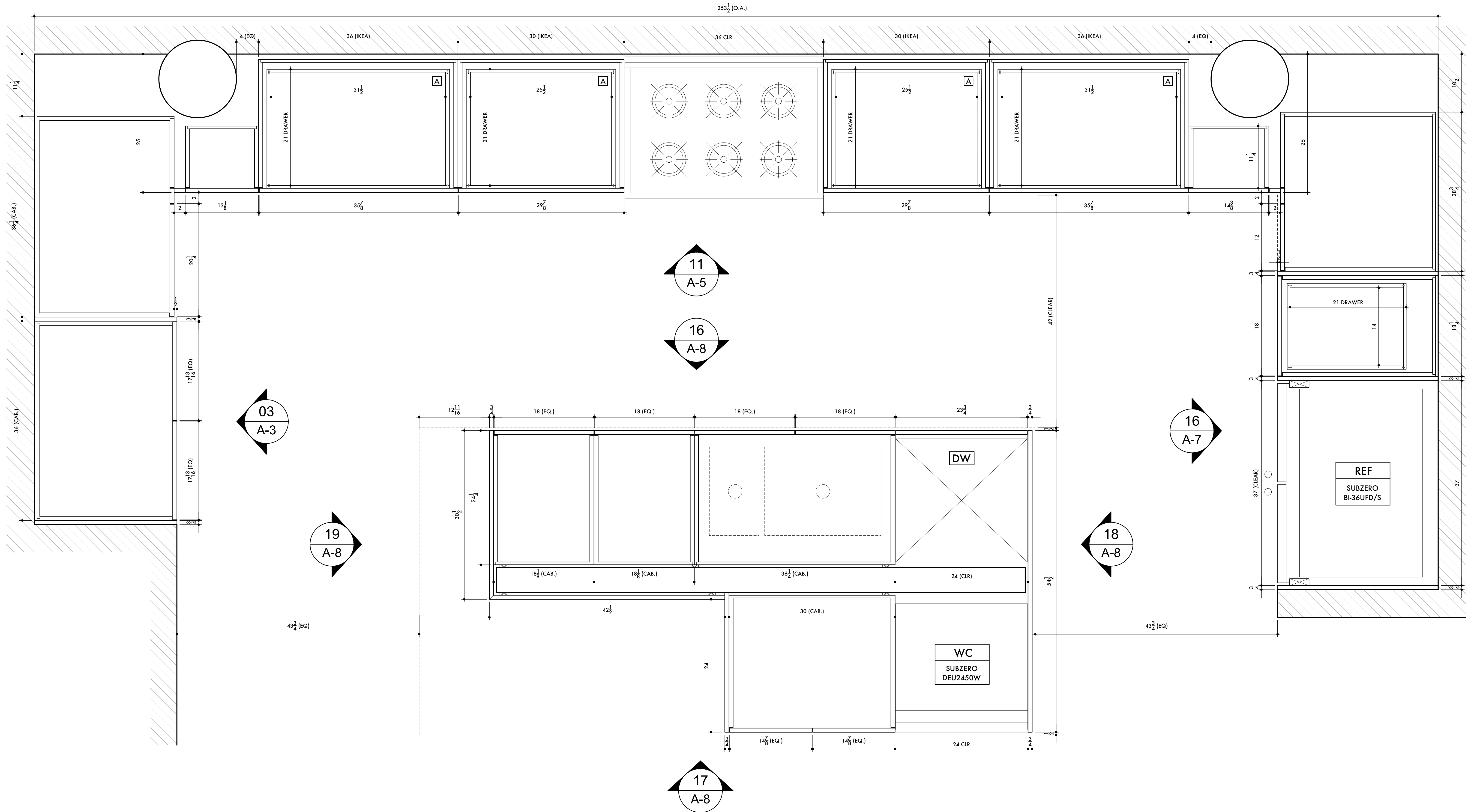


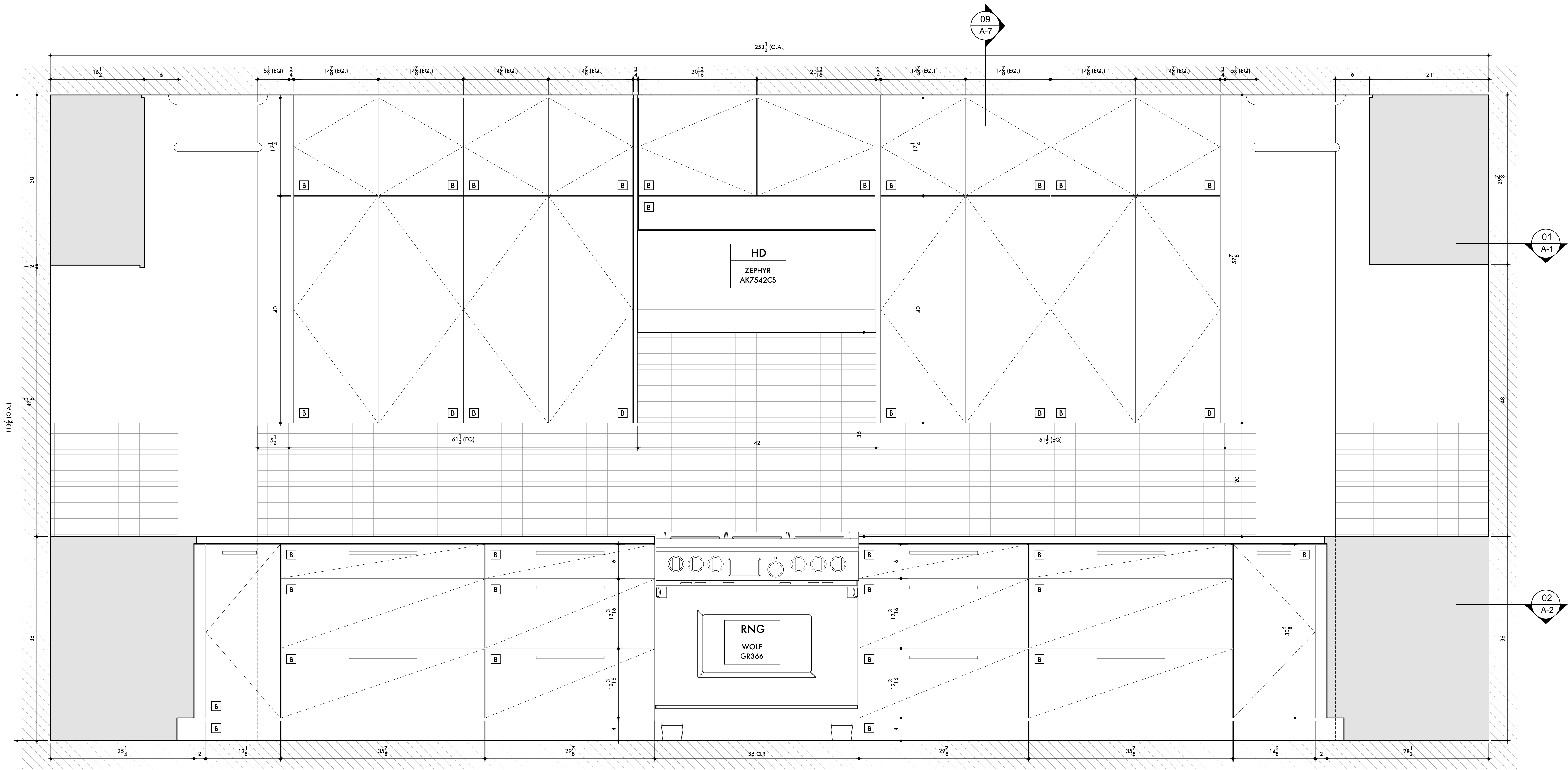
**01 KITCHEN: PLAN (UPPER CABINETS)**  
SCALE: 1-1/2" = 1'-0"

FINISH SCHEDULE	HARDWARE SCHEDULE	DRAWING RECORD	FIELD NOTES:	MILLWORKER:	TITLE:
A. INTERIOR: PRE-FINISHED MAPLE PLYWOOD	1. DRAWERS: BLUM TANDEM PLUS (FULL EXTENSION).	1. 2022/08/20 - SUBMITTED FOR REVIEW		SMD CONSTRUCTION GROUP	KITCHEN: PLAN
B. EXTERIOR: CATAYLZED SHOP FINISHED LACQUER (COLOR TBD)	2. HINGES: BLUM SELF CLOSING.			ARCHITECT:	PROJECT:
	3. ADJUSTABLE SHELVES ON CHROME PINS.			SPIELER BOEHMKE ARCHITECTS	116 W 14TH ST.
	4. PULLS & HANDLES BY OTHERS.			DRAWN BY:	NEW YORK, NY 10011
				NRDESIGN + DRAFTING	



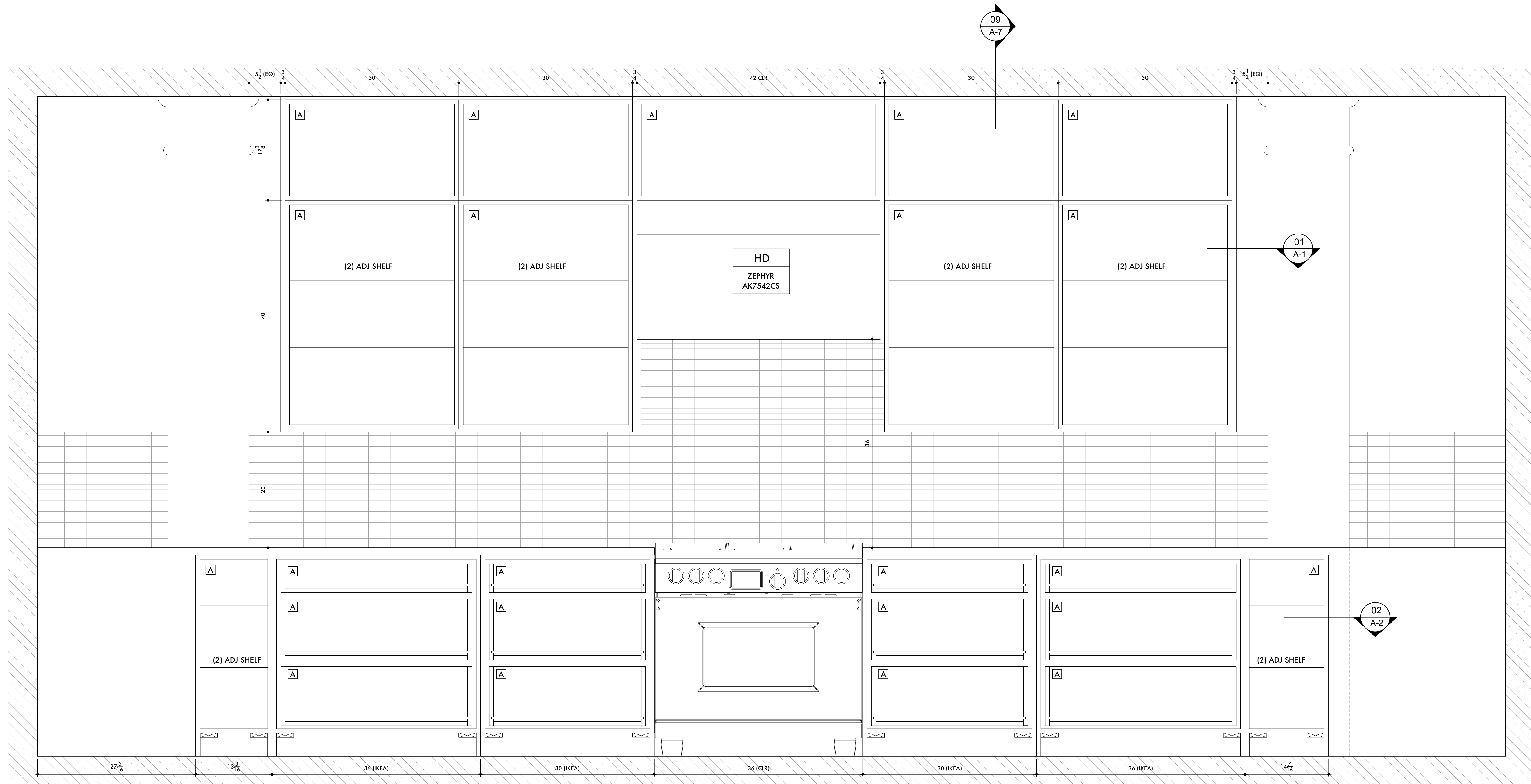
**02 KITCHEN: PLAN (LOWER CABINETS)**  
SCALE: 1-1/2" = 1'-0"

FINISH SCHEDULE	HARDWARE SCHEDULE	DRAWING RECORD	FIELD NOTES:	MILLWORKER:	TITLE:
A. INTERIOR: PRE-FINISHED MAPLE PLYWOOD	1. DRAWERS: BLUM TANDEM PLUS (FULL EXTENSION).	1. 2022/08/20 - SUBMITTED FOR REVIEW		SMD CONSTRUCTION GROUP	KITCHEN: PLAN (LOWER)
B. EXTERIOR: CATAYLZED SHOP FINISHED LACQUER (COLOR TBD)	2. HINGES: BLUM SELF CLOSING.			ARCHITECT:	PROJECT:
	3. ADJUSTABLE SHELVES ON CHROME PINS.			SPIELER BOEHMKE ARCHITECTS	116 W 14TH ST.
	4. PULLS & HANDLES BY OTHERS.			DRAWN BY:	NEW YORK, NY 10011
				NRDESIGN + DRAFTING	



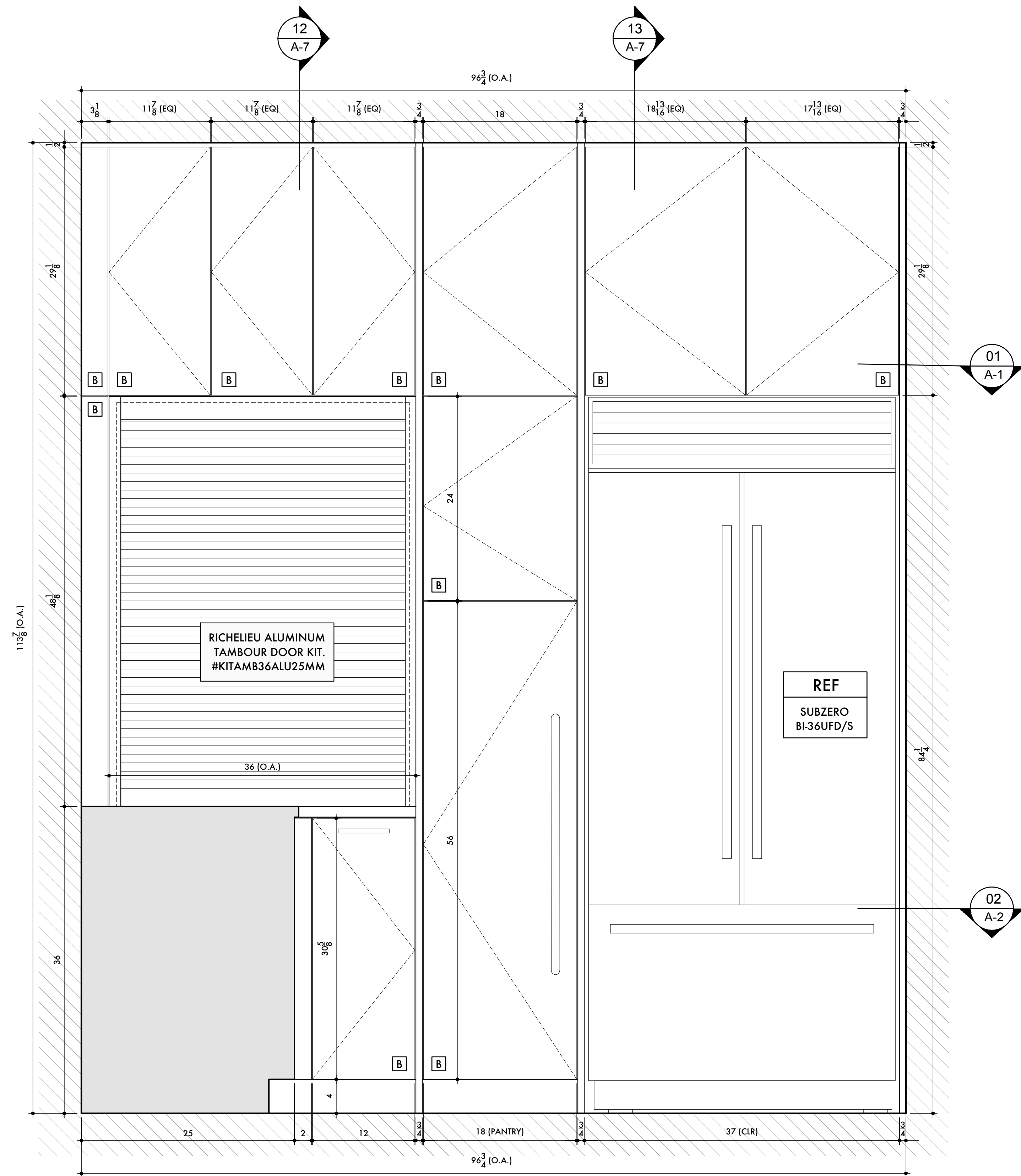
**03 KITCHEN: NORTH WALL (CLOSED)**  
SCALE: 1-1/2" = 1'-0"

FINISH SCHEDULE	HARDWARE SCHEDULE	DRAWING RECORD	FIELD NOTES:	MILLWORKER:	TITLE:
A. INTERIOR: PRE-FINISHED MAPLE PLYWOOD	1. DRAWERS: BLUM TANDEM PLUS (FULL EXTENSION).	1. 2022/08/20 - SUBMITTED FOR REVIEW		SMD CONSTRUCTION GROUP	KITCHEN: NORTH (CLOSED)
B. EXTERIOR: CATAYLZED SHOP FINISHED LACQUER (COLOR TBD)	2. HINGES: BLUM SELF CLOSING.			ARCHITECT:	PROJECT:
	3. ADJUSTABLE SHELVES ON CHROME PINS.			SPIELER BOEHMKE ARCHITECTS	116 W 14TH ST.
	4. PULLS & HANDLES BY OTHERS.			DRAWN BY:	NEW YORK, NY 10011
				NRDESIGN + DRAFTING	SHEET 3 OF 7

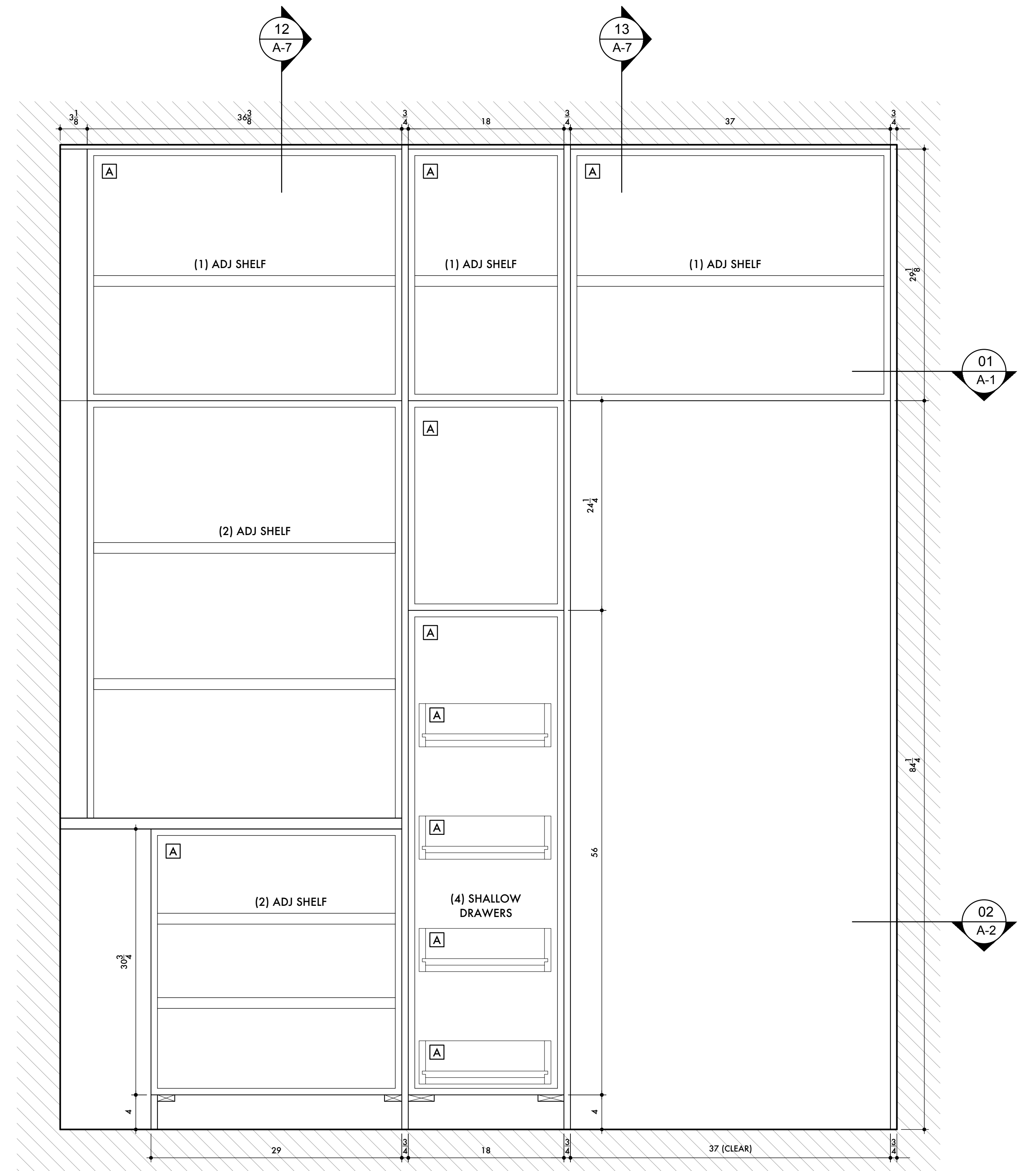


**04 KITCHEN: NORTH WALL (OPEN)**  
 SCALE: 1-1/2" = 1'-0"

FINISH SCHEDULE	HARDWARE SCHEDULE	DRAWING RECORD	FIELD NOTES:	MILLWORKER:	TITLE:
A. INTERIOR: PRE-FINISHED MAPLE PLYWOOD	1. DRAWERS: BLUM TANDEM PLUS (FULL EXTENSION).	1. 2022/08/20 - SUBMITTED FOR REVIEW		SMD CONSTRUCTION GROUP	KITCHEN: NORTH (OPEN)
B. EXTERIOR: CATAYLZED SHOP FINISHED LACQUER (COLOR TBD)	2. HINGES: BLUM SELF CLOSING.			ARCHITECT:	PROJECT:
	3. ADJUSTABLE SHELVES ON CHROME PINS.			SPIELER BOEHMKE ARCHITECTS	116 W 14TH ST.
	4. PULLS & HANDLES BY OTHERS.			DRAWN BY:	NEW YORK, NY 10011
				NRDESIGN + DRAFTING	SHEET 4 OF 7



**05 KITCHEN: EAST WALL (CLOSED)**  
SCALE: 1-1/2" = 1'-0"



**06 KITCHEN: EAST WALL (OPEN)**  
SCALE: 1-1/2" = 1'-0"

**FINISH SCHEDULE**

A. INTERIOR: PRE-FINISHED MAPLE PLYWOOD  
B. EXTERIOR: CATAYLZED SHOP FINISHED LACQUER (COLOR TBD)

**HARDWARE SCHEDULE**

1. DRAWERS: BLUM TANDEM PLUS (FULL EXTENSION).  
2. HINGES: BLUM SELF CLOSING.  
3. ADJUSTABLE SHELVES ON CHROME PINS.  
4. PULLS & HANDLES BY OTHERS.

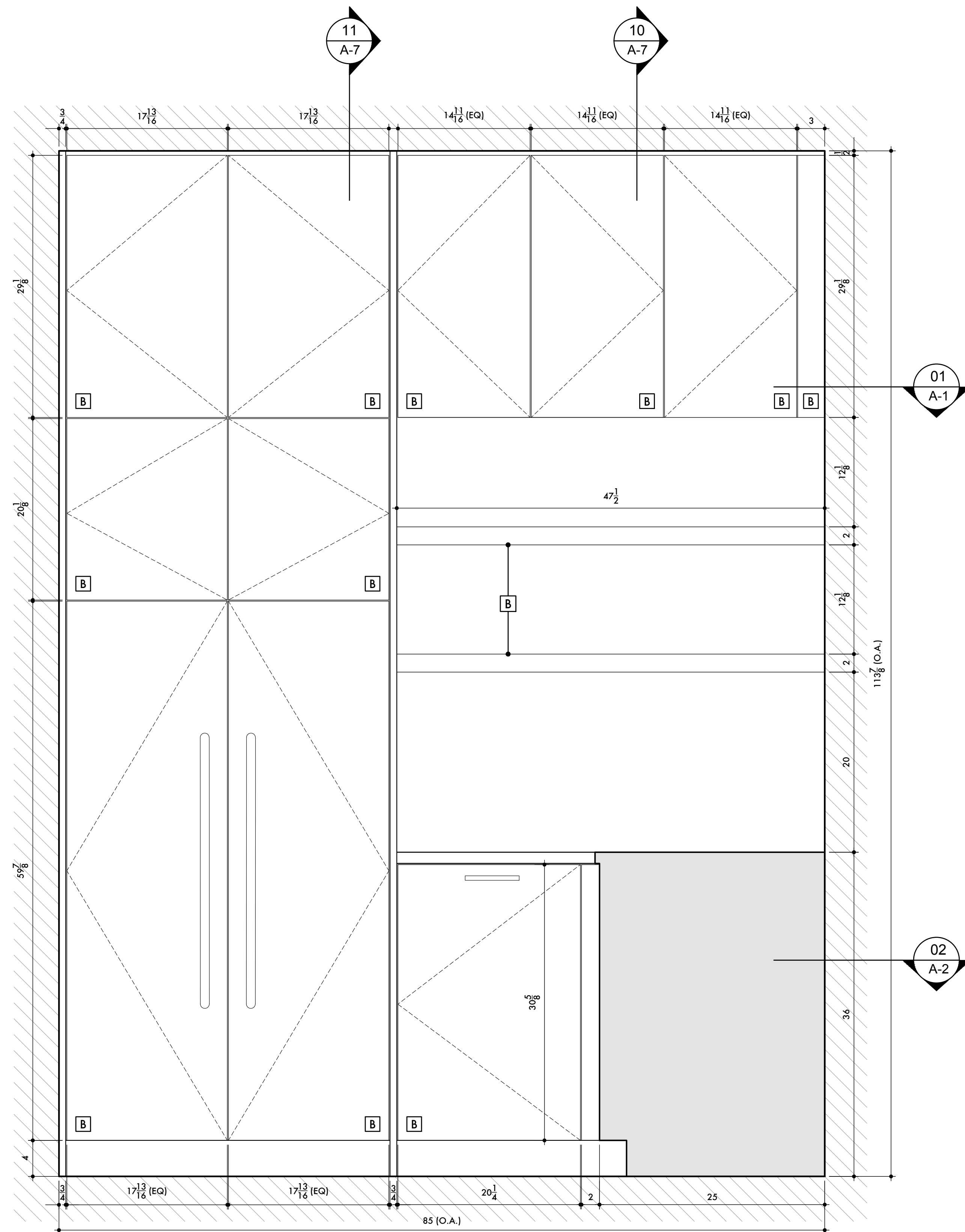
**DRAWING RECORD**

1. 2022/08/20 - SUBMITTED FOR REVIEW

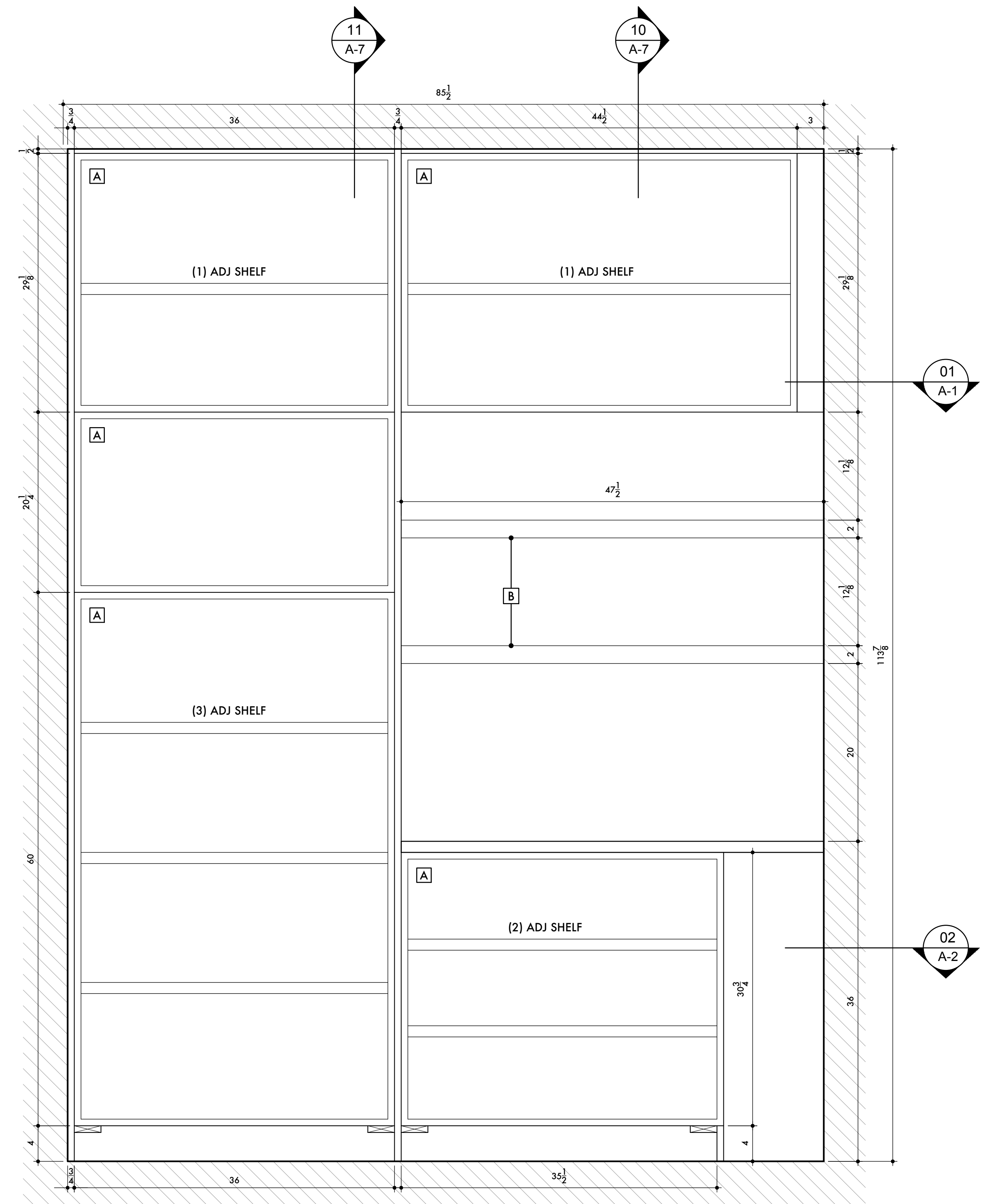
**FIELD NOTES:**

MILLWORKER:  
SMD CONSTRUCTION GROUP  
ARCHITECT:  
SPIELER BOEHMKE ARCHITECTS  
DRAWN BY:  
NRDESIGN + DRAFTING

TITLE:  
KITCHEN: EAST (ELEVATIONS)  
PROJECT:  
116 W 14TH ST.  
NEW YORK, NY 10011



**07 KITCHEN: WEST WALL (CLOSED)**  
SCALE: 1-1/2" = 1'-0"



**08 KITCHEN: WEST WALL (OPEN)**  
SCALE: 1-1/2" = 1'-0"

**FINISH SCHEDULE**

A. INTERIOR: PRE-FINISHED MAPLE PLYWOOD  
B. EXTERIOR: CATAYLZED SHOP FINISHED LACQUER (COLOR TBD)

**HARDWARE SCHEDULE**

1. DRAWERS: BLUM TANDEM PLUS (FULL EXTENSION).  
2. HINGES: BLUM SELF CLOSING.  
3. ADJUSTABLE SHELVES ON CHROME PINS.  
4. PULLS & HANDLES BY OTHERS.

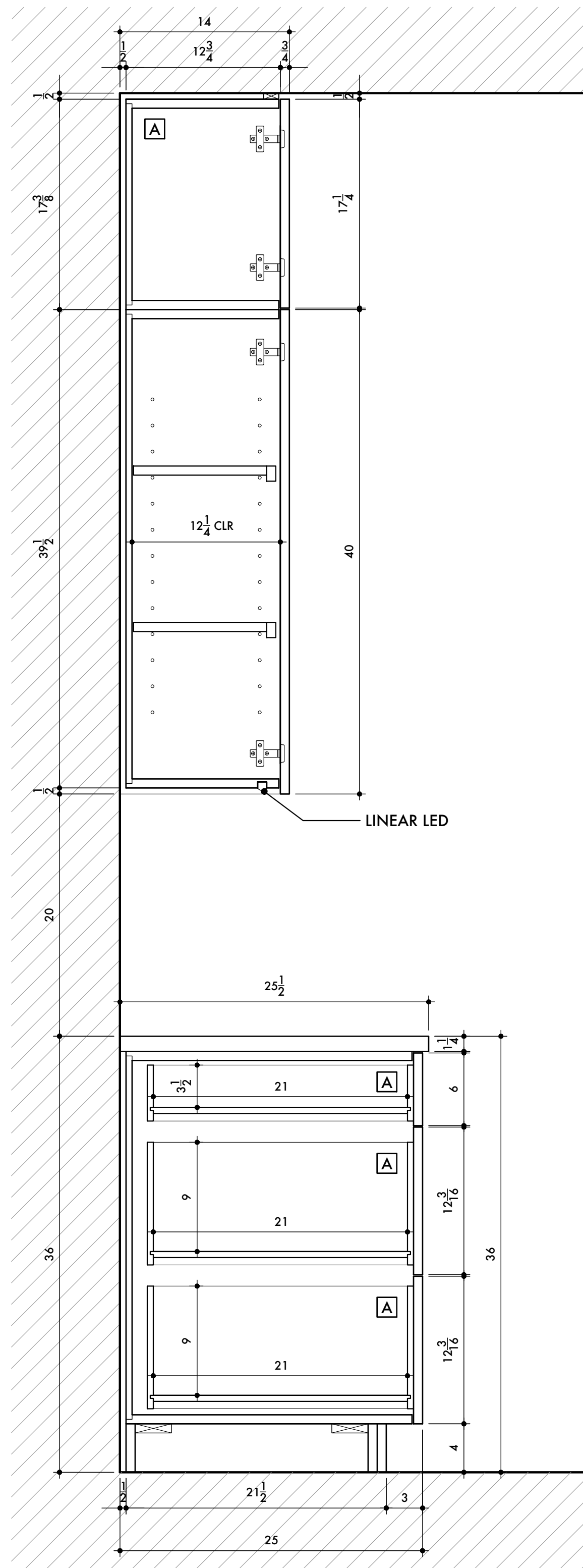
**DRAWING RECORD**

1. 2022/08/20 - SUBMITTED FOR REVIEW

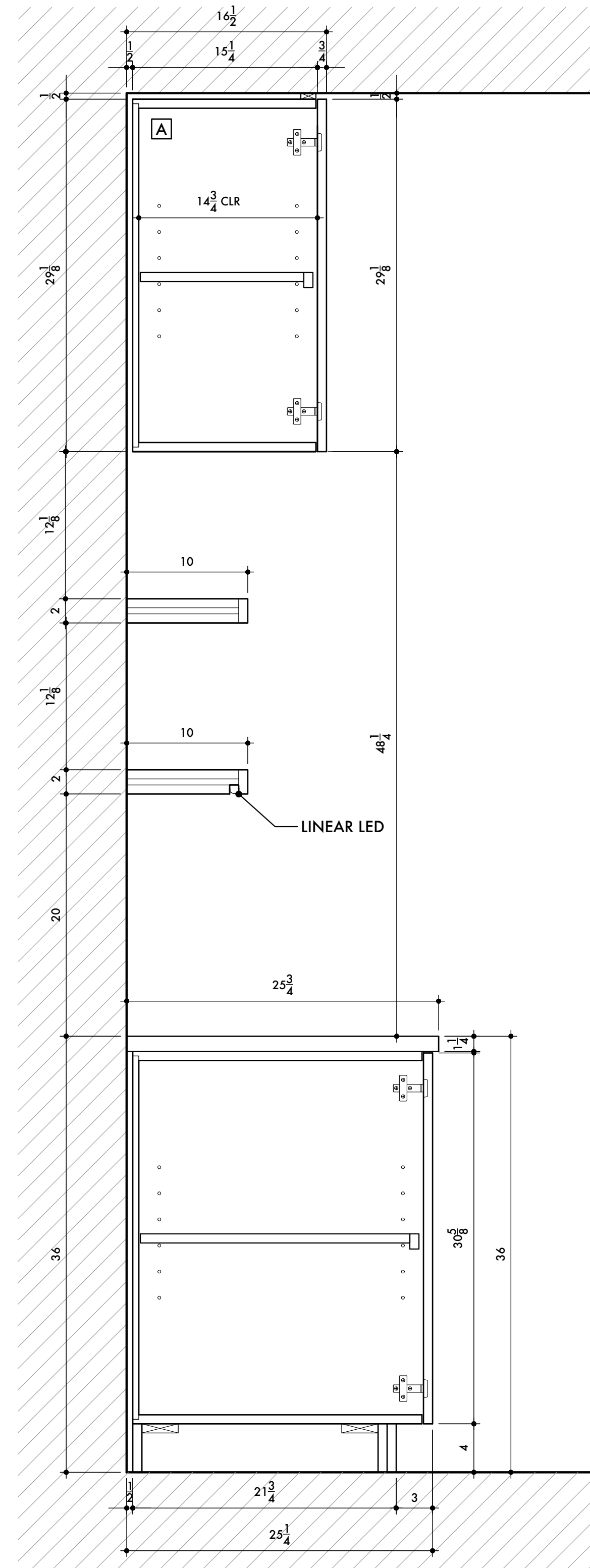
**FIELD NOTES:**

MILLWORKER:  
SMD CONSTRUCTION GROUP  
ARCHITECT:  
SPIELER BOEHMKE ARCHITECTS  
DRAWN BY:  
NRDESIGN + DRAFTING

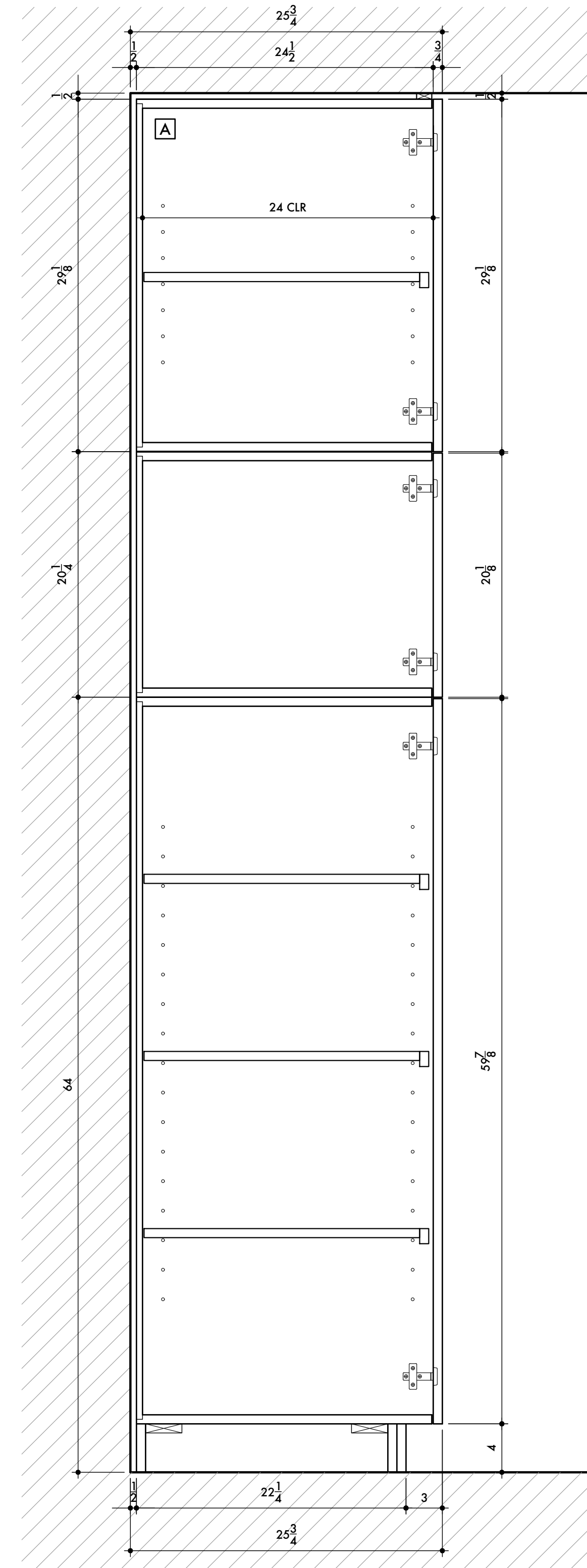
TITLE:  
KITCHEN: WEST (ELEVATIONS)  
PROJECT:  
116 W 14TH ST.  
NEW YORK, NY 10011



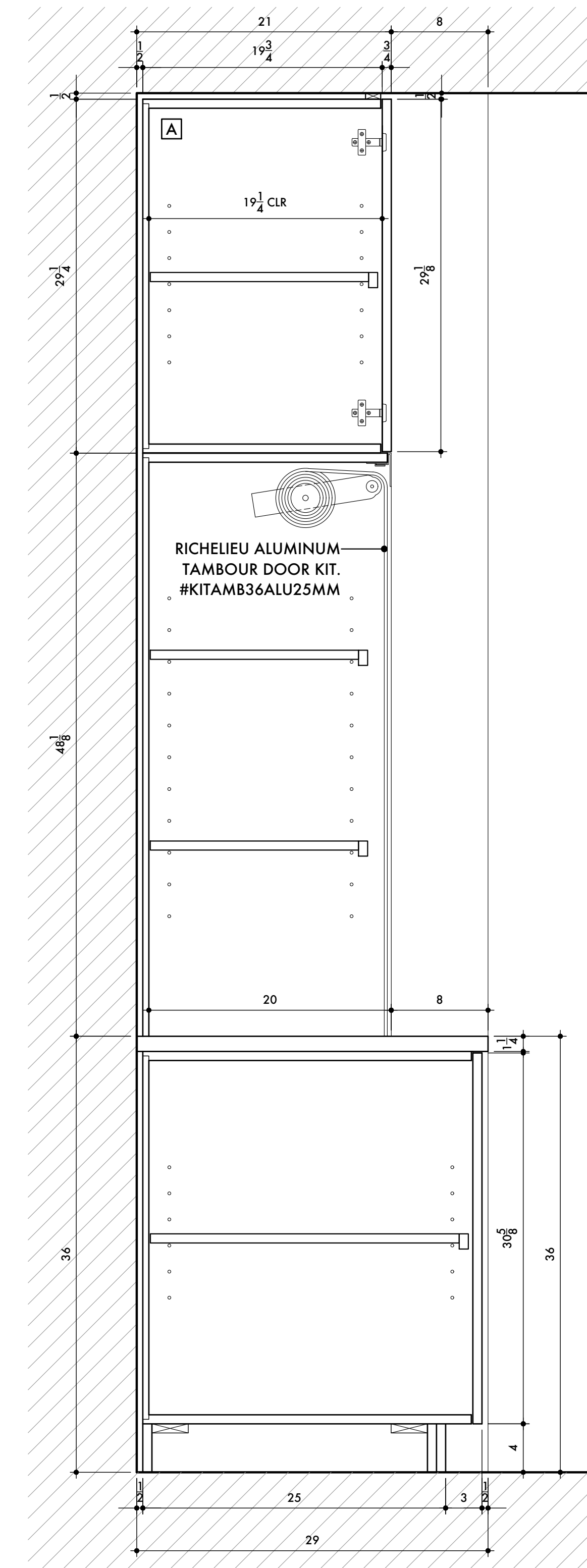
**09 KITCHEN: NORTH WALL (SECTION A)**  
SCALE: 1-1/2" = 1'-0"



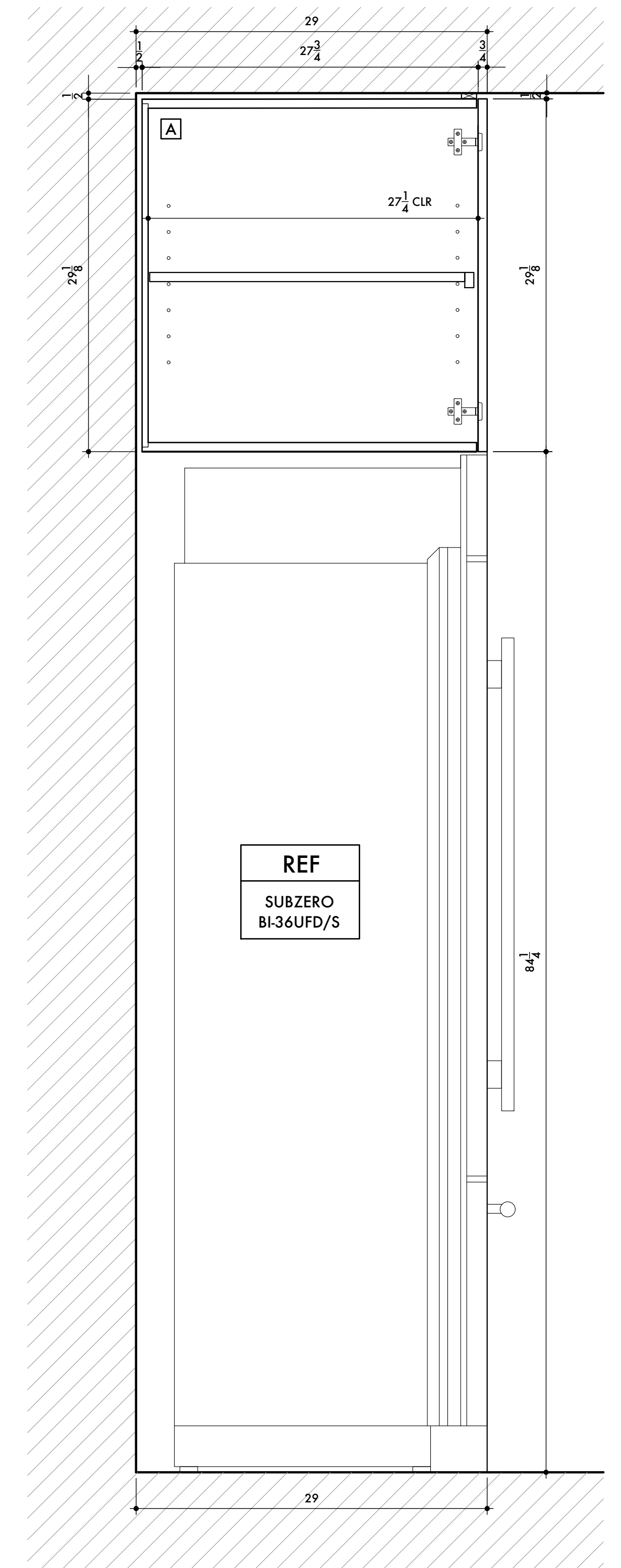
**10 KITCHEN: WEST WALL (SECTION A)**  
SCALE: 1-1/2" = 1'-0"



**11 KITCHEN: WEST WALL (SECTION B)**  
SCALE: 1-1/2" = 1'-0"



**12 KITCHEN: EAST WALL (SECTION A)**  
SCALE: 1-1/2" = 1'-0"



**13 KITCHEN: EAST WALL (SECTION B)**  
SCALE: 1-1/2" = 1'-0"

**FINISH SCHEDULE**

- A. INTERIOR: PRE-FINISHED MAPLE PLYWOOD
- C. EXTERIOR: CATAYLZED SHOP FINISHED LACQUER (COLOR TBD)

**HARDWARE SCHEDULE**

- 1. DRAWERS: BLUM TANDEM PLUS (FULL EXTENSION).
- 2. HINGES: BLUM SELF CLOSING.
- 3. ADJUSTABLE SHELVES ON CHROME PINS.
- 4. PULLS & HANDLES BY OTHERS.

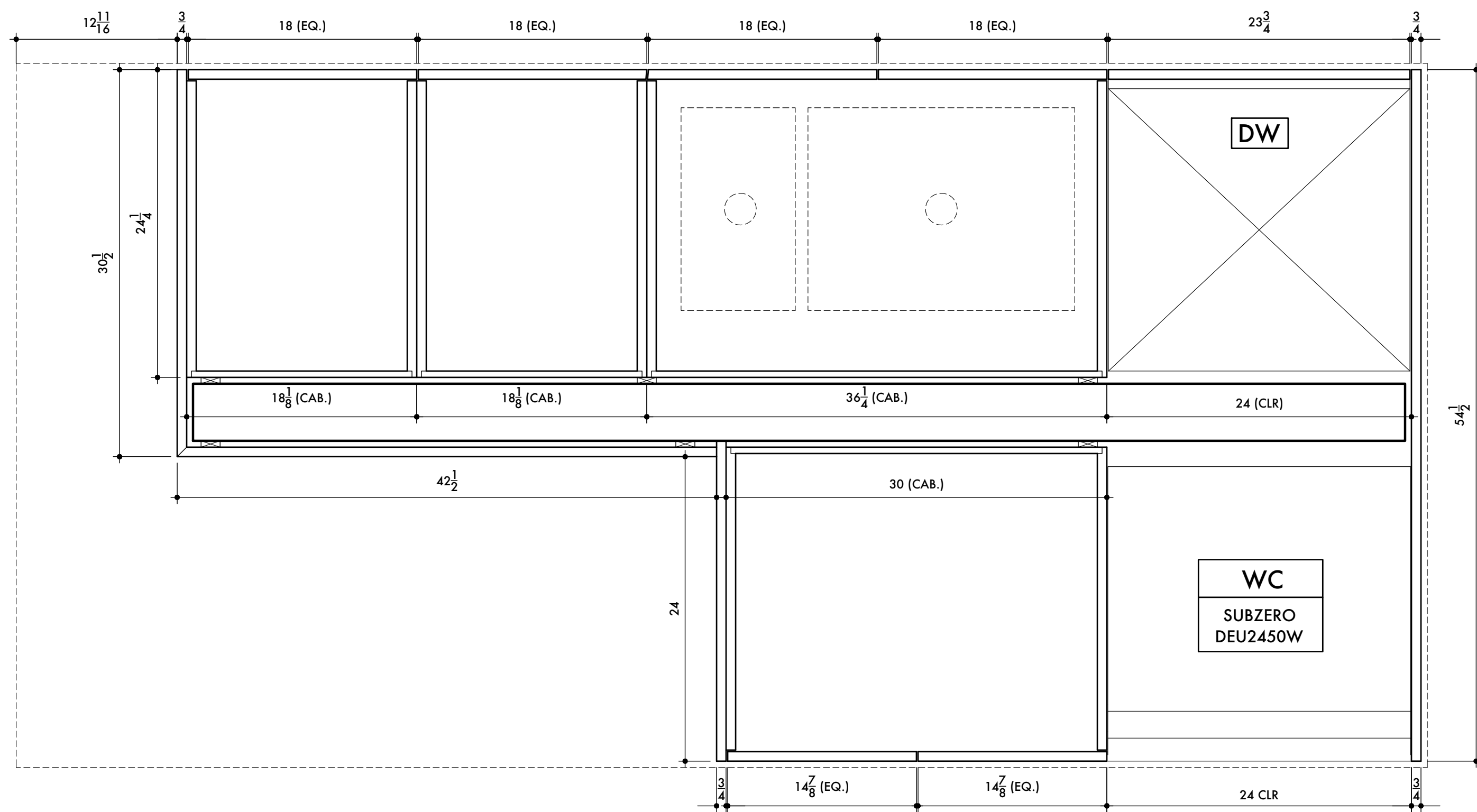
**DRAWING RECORD**

- 1. 2022/08/20 - SUBMITTED FOR REVIEW

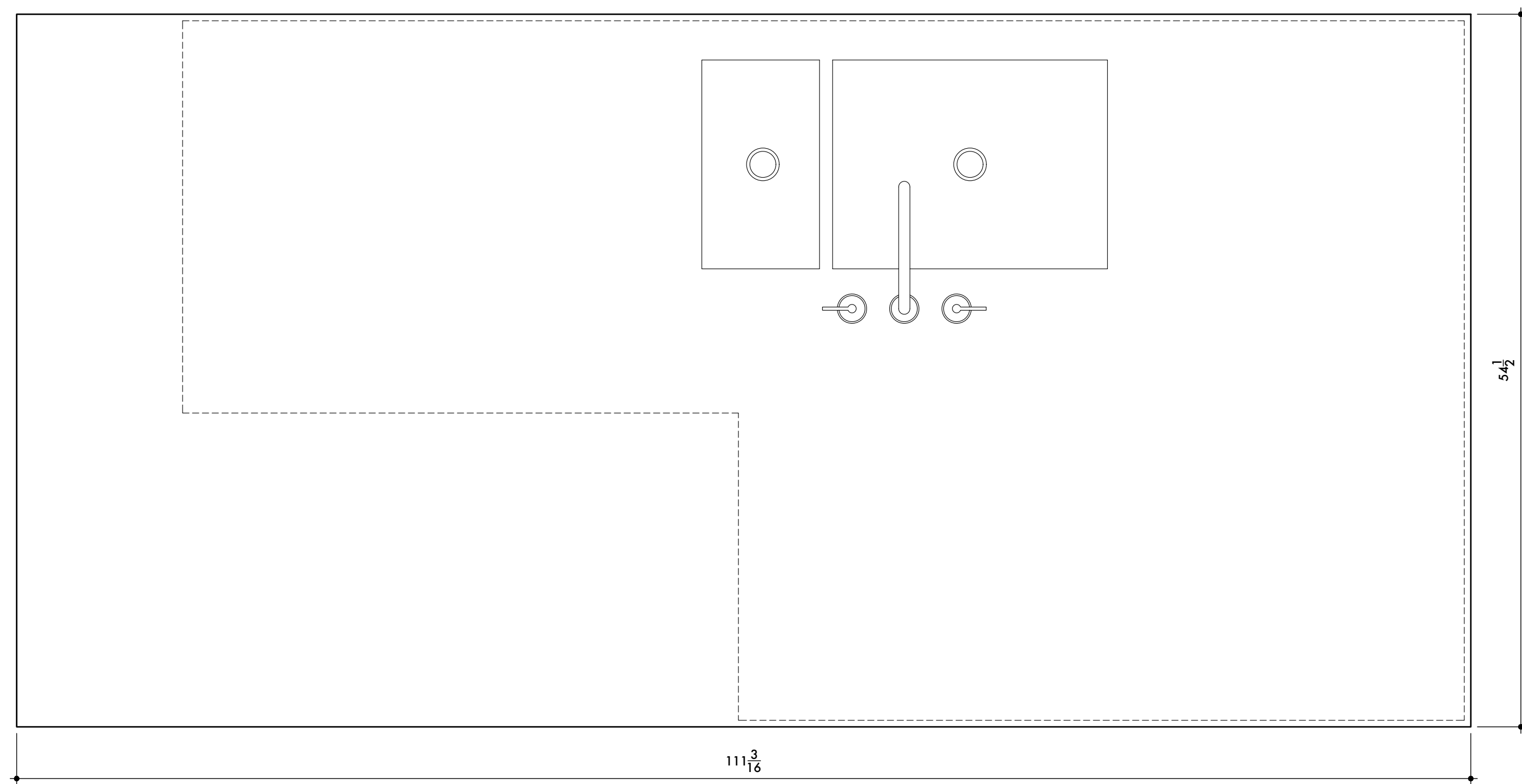
**FIELD NOTES:**

MILLWORKER:  
SMD CONSTRUCTION GROUP  
ARCHITECT:  
SPIELER BOEHMKE ARCHITECTS  
DRAWN BY:  
NRDESIGN + DRAFTING

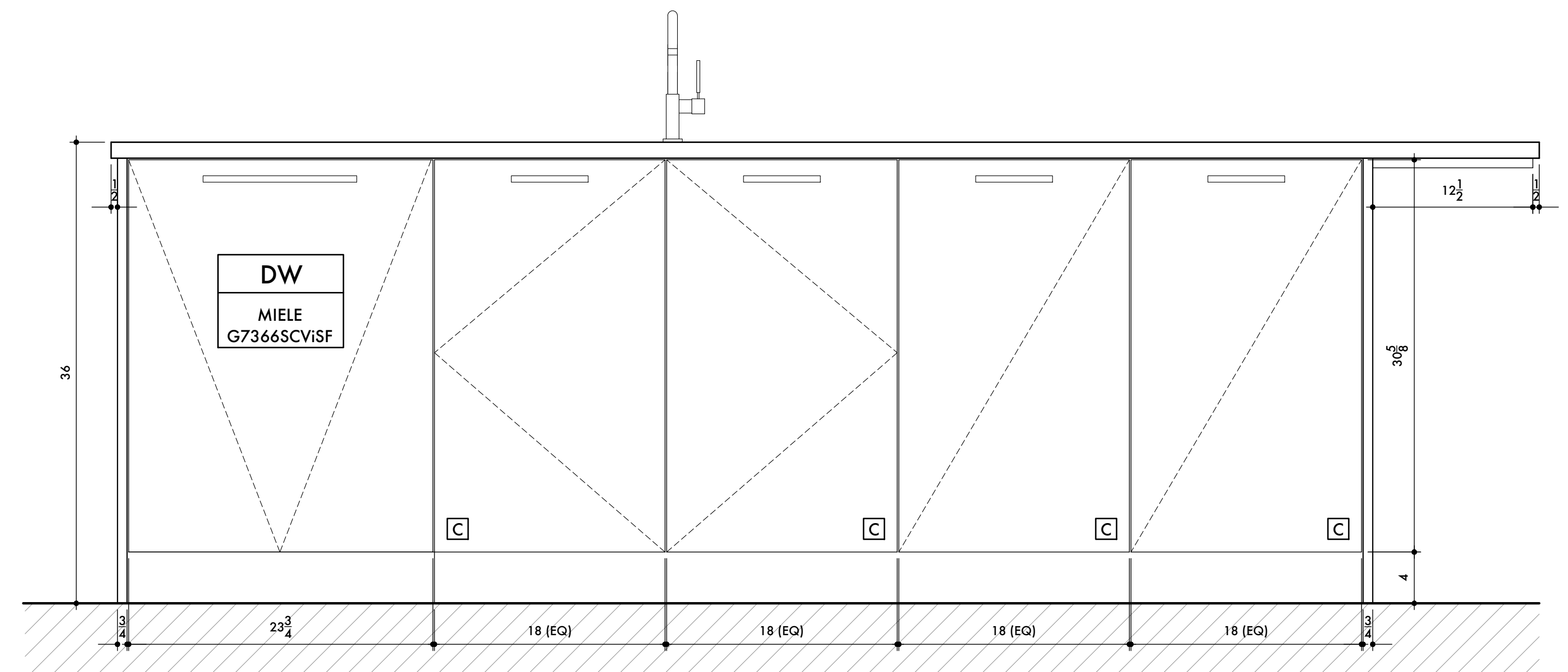
TITLE:  
KITCHEN: ISLAND  
PROJECT:  
116 W 14TH ST.  
NEW YORK, NY 10011



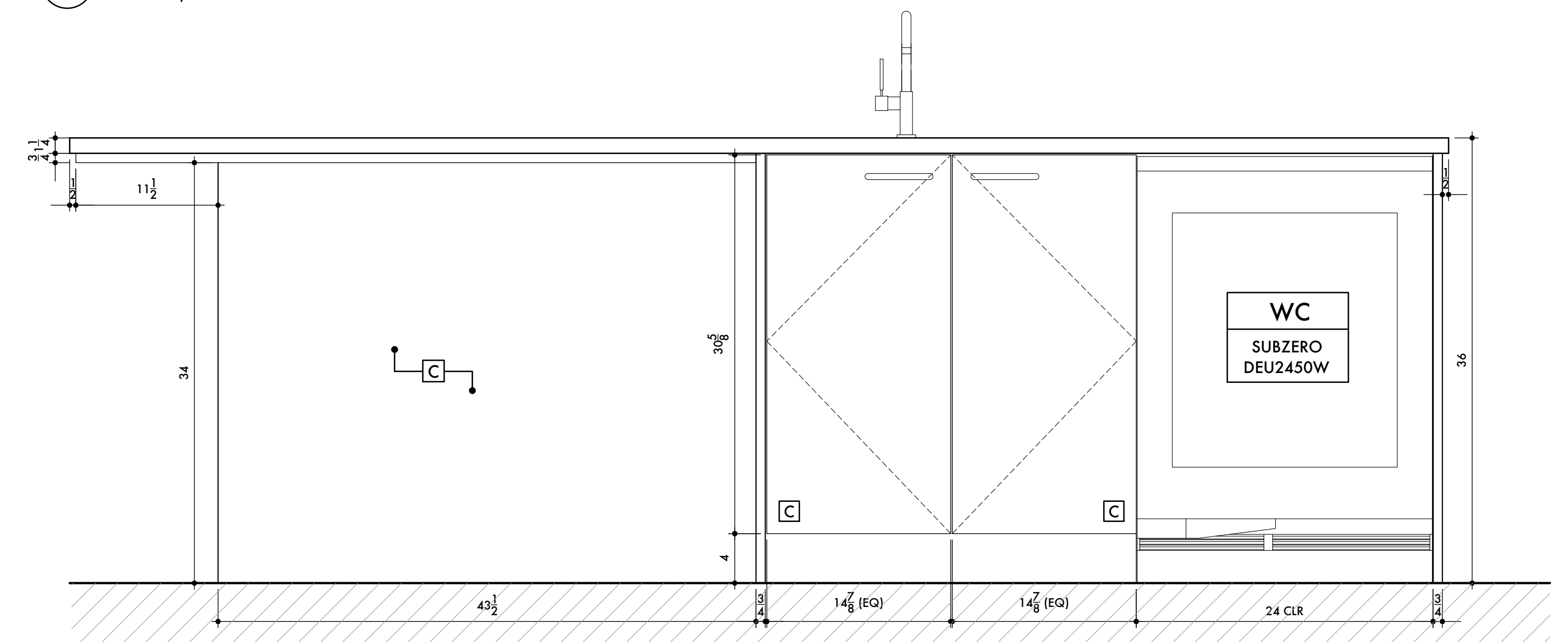
15 **KITCHEN: ISLAND (PLAN)**  
SCALE: 1-1/2" = 1'-0"



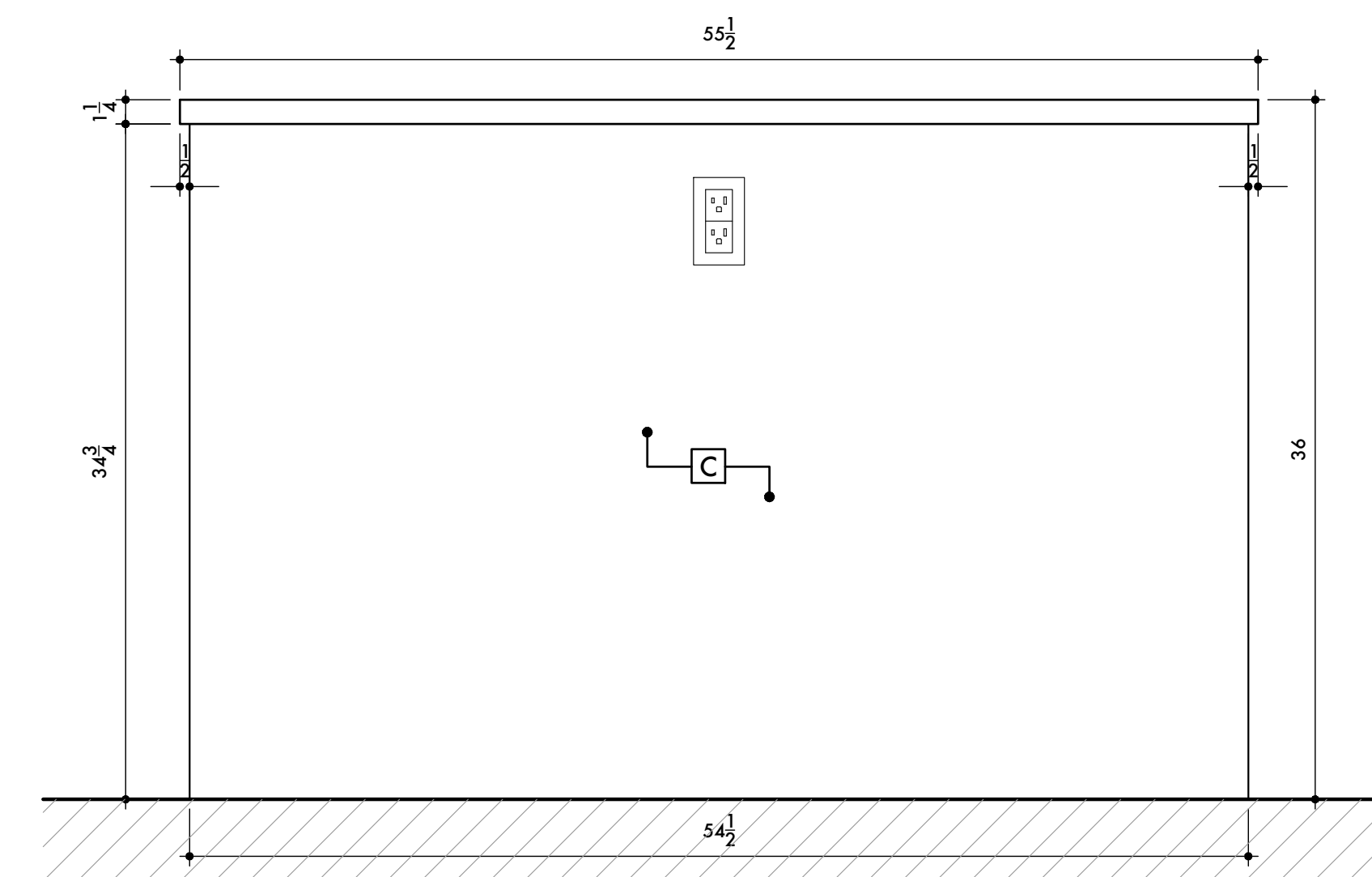
14 **KITCHEN: ISLAND (COUNTERTOP)**  
SCALE: 1-1/2" = 1'-0"



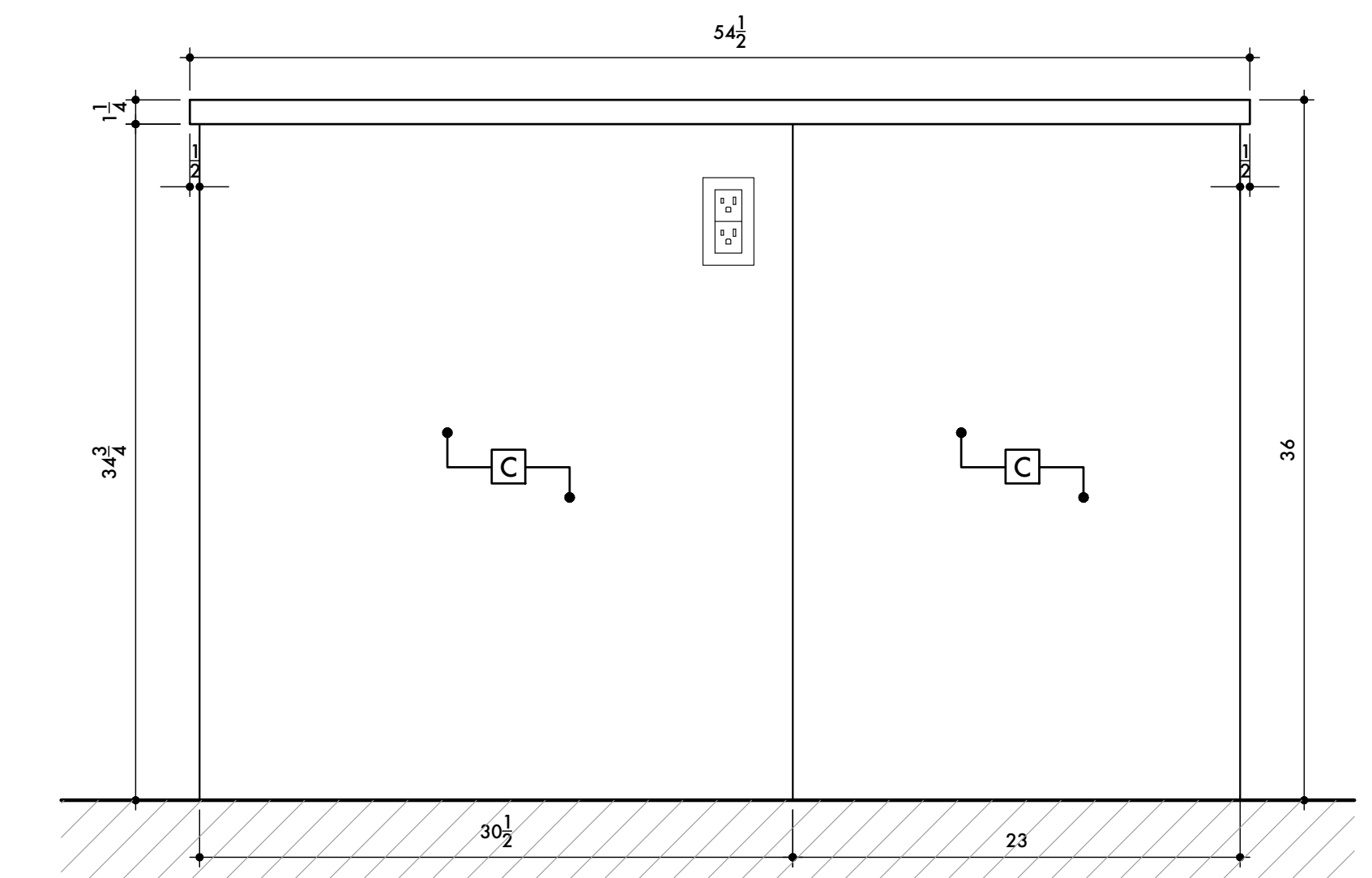
16 **KITCHEN: ISLAND (NORTH)**  
SCALE: 1-1/2" = 1'-0"



17 **KITCHEN: ISLAND (SOUTH)**  
SCALE: 1-1/2" = 1'-0"



18 **KITCHEN: ISLAND (EAST)**  
SCALE: 1-1/2" = 1'-0"



19 **KITCHEN: ISLAND (WEST)**  
SCALE: 1-1/2" = 1'-0"

FINISH SCHEDULE	HARDWARE SCHEDULE	DRAWING RECORD	FIELD NOTES:	MILLWORKER:	TITLE:
A. INTERIOR: PREFINISHED MAPLE PLYWOOD	1. DRAWERS: BLUM TANDEM PLUS (FULL EXTENSION).	1. 2022/08/20 - SUBMITTED FOR REVIEW		SMD CONSTRUCTION GROUP	BATHROOM: VANITY
C. EXTERIOR: CATAYLZED SHOP FINISHED LACQUER (COLOR TBD)	2. HINGES: BLUM SELF CLOSING.			ARCHITECT:	PROJECT:
	3. ADJUSTABLE SHELVES ON CHROME PINS.			KIMOY STUDIOS	20 WEST 72ND STREET
	4. PULLS & HANDLES BY OTHERS.			DRAWN BY:	NEW YORK, NY 10023
				NRDESIGN + DRAFTING	